



**Features**

- Stainless steel coupling nut
- Gold-plated and machined contacts
- Degree of protection: IP67 / IP68 / IP69K

**Technical data**

Number of pins	3	4	5
<b>Electrical data</b>			
Operating voltage $U_b$	Max. 250 V AC/DC		Max. 60 V AC/DC
Testing voltage	> 1500 V <sub>eff</sub> AC		
Operating current	Max. 4 A		
Volume resistance	< 5 mΩ		
<b>Ambient conditions</b>			
Ambient temperature	-40 ... 90 °C for body Information on cable quality can be found beginning on page 10		
Degree of pollution	3		
<b>Mechanical data</b>			
Contact elements	Spring-loaded contact sockets		
Degree of protection	IP67 / IP68 / IP69K		
<b>Material</b>			
Contacts	CuSn / Au		
Contact surface	Au		
Body	TPU, green		
Coupling nut	Stainless steel AISI 316L		
<b>Approvals and certificates of compliance</b>			
UL file number	E231213 Prerequisite for UL approval is the use of a UL-approved cable quality.		

Sensor-actuator cable

Field-attachable connectors

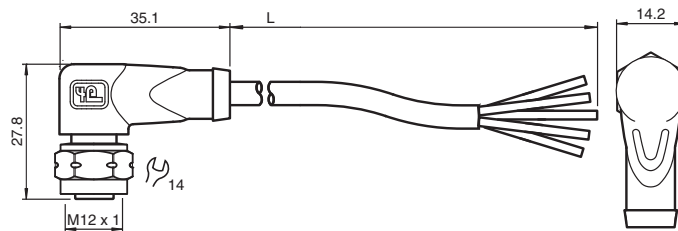
Junction blocks

Sensor-actuator splitters

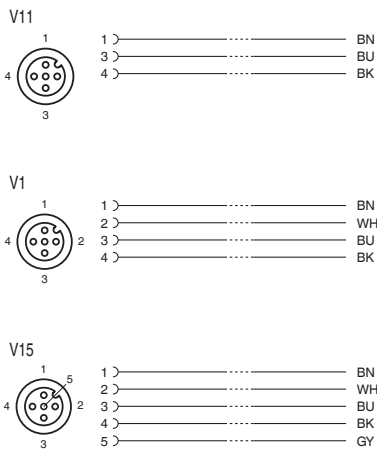
Sensor-actuator receptacles

Data connectors

**Dimensions**



**Electrical connection**



**Order codes**

Cable lengths in m  
0.3 to 50

V . . - W V 4 A - . . . M - . . . .

**Cable quality**

- PVC	PVC, gray (0.34 mm <sup>2</sup> )	● ● ●
BK PVC-U	PVC, UL-approved, black (0.34 mm <sup>2</sup> )	○ ○ -
YE PVC-U	PVC, UL-approved, yellow (0.34 mm <sup>2</sup> )	○ ○ -
- PUR	PUR, halogen-free, gray (0.34 mm <sup>2</sup> )	○ ○ ○
BK PUR-U	PUR, halogen-free, UL-approved, black (0.34 mm <sup>2</sup> )	○ ○ -
YE PUR-U	PUR, halogen-free, UL-approved, yellow (0.34 mm <sup>2</sup> )	○ ○ -

● Standard, cable lengths of 2 m, 5 m and 10 m available in stock  
○ Available, minimum order quantity applies in some cases  
- Not available

**Number of pins**

V11 3-pin  
V1 4-pin  
V15 5-pin