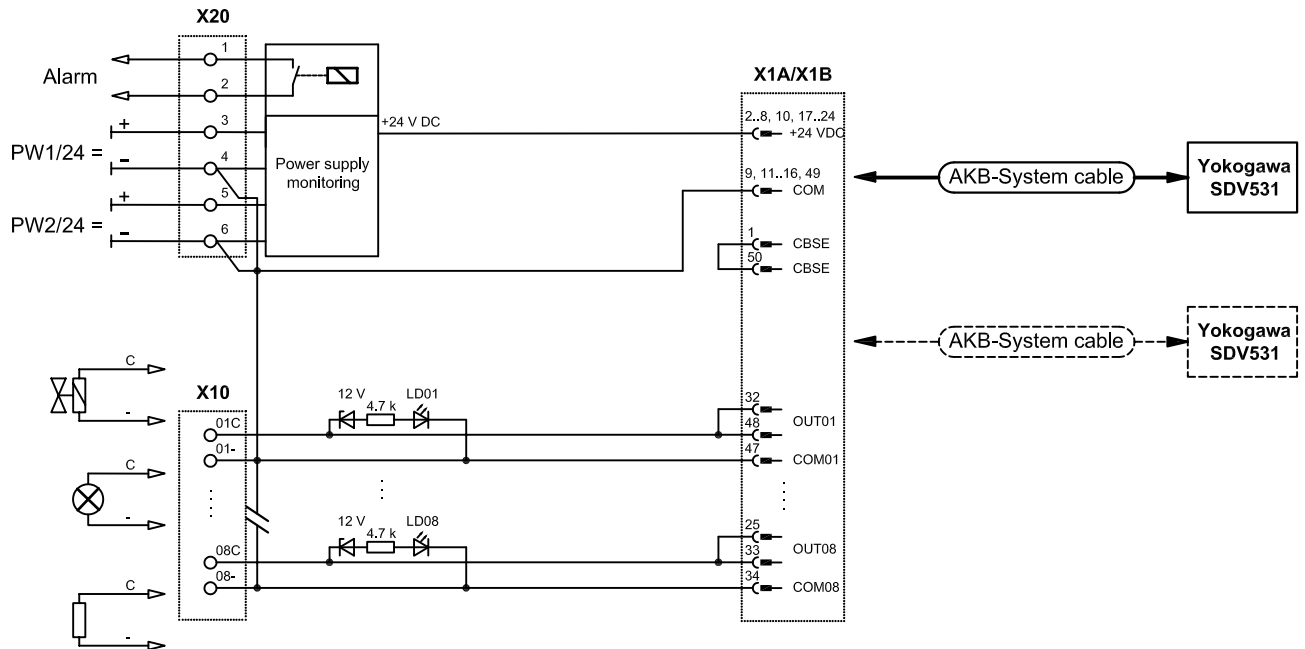


**Technical Description**

Field termination: X10	Pressure clamp terminal AWG14...24	DO 24 V DC / 0,6 A max.
System connector: X1A, X1B	50 pin male YO50	DO
Power feed: X20.3 ... 6	Redundant Power feed	24 V DC / 5 A, max. 6,3 A
Alarm: X20.1, X20.2	Power Alarm	Relay contact max. 30 V AC, 40 V DC, 2 A
F150; 151	Power feed fuse	6,3 A
X20	6 pin screw terminal (removable)	Power feed terminal

**Function:** Termination-Board to connect to the Yokogawa ProSafe RS I/O card. The TB System connector X1A/X1B links to the Yokogawa I/O card via a standard cable supplied by Yokogawa. Two system connectors in parallel allow for redundant applications. The connections to/from the field are pressure clamp terminals X10. The unit has a 24 V DC redundant power supply feed, monitored by a potential free relay contact. (X20. 1, 2) LED PW1, PW2 and Alarm indicate the actual power status. Each loop is fused to protect the Yokogawa I/O card. The board is designed to be mounted vertically on DIN-Rail (DIN EN 5022).

**Circuit diagram**



**Options:** TB-RS-DO8-SCSI50: PN 185850 (36-9310\_2) with SCSI connector

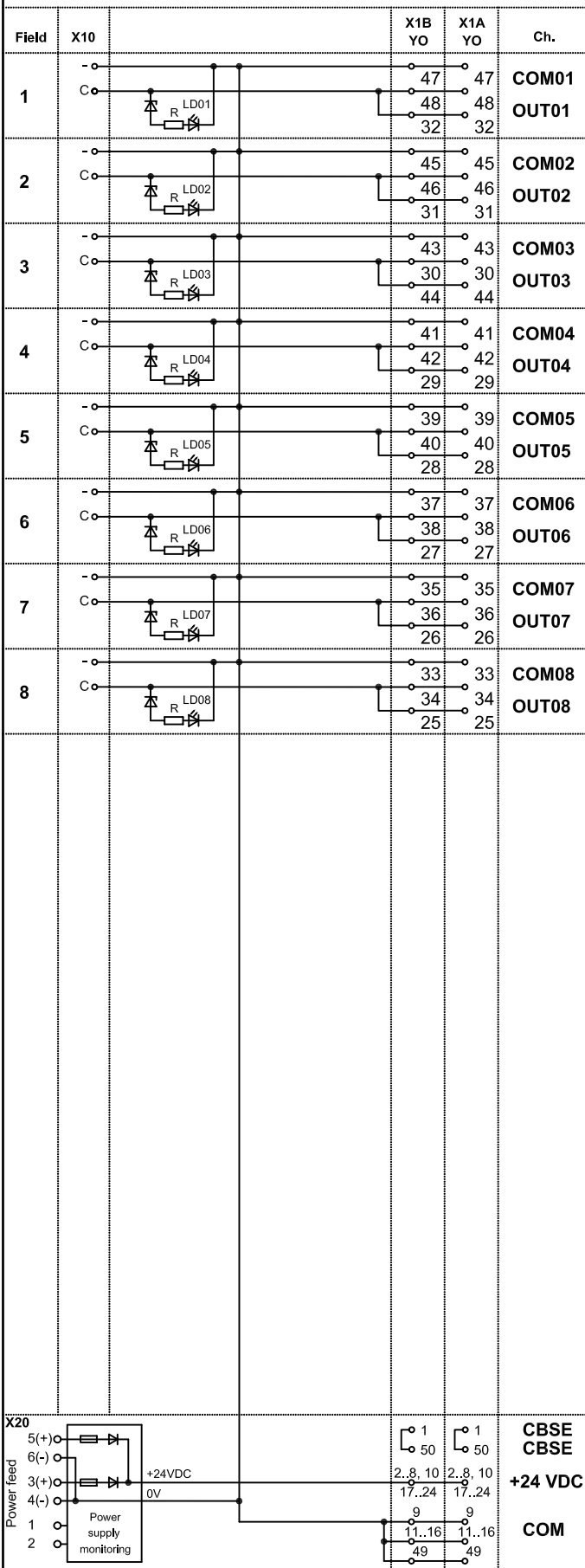
14.06.05	Bro/vB	vB	Sb/vB	
Date	TZ	Off. in ch.	contr. techn.	contr. Norm
Dept.: PA-PG-IF	No. <b>36-931011</b>			
Up date: HB 03.11.10	Replaces: XXXXX / 36-XXXX		Sheet 1	
Scale: 1 : 2			of 3	

copyright according to DIN34  
unauthorized distribution and reproduction prohibited

**PEPPERL+FUCHS**  
Mannheim-Schönau

**FI-Module**  
Non IS termination board  
DO 8 channels - redundant  
**TB-RS-DO8-AKB-185849**

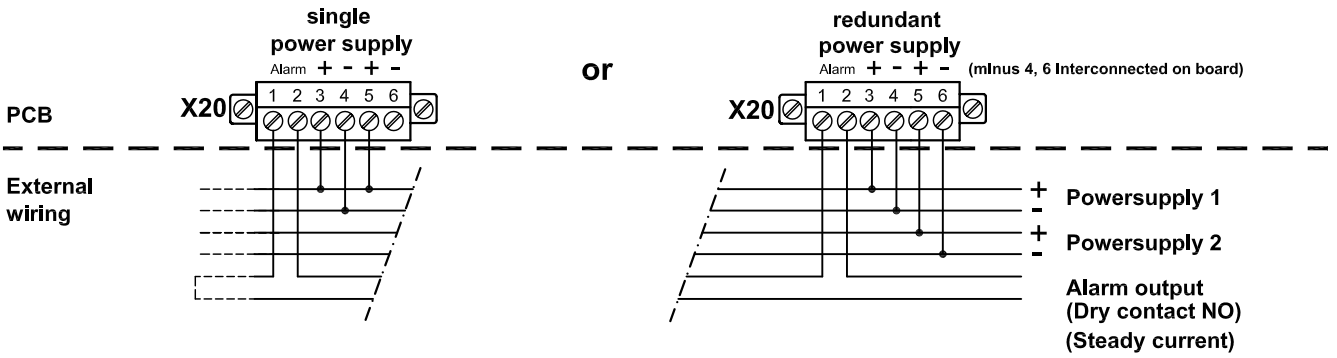
### Channels 1 ... 8



copyright according to DIN34  
unauthorized distribution and reproduction prohibited

<p><b>PEPPERL+FUCHS</b> Mannheim-Schönau</p>	FI-Module Non IS termination board DO 8 channels - redundant <b>TB-RS-DO8-AKB-185849</b>	14.06.05	Bro/vB	vB	Sb/vB	
		Date	TZ	Off. in ch.	contr. techn.	contr. Norm
		Dept.: PA-PG-IF	<b>No.36-931011</b>			
		Up date: HB 03.11.10	Replaces: XXXXX / 36-XXXX		Sheet 2	
		Scale: 1 : 2		of 3		


**Connection power supply and error message (Alarm)**



**Alarm LD indication and contact status**

Power supply 1	Power supply 2	LD green	X20.1, X20.2 Alarm contact	LD red (Flashing)
PS <b>ON</b> and Fuse 150 <b>OK</b>	PS <b>ON</b> and Fuse 151 <b>OK</b>	LD150 <b>ON</b> LD151 <b>ON</b>	contact <b>closed</b>	LD135 <b>OFF</b>
PS <b>ON</b> and Fuse 150 <b>OK</b>	PS <b>OFF</b>	LD150 <b>OFF</b> LD151 <b>OFF</b>	contact <b>open</b>	LD135 <b>ON</b>
PS <b>OFF</b>	PS <b>ON</b> and Fuse 151 <b>OK</b>	LD150 <b>OFF</b> LD151 <b>ON</b>	contact <b>open</b>	LD135 <b>ON</b>
PS <b>ON</b> and Fuse 150 <b>OK</b>	PS <b>ON</b> and Fuse 151 <b>broken</b>	LD150 <b>ON</b> LD151 <b>OFF</b>	contact <b>open</b>	LD135 <b>ON</b>
PS <b>ON</b> and Fuse 150 <b>broken</b>	PS <b>ON</b> and Fuse 151 <b>OK</b>	LD150 <b>OFF</b> LD151 <b>ON</b>	contact <b>open</b>	LD135 <b>ON</b>
PS <b>ON</b> and Fuse 150 <b>broken</b>	PS <b>ON</b> and Fuse 151 <b>broken</b>	LD150 <b>OFF</b> LD151 <b>OFF</b>	contact <b>open</b>	LD135 <b>OFF</b>
PS <b>OFF</b>	PS <b>OFF</b>	LD150 <b>OFF</b> LD151 <b>OFF</b>	contact <b>open</b>	LD135 <b>OFF</b>

copyright according to DIN34 unauthorized distribution and reproduction prohibited

 <b>PEPPERL+FUCHS</b> Mannheim-Schönau	FI-Module Non IS termination board DO 8 channels - redundant <b>TB-RS-DO8-AKB-185849</b>	14.06.05	Bro/vB	vB	Sb/vB	
		Date	TZ	Off. in ch.	contr. techn.	contr. Norm
		Dept.: PA-PG-IF	<b>No.36-931011</b>			
		Up date: HB 03.11.10	Replaces: XXXXX / 36-XXXX	Sheet 3		
		Scale: 1:2		of 3		