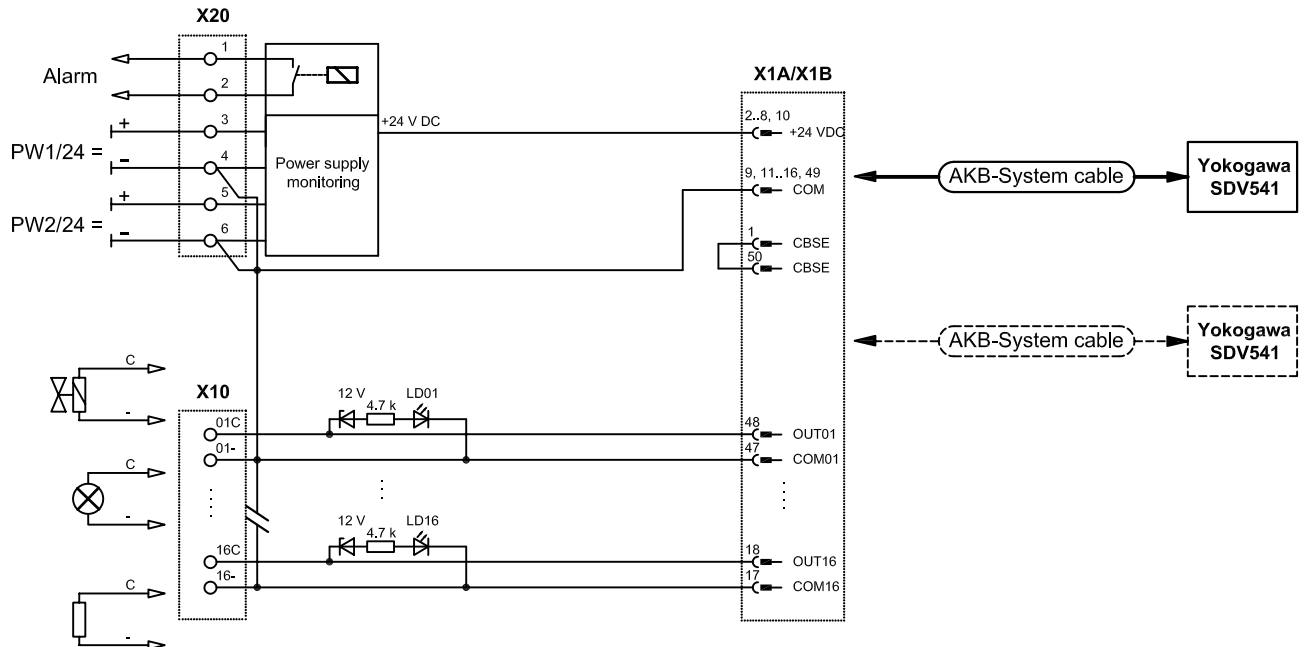


Technical Description

Field termination: X10	Pressure clamp terminal AWG14...24	DO 24 V DC / 0,6 A per channel / total 3,6 A max.
System connector: X1A, X1B	50 pin male YO50	DO
Power feed: X20.3 ... 6	Redundant Power feed	24 V DC / 5 A, max. 6,3 A
Alarm: X20.1, X20.2	Power Alarm	Relay contact max. 30 V AC, 40 V DC, 2 A
F150; 151	Power feed fuse	6,3 A
X20	6 pin screw terminal (removable)	Power feed terminal

Function: Termination-Board to connect to the Yokogawa ProSafe RS I/O card. The TB System connector X1A/X1B links to the Yokogawa I/O card via a standard cable supplied by Yokogawa. Two system connectors in parallel allow for redundant applications. The connections to/from the field are pressure clamp terminals X10. The unit has a 24 V DC redundant power supply feed, monitored by a potential free relay contact. (X20. 1, 2) LED PW1, PW2 and Alarm indicate the actual power status. The board is designed to be mounted vertically on DIN-Rail (DIN EN 5022).

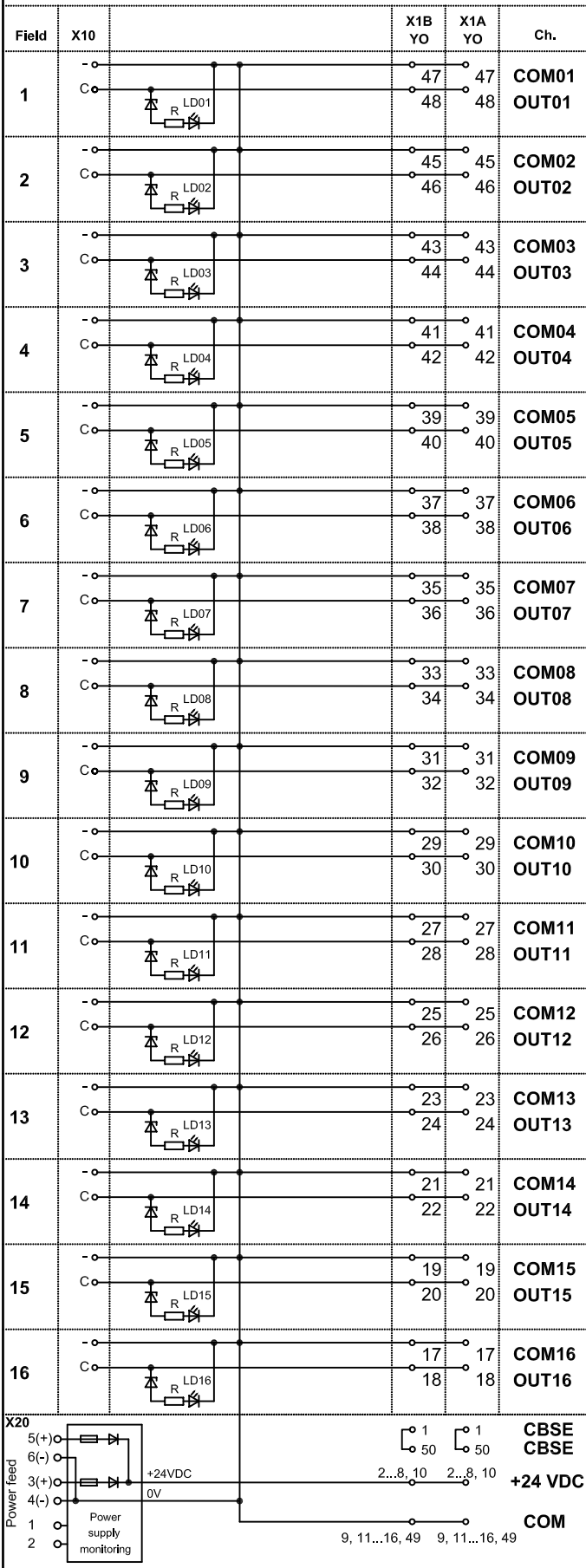
Circuit diagram



copyright according to DIN34
unauthorized distribution and reproduction prohibited

 PEPPERL+FUCHS Mannheim-Schönau	FI-Module Non IS termination board DO 16 channels - redundant TB-RS-DO16-AKB-204061		10.09.07	vB	vB	Hi/vB	
	Date	TZ	Off. in ch.	contr. techn.	contr. Norm		
		Dept.: PA-PG-IF Up date: 03.11.2010	No. 36-9343D Replaces: 36-BC06 199439 / 36-BC00		Sheet 1		
			Scale: 1 : 2	of 3			

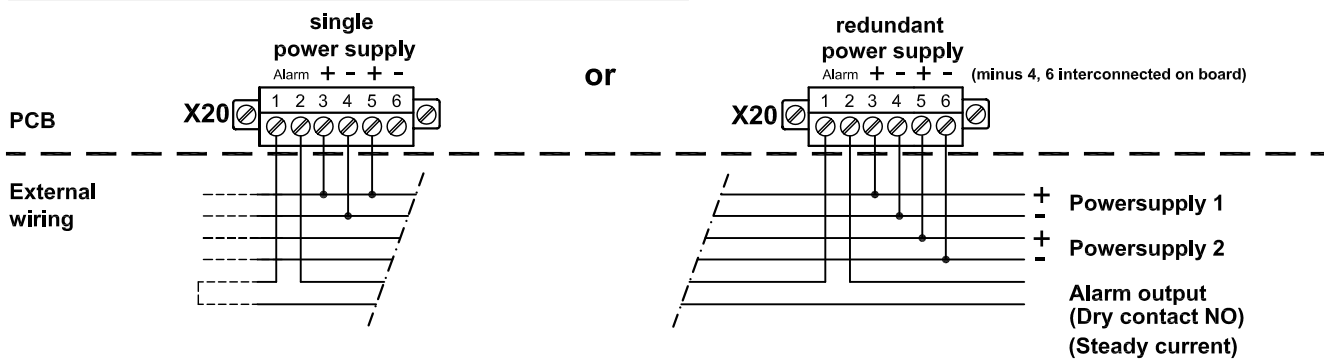
Channels 1 ... 16



copyright according to DIN34
unauthorized distribution and reproduction prohibited

<p>PEPPERL+FUCHS Mannheim-Schönau</p>	<p>FI-Module Non IS termination board DO 16 channels - redundant TB-RS-DO16-AKB-204061</p>	10.09.07	vB	vB	Hi/vB	
		Date	TZ	Off. in ch.	contr. techn.	contr. Norm
		Dept.: PA-PG-IF		No. 36-9343D		
		Up date: HB 03.11.2010		Replaces: 36-BC06 199439 / 36-BC00		Sheet 2
				Scale: 1 : 2		of 3

Connection power supply and error message (Alarm)



Alarm LD indication and contact status

Power supply 1	Power supply 2	LD green	X20.1, X20.2 Alarm contact	LD red (Flashing)
PS ON and Fuse 150 OK	PS ON and Fuse 151 OK	LD150 ON LD151 ON	contact closed	LD135 OFF
PS ON and Fuse 150 OK	PS OFF	LD150 ON LD151 OFF	contact open	LD135 ON
PS OFF	PS ON and Fuse 151 OK	LD150 OFF LD151 ON	contact open	LD135 ON
PS ON and Fuse 150 OK	PS ON and Fuse 151 broken	LD150 ON LD151 OFF	contact open	LD135 ON
PS ON and Fuse 150 broken	PS ON and Fuse 151 OK	LD150 OFF LD151 ON	contact open	LD135 ON
PS ON and Fuse 150 broken	PS ON and Fuse 151 broken	LD150 OFF LD151 OFF	contact open	LD135 OFF
PS OFF	PS OFF	LD150 OFF LD151 OFF	contact open	LD135 OFF

copyright according to DIN34
unauthorized distribution and reproduction prohibited

	FI-Module Non IS termination board DO 16 channels - redundant TB-RS-DO16-AKB-204061	10.09.07	vB	vB	Hi/vB	
		Date	TZ	Off. in ch.	contr. techn.	contr. Norm
		Dept.: PA-PG-IF	No. 36-9343D			
		Up date: HB 03.11.2010	Replaces: 36-BC06 199439 / 36-BC00		Sheet 3	
		Scale: 1 : 2		of 3		