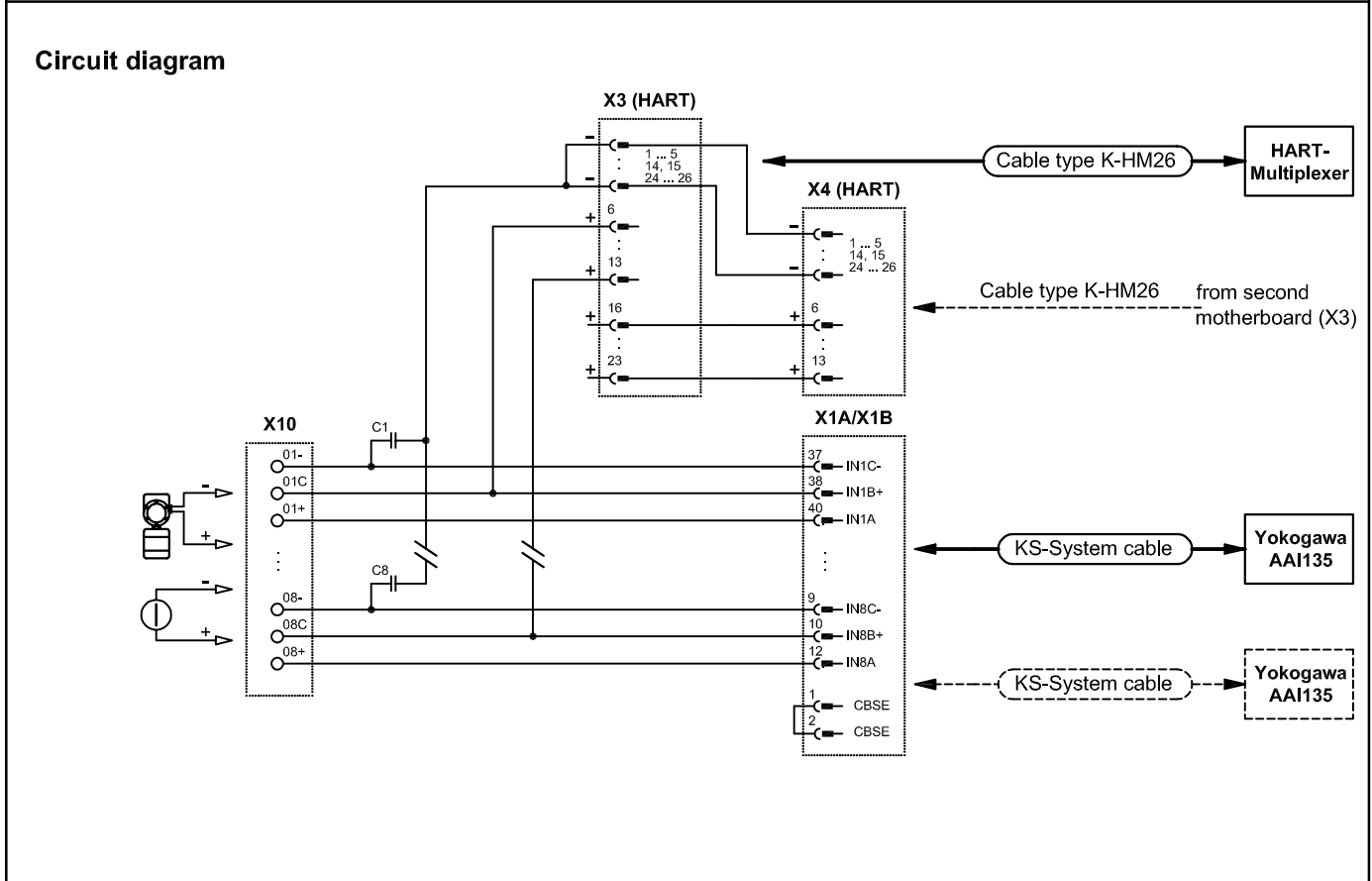


Technical Description		
Field termination: X10	Pressure clamp	AI (4 ... 20 mA)
System connector: X1A, X1B	40 pin male YO40	AI (4 ... 20 mA)
Connector HART-Mux: X3, X4	26 pin HART connector	HART-communication

Function: Termination-Board to connect to the Yokogawa CS 3000 R3 I/O card. The TB System connector X1A/X1B links to the Yokogawa I/O card via a standard cable supplied by Yokogawa. Two system connectors in parallel allow for redundant applications. The connections to/from the field are screw terminals X10. A HART connector X3 (8 channels intern) and X4 (8 channels extern), in parallel with the system connector, links to the Pepperl+Fuchs HART multiplexer via a ribbon cable type K-HM26. The board is designed to be mounted vertically on DIN-Rail (DIN EN 5022).



Note: For pulse input module AAP135 also

Options: TB-C3-AI8-SCSI40: PN XXXXX (36-9321_2) with SCSI connector	23.11.05	Bro	vB/Hi	Hi/vB	
	Date	S TZ	Off. in ch.	contr. techn.	contr. Norm

PEPPERL+FUCHS
Mannheim-Schönau

FI-Module
Non IS termination board
8 AI channels - redundant
TB-C3-AI8-KS-188691

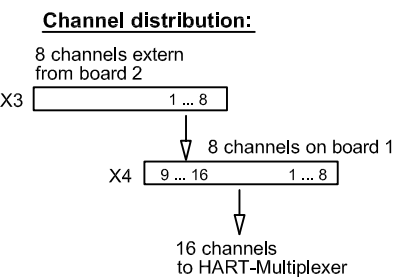
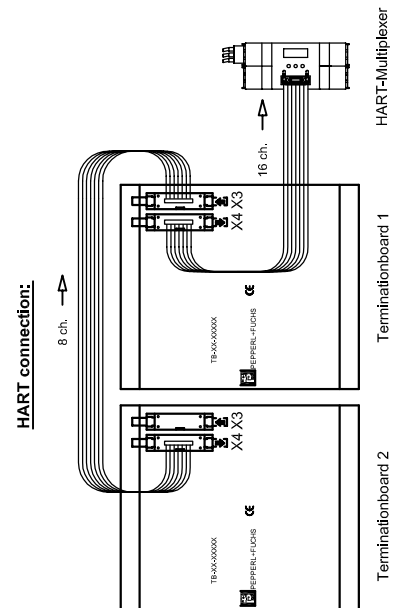
Dept.: PA-PG-IF	No.36-9321E1
Up date: HB 23.09.10	Replaces: xxxxx / 36-xxxx
Scale: 1 : 2	Sheet 1 of 2

copyright according to DIN34 unauthorized distribution and reproduction prohibited



Channels 1 ... 8

Field	X10	X3	X4	X1A/B YO	Ch.
1		6		37 38 40	IN1C- IN1B+ IN1A
2		7		33 34 36	IN2C- IN2B+ IN2A
3		8		29 30 32	IN3C- IN3B+ IN3A
4		9		25 26 28	IN4C- IN4B+ IN4A
5		10		21 22 24	IN5C- IN5B+ IN5A
6		11		17 18 20	IN6C- IN6B+ IN6A
7		12		13 14 16	IN7C- IN7B+ IN7A
8		13		9 10 12	IN8C- IN8B+ IN8A
					CBSE CBSE



copyright according to DIN34
unauthorized distribution and reproduction prohibited

PEPPERL+FUCHS
Mannheim-Schönau

FI-Module
Non IS termination board
8 AI channels - redundant
TB-C3-AI8-KS-188691

23.11.05	Bro	vB/Hi	Hi/vB		
Date	S TD	Off. in ch.	contr. techn.	contr. Norm	
Dept.: PA-PG-IF	HB	No. 36-9321E1			
Up date: 23.09.10	Replaces: xxxxx / 36-xxxx		Sheet 2		
Scale: - : -		of 2			