



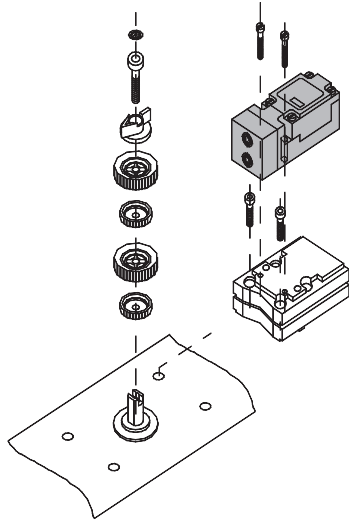
Accessories: Mounting sets for double sensors M3K housing

The DIN/VDE 3845 standard describe the mounting interface between positioner and accessories. 4 different positioner sizes can be defined according to this standard y.

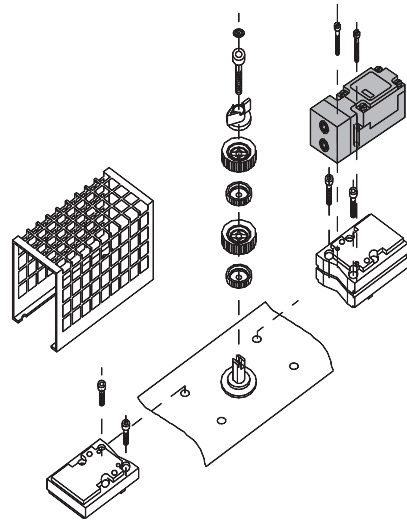
Size	Shaft height	Holes position
1	20 mm	80 x 30 mm
2	30 mm	80 x 30 mm
3	30 mm	130 x 30 mm
4	50 mm	130 x 30 mm

The switching points are adjustable for every channel.

Size 1

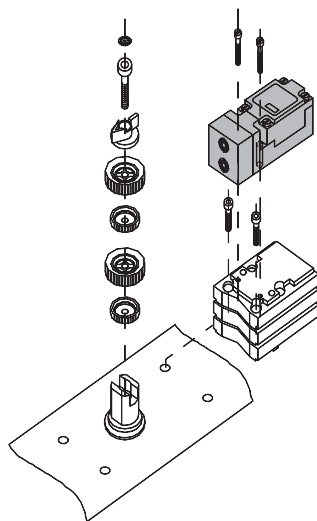


BT1-M3K-1

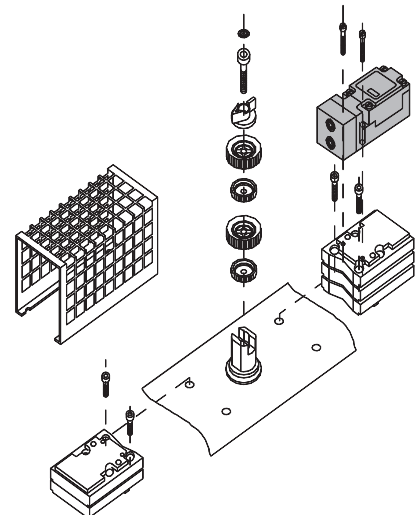


BT1-M3K-1-G

Size 2



BT1-M3K-2



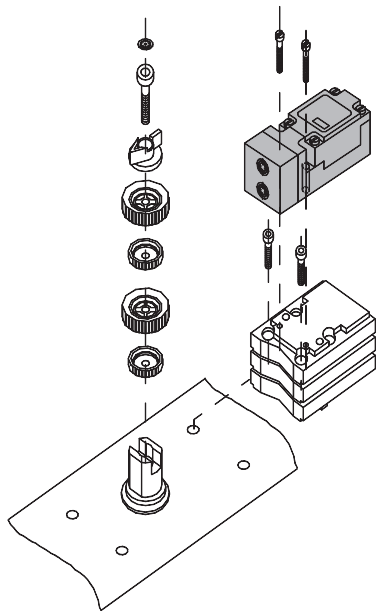
BT1-M3K-2-G

F000270E 08/97 00

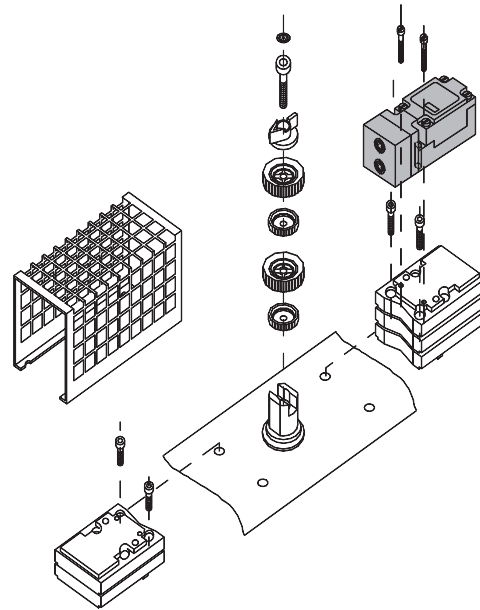


Accessories: Mounting sets for double sensors M3K housing

Size 3

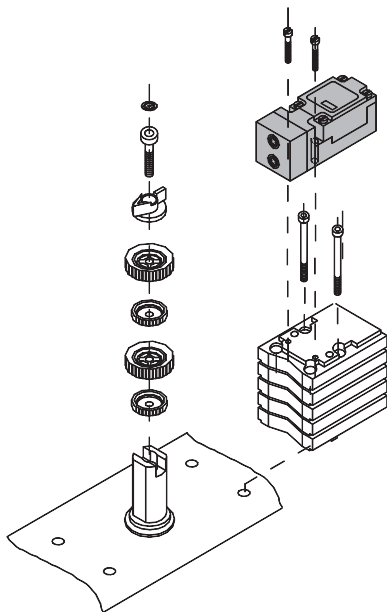


BT1-M3K-3

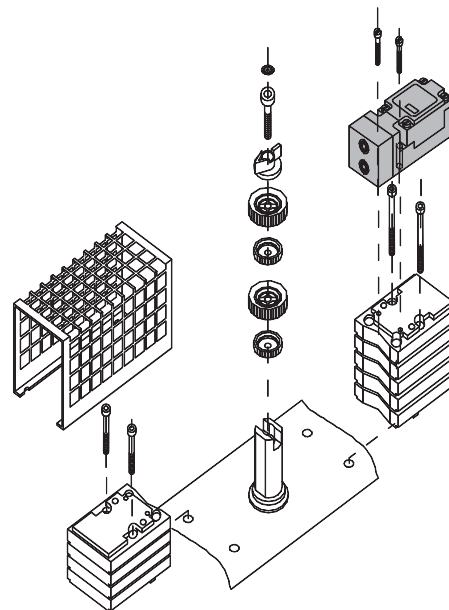


BT1-M3K-3-G

Size 4



BT1-M3K-4



BT1-M3K-4-G

The sensors are not included.

F000270E 08/97 00