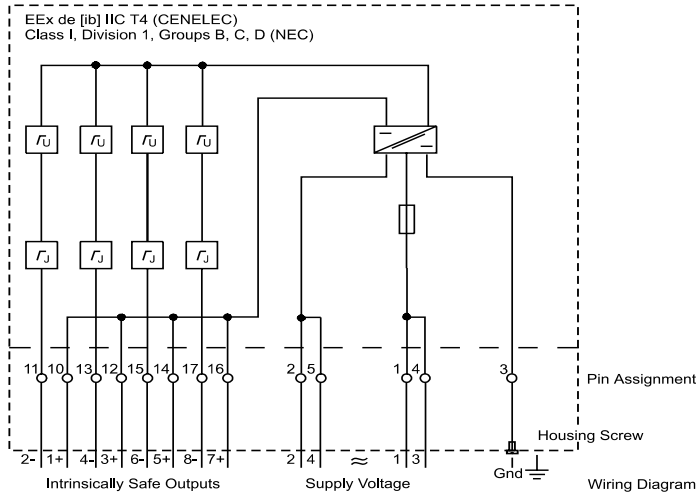
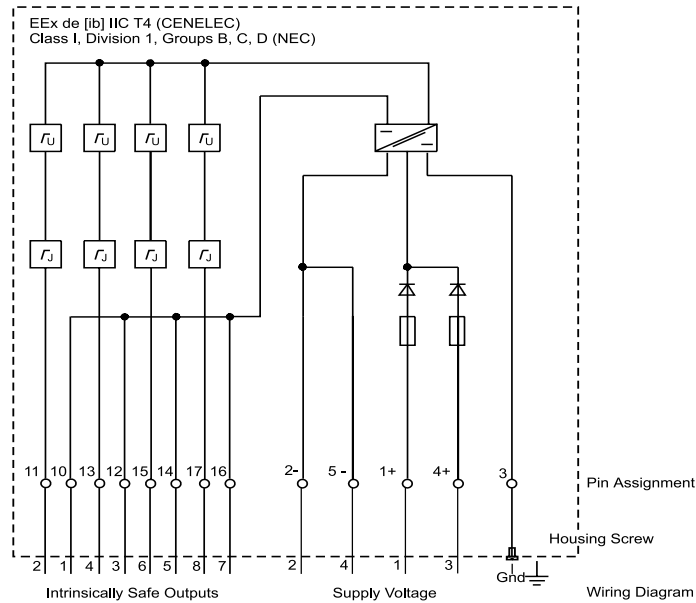


- **Four intrinsically safe supply channels**
- **8.5 W output power per channel**
- **Explosion proof housing (EEx d)**
- **Hazardous area:**
EEx de [ib] IIC T4 (CENELEC),
Class I, Division 1, Group B - D (NEC)
- **Redundant power (DC-Version)**
Black special cable
Cable gland installation
M20 with approval for EEx d IIC and
110 °C ambient temperature
- **Intrinsically safe outputs**
For supplying IS-RPI modules
Blue special cable
Cable gland installation
M20 with approval for EEx d IIC
and 110 °C ambient temperature

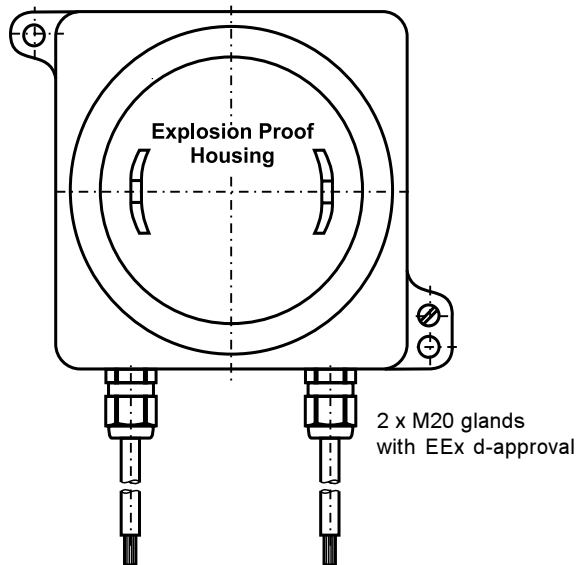


The power supply may be installed within a hazardous area. A redundant supply voltage can be connected. The DC-version is de-coupled internally by means of diodes.

The supply voltage feed must be connected with the power supply's black connection cable within a terminal box using explosion protection method EEx e (Increased Safety).

The four intrinsically safe output channels can be directly connected to IS-RPI modules. (Be sure to monitor the power consumption of the modules!)

Front View

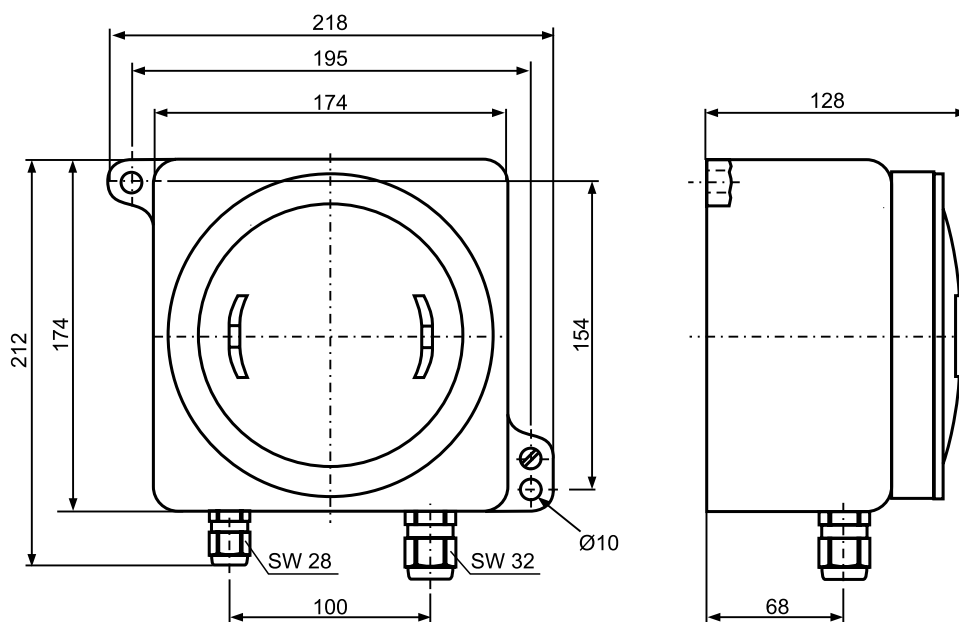


2 m special cable,
temperatures of up to 110 °C
5 x 16 AWG, black

2 m special cable,
temperatures of up to 110 °C
8 x 16 AWG, blue

Technical Data Power Supply Nominal Voltage	DC 18 V ... 32 V, terminals 1+,4+,2-,5- (RSD2-PSD-Ex4.34.C) AC 85 V ... 264 V, terminals 1 ,4 ,2 ,5 (RSA6-PSD-Ex4.34.C)
Ripple	(RSD2-PSD-Ex4.34.C only)
Power supply frequency	45 ... 65 Hz (RSA6-PSD-Ex4.34.C only)
Power consumption	DC 55 W (RSD2-PSD-Ex4.34.C) AC 53 W (RSA6-PSD-Ex4.34.C)
Max. power dissipation	21 W
Output Voltage Output	8.5 W (per channel) blue cable, lead numbers 1, 3, 5, 7 (+) 2, 4, 6, 8 (-)
Certificate of Conformity Peak Values Voltage U_0 Current I_0 Power P_0 Max. external capacitance (IIB) Max. external inductance (IIB)	DC BVS 98.D.2017X 9.5 V 1 A 9.5 W 800 nF 10 μ H cable type (TPE-O) cable length 2 m (16 AWG) AC Approval No. pending
Allowable Circuit Values Ignition Protection Class, Category Explosion group	device: EEx de [ib] IIC T4 (GENELEC); Class I, Div. 1, Groups B-D (NEC) outputs Exi: EEx ib IIC (GENELEC); Class I, Div. 1, Groups A-G (NEC)
Maximum Fault Voltage U_m Power supply	40 V DC
Mechanical Housing dimensions Protection method Weight Cable glands	294 mm x 174 mm x 128 mm IP 65 5360 g BAX. M20
Ambient Temperature Storage Temperature	-20 °C ... +70 °C (-4 °F ... 158 °F bzw. 253 K ... 343 K) -20 °C ... +100 °C (253 K ... 373 K)

Dimensions (in mm)



Date of issue 15.09.2000