

- limit detector switch for analogue signals 0 ... 5 V, 0 ... 20 mA
- with 2-point-switch a min-max-control is possible
- open circuit / no-load current - principle switchable

**Limit detector switch, WHG and VbF**

**HR-169220**

0...5V, Limit value

**HR-169320**

0...5V, Min-Max-control

**HR-169720**

0...20mA, Limit value

**HR-169820**

0...20mA, Min-Max-control

**Function principle**

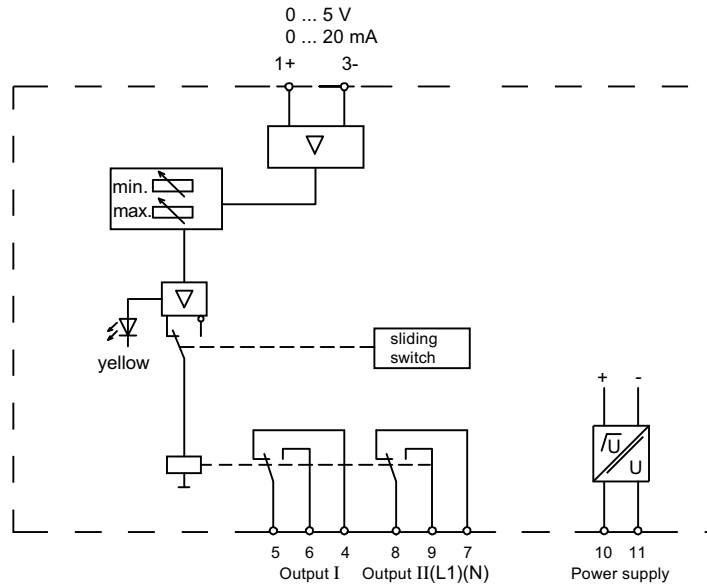
**Limit value**

When the analogue value reaches or exceeds the pre-set threshold (0 ... 100%) , the relays are switched.

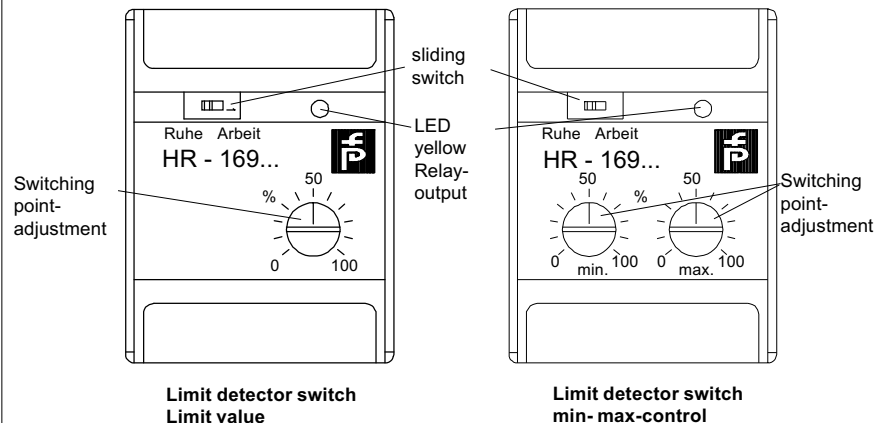
**Min-Max-control**

In devices with "min." and "max."-controls the relay rises with the "max."-value and falls, when the "min"-value is reached. This switching hysteresis allows a minimum-maximum-control.

The voltage and temperature stabilized switching amplifier guarantees an exact switching point. The switching state is indicated by a LED. The sliding switch "Ruhe-Arbeit" allows to select the open circuit / closed circuit current principle.



**Front**



Date of issue 26.06.97



Technical data	HR-169220	HR-169320	HR-169720	HR-169820
<b>Power supply</b> Nominal voltage Power consumption	Terminals 10 (L1), 11 (N) AC 230 V (48 ... 62 Hz) ca. 3 VA			
<b>Input</b> Input signal Load Type of control	Terminals 1+, 3- 0 ... 5 V 100 k $\Omega$ Limit value	0 ... 5 V 100 k $\Omega$ min-max-control	0 ... 20 mA 150 $\Omega$ limit value	0 ... 20 mA 150 $\Omega$ min-max-control
<b>Output</b> Voltage Current	2 potential free changeovers, terminals 4,5,6 and 7,8,9 AC 250 V / DC 115 V 4 A / 0.5 A			
<b>Mechanics</b> Design Mounting	Housing type B / H / T = 50 / 60 / 112 mm, Insulation material Noryl holder with screw mounting or holder with snap bracket for standard mounting rail DIN EN 50 022			
<b>Protection class acc. to DIN 40 050</b>	Housing IP 30			
<b>Plug facilities</b> Temperature	-20 °C ... +60 °C (253 K ... 333 K)			

Date of issue 26.06.97