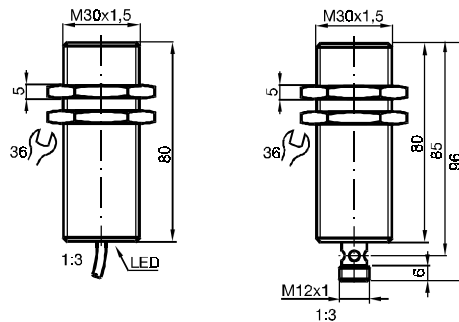


- nominal switching distance 10 mm
- programmable direction of application
- type of protection IP 67
- pre-failure warning and display



Operating distance s_n , mount.	10 mm, embeddable	10 mm, embeddable	Programming information Address preset 00, changeable via bus master or programming device IO code 1 ID code 1 Data bit <table border="1"> <thead> <tr> <th>Bit</th> <th>Function</th> </tr> </thead> <tbody> <tr> <td>D0</td> <td>switching output</td> </tr> <tr> <td>D1</td> <td>function reserve (dynamic)</td> </tr> <tr> <td>D2</td> <td>ready</td> </tr> <tr> <td>D3</td> <td>not used</td> </tr> </tbody> </table> Parameter bit <table border="1"> <thead> <tr> <th>Bit</th> <th>Function</th> </tr> </thead> <tbody> <tr> <td>P0</td> <td>not used</td> </tr> <tr> <td>P1</td> <td>switching output, make-switch*/break-switch (NO*/NC)</td> </tr> <tr> <td>P2</td> <td>not used</td> </tr> <tr> <td>P3</td> <td>not used</td> </tr> </tbody> </table> *standard setting	Bit	Function	D0	switching output	D1	function reserve (dynamic)	D2	ready	D3	not used	Bit	Function	P0	not used	P1	switching output, make-switch*/break-switch (NO*/NC)	P2	not used	P3	not used
Bit	Function																						
D0	switching output																						
D1	function reserve (dynamic)																						
D2	ready																						
D3	not used																						
Bit	Function																						
P0	not used																						
P1	switching output, make-switch*/break-switch (NO*/NC)																						
P2	not used																						
P3	not used																						
Model Number	NCB10-30GM80-B3	NCB10-30GM80-B3-V1																					
Connection [mm ²]	2 m PVC cable 2 x 0.34	M12 round connector 1(+), 3(-)																					
Switching element function	make / break programmable	make / break programmable																					
Working switch dist. s_a [mm]	0 ... 8.1	0 ... 8.1																					
Reduction factor	V2A: 0.72 / AI: 0.34 Cu: 0.32 / Ms: 0.43	V2A: 0.72 / AI: 0.34 Cu: 0.32 / Ms: 0.43																					
Repeatability R S_r	0.1	0.1																					
Hysteresis H [%]	typ. 5	typ. 5																					
Meas. plate (1mm Fe) [mm]	30 x 30	30 x 30																					
Operating voltage U_b	via AS-i bus system	via AS-i bus system																					
Operating current I_e [mA]	≤ 25	≤ 25																					
Switching frequency f [Hz]	≥ 70	≥ 70																					
Ready delay t_v [s]	≤ 1	≤ 1																					
Indicators																							
switching state (D0=1)	LED yellow	multihole LED yellow																					
supply voltage	LED green	-																					
function reserve F_R (stat.)	LED red	-																					
Insulation voltage U_i [V]	≥ 500	≥ 500																					
Fulfilled standard	EN 60947-5-2	EN 60947-5-2																					
Ambient temperature t_b [°C]	-25 ... +70	-25 ... +70																					
Storage temperature t_i [°C]	-40 ... +85	-40 ... +85																					
Type of prot. acc. to EN 60 529	IP 67, all-insulated	IP 67, all-insulated																					
allowable shock and vibration stress	$b \leq 30 \text{ g}$, $T \leq 11 \text{ ms}$ $f \leq 55 \text{ Hz}$, $a \leq 1 \text{ mm}$	$b \leq 30 \text{ g}$, $T \leq 11 \text{ ms}$ $f \leq 55 \text{ Hz}$, $a \leq 1 \text{ mm}$																					
Housing material	stainless steel	stainless steel																					

Standard symbol, connection diagram:

