

AS-interface Passive Distributor

4-way

- interference immune
- insulation penetration technique with flat cable
- type of protection IP 67

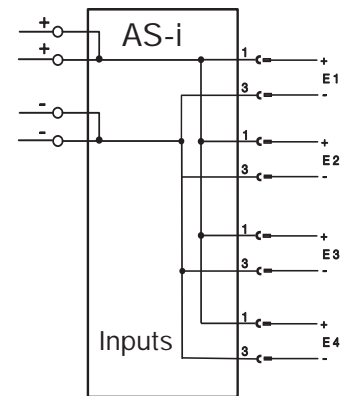


CE

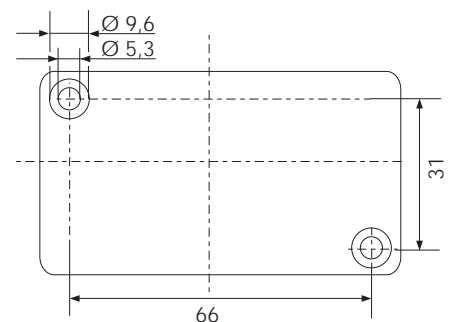


Model Number	VAZ-T4-G1F
Connection AS-i	plug connection -V1 AS-i flat cable
AS-i	M12 round connector
Ambient temperature t_b [°C]	-25 ... +85
Storage temperature t_s [°C]	-25 ... +85
Type of prot. acc. to EN 60 529	IP 67, all-insulated
allowable shock and vibration stress	screw mounting: $b \leq 30$ g , $T \leq 11$ ms snap-in mounting: $b \leq 15$ g , $T \leq 11$ ms screw mounting: $f \leq 55$ Hz , $a \leq 1$ mm snap-in mounting: $f \leq 55$ Hz , $a \leq 0,5$ mm
Weight [g]	150
Dimensions L,W,H [mm]	80, 45, 50

Connection



Drill hole dimensions for screw mounting



Programming information

The settings are carried out by the slaves.

Issue date 01.10.1996