

## Control interface unit with serial interface



### Model number

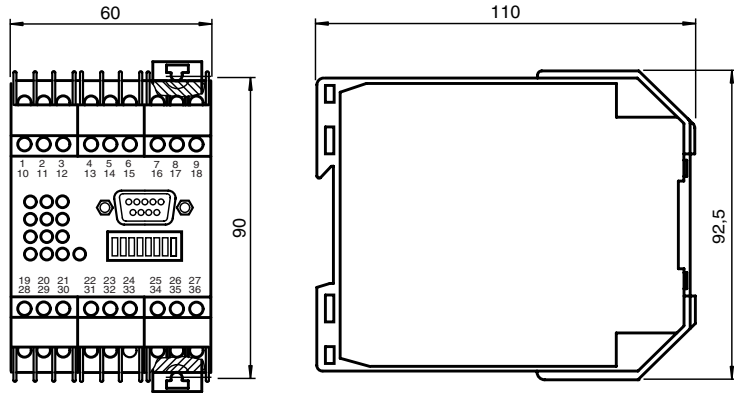
IVI-KHD2-4HRX-Y44980



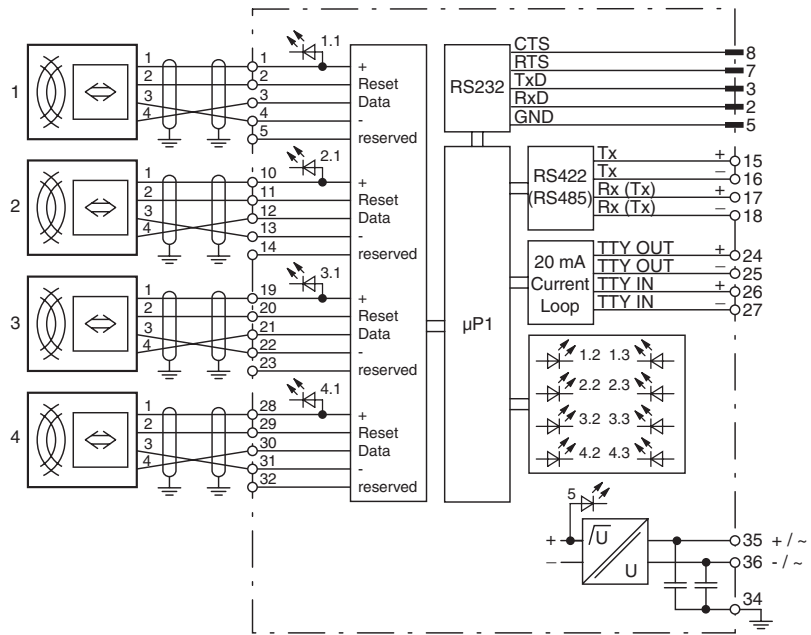
### Features

- Selectable serial interface RS232, RS422 or RS485
- 4 read/write heads connectable
- 3 LEDs as function indicators for each read/write head
- Operating mode read/write

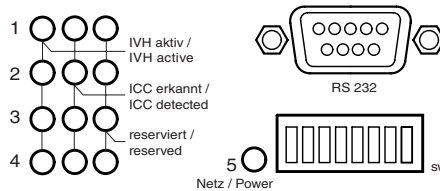
## Dimensions



## Electrical connection



## Indicating/operating means



**Technical data**

**General specifications**

Number of read/write heads max. 4

**Interface**

Physical RS 232, RS 422, RS 485, TTY (20 mA current loop) selection of interface type (can be selected via S7 and S8)

Protocol ASCII  
 Transfer rate 300; 600; 1200; 2400; 4800; 9600; 19200 Bit/s

**Indicating/operating means**

LED green read/write head active (4 LEDs, 1 per head)  
 LED yellow Code / data carrier detected (4 LEDs, 1 per head)  
 LED red reserved (4 LEDs, 1 per head)  
 LED green 5 power on  
 DIP-switch setting the operating mode and interface

**Electrical specification**

Rated operational voltage 18 ... 32 V DC , ripple 10 %<sub>SS</sub>  
 Current consumption 170 mA  
 Power consumption 4 W

**Ambient conditions**

Ambient temperature -25 ... 70 °C (248 ... 343 K)  
 Storage temperature -25 ... 85 °C (248 ... 358 K)  
 Climatic conditions air humidity max. 75 %

**Mechanical specifications**

Protection degree IP20 in accordance with EN 60529  
 Connection type self-opening connection terminals, max. core cross-section 2 x 2.5 mm<sup>2</sup>, 9-pin Sub-D built-in connector

**Material**

Housing Makrolon 6485  
 Construction type K-system, 60 mm (3 TE)

**Model number**

IVI-KHD2-4HRX-Y44980

**Matching system components**

IVH-M1K-Y44579  
 IVH-FP3-Y49530  
 Read/write heads

**Documentation**

Manual IVI-KHD2-4HRX-Y44980

**Software**

Communication with the identification system is very easy with the demo program IDENT 98. It shows the system options and simplifies commissioning. The demo program is included in the scope of delivery.

**Function**

The control interface unit is connected via the serial interface to a higher-order control system.

The control interface unit receives the commands to read and/or write the code or data carriers via this interface.

Up to 4 read/write heads can be connected to the control interface unit. The read/write heads can be queried either individually or through cyclic switching.

The serial communication occurs via ASCII characters. All commands consist of multiple ASCII characters. In the "read/write" operating mode, the read/write commands are available which, in addition to reading code carriers, make it possible to access the memory on the data carriers.