

- Addition counters
- 1 preselection
- 2, 4 or 6 decade devices
- LED indicator, green



Order code

KCX-2DM-V

KCX-4DM-V

KCX-6DM-V

Technical data

General data

Preselection
Data storage

Controls and indicators

Type
Number of decade devices
Digit height
Preselection

Inputs

Counting frequency
Minimum pulse duration
Input impedance
Input voltage

Delay times

External reset
Automatic reset
Time delay before availability

Outputs

Transistor output

Delay time

Relay output

Delay time

Output function - momentary impulse

Output function - continuous signal

Electrical data

Voltage

Power consumption

Power supply for sensor

Ambient conditions

Ambient temperature

Storage temperature

Mechanical data

Weight

Dimensions (L x H x D)

Connection

Maximum permissible core cross-section

single
5000 h at 25 °C
battery, charging time
≥ 50 h

LED green
2
8 mm
via push-button decade
switches

10 Hz/200 Hz
50 ms/2.5 ms
2.3 kΩ (positive logic)
low: 0 ... 6 V DC
high: 16 ... 30 V DC

20 ms/4 ms
< 5 ms
0.2 s after reclosing

PNP, normally-closed
collector
24 V ±15 %, 10 mA
≤ 10 ms at 10 Hz
≤ 4 ms at 200 Hz
change-over contact
250 V AC, 2 A, cos φ = 1
≤ 20 ms at 10 Hz
≤ 14 ms at 200 Hz
50 ms ... 1 s, adjustable
with automatic reset
with external reset

90 ... 132 V AC
180 ... 264 V AC
50 ... 60 Hz
6 VA
24 V DC, 75 mA ripple
≤ 3 %

-10 ... 70 °C
-25 ... 70 °C

approx. 500 g
72 x 72 x 104 mm
screw terminals
0.34 ... 1.5 mm²

single
5000 h at 25 °C
battery, charging time
≥ 50 h

LED green
4
8 mm
via push-button decade
switches

10 Hz/1 kHz
50 ms/0.5 ms
2.3 kΩ (positive logic)
low: 0 ... 6 V DC
high: 16 ... 30 V DC

10 ms/2 ms
< 1 ms
0.2 s after reclosing

PNP, normally-closed
collector
24 V ±15 %, 10 mA
≤ 10 ms at 10 Hz
≤ 0.8 ms at 1 kHz
change-over contact
250 V AC, 2 A, cos φ = 1
≤ 20 ms at 10 Hz
≤ 10 ms at 1 kHz
50 ms ... 1 s, adjustable
with automatic reset
with external reset

90 ... 132 V AC
180 ... 264 V AC
50 ... 60 Hz
6 VA
24 V DC, 75 mA ripple
≤ 3 %

-10 ... 70 °C
-25 ... 70 °C

approx. 500 g
72 x 72 x 104 mm
screw terminals
0.34 ... 1.5 mm²

single
5000 h at 25 °C
battery, charging time
≥ 50 h

LED green
6
8 mm
via push-button decade
switches

10 Hz/5 kHz
50 ms/0.1 ms
2.3 kΩ (positive logic)
low: 0 ... 6 V DC
high: 16 ... 30 V DC

5 ms/1 ms
< 0.2 ms
0.2 s after reclosing

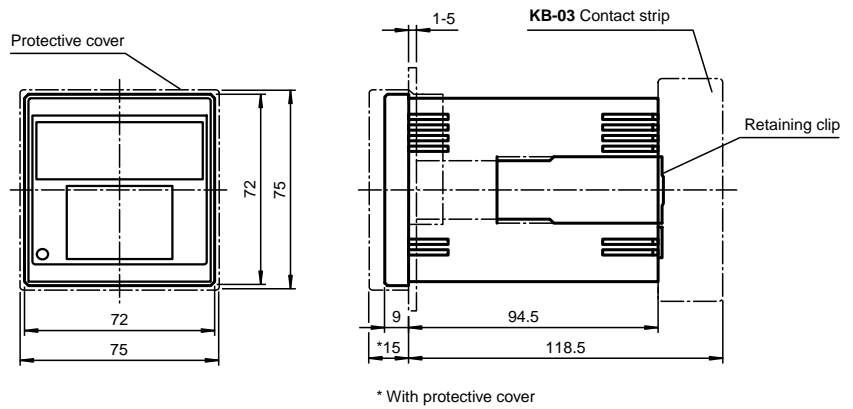
PNP, normally-closed
collector
24 V ±15 %, 10 mA
≤ 10 ms at 10 Hz
≤ 0.15 ms at 5 kHz
change-over contact
250 V AC, 2 A, cos φ = 1
≤ 20 ms at 10 Hz
≤ 10 ms at 5 kHz
50 ms ... 1 s, adjustable
with automatic reset
with external reset

90 ... 132 V AC
180 ... 264 V AC
50 ... 60 Hz
6 VA
24 V DC, 75 mA ripple
≤ 3 %

-10 ... 70 °C
-25 ... 70 °C

approx. 500 g
72 x 72 x 104 mm
screw terminal
0.34 ... 1.5 mm²

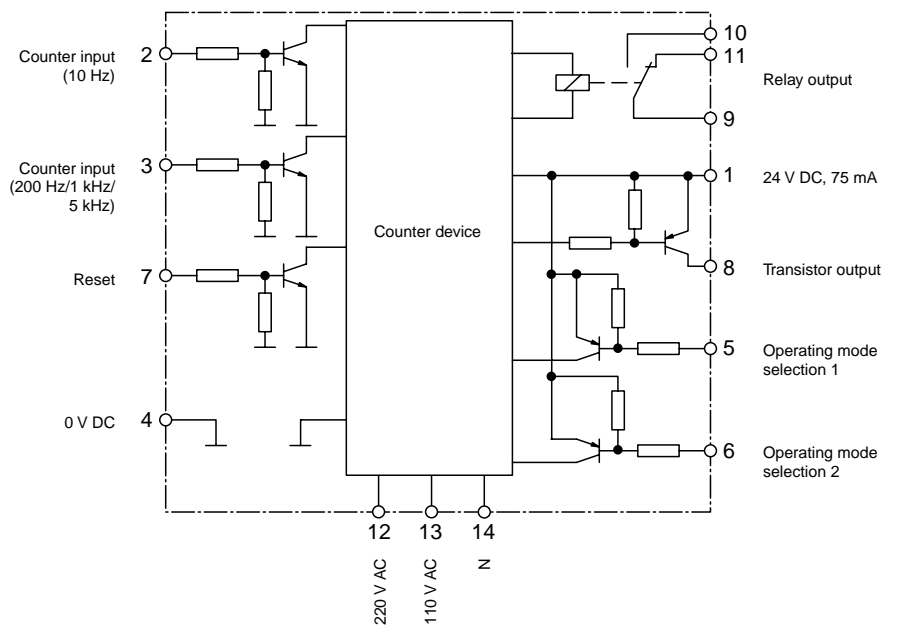
KCX-2DM-V
 KCX-4DM-V
 KCX-6DM-V



Additional features

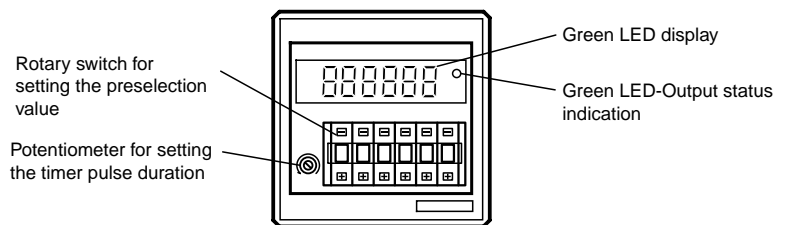
- Counting frequency up to 5 kHz
- Power supply for pulse counter
- Display storage
- Reset automatic or with external signal
- Flexible protective cover protects the front plate against dust and water spray
- Base for surface mounting or built-in installation
- Base and lockable front frame (ordered separately), see page 40 f

Electrical connection



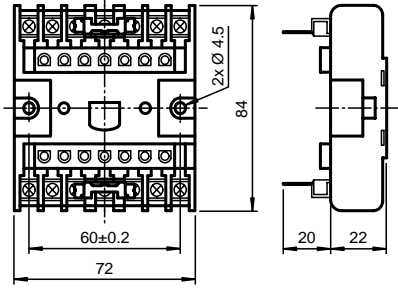
Controls and indicators

Additional data

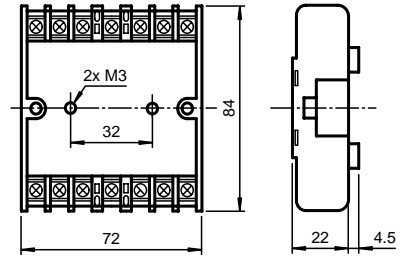


KF-03, Base for surface mounting
KB-03, Base for built-in installation

KF-03, Base for surface mounting

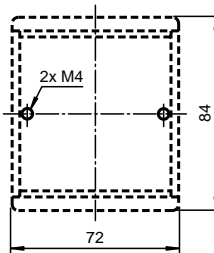


KB-03, Base for built-in installation

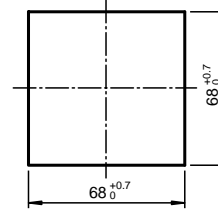


KF-03, Base fixing
KF-03, Installation cut-out

Base fixing KF-03

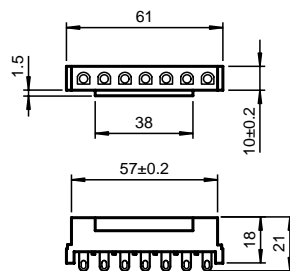


Installation cut-out



KA-01, Base for soldered connection

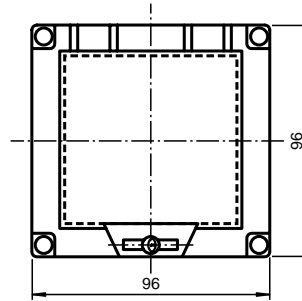
KA-01, Base for soldered connection



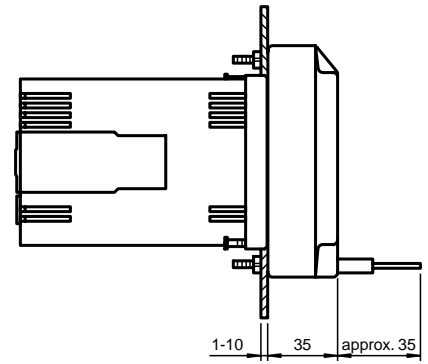
The KA-01 consists of 2 individual bases for solder connection, including the fixing bracket.

FPL-01, Lockable front frame

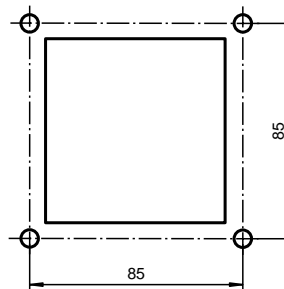
FPL-01 Lockable front frame



Dimensions relevant to use of the lockable front frame.

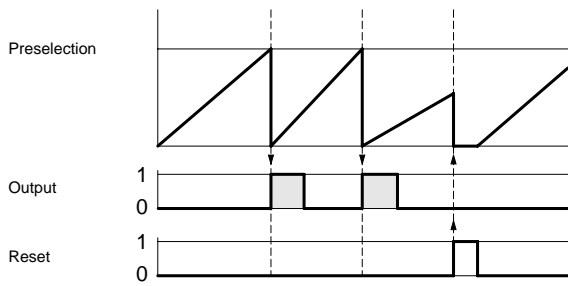


FPL-01, Installation cut-out



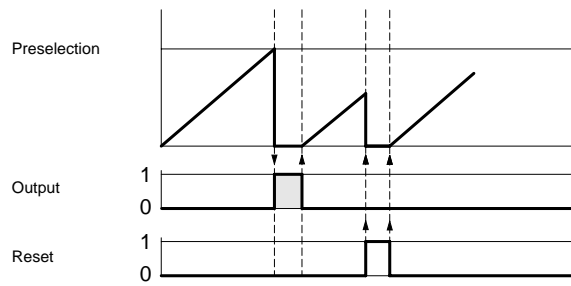
Ø4.5 mm for M4 screws

Mode A1



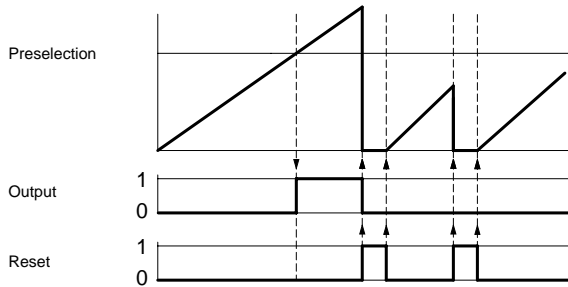
Mode A2

Jumper terminals 3-8 (Counter input terminal 2)
or 2-8 (Counter input terminal 3)



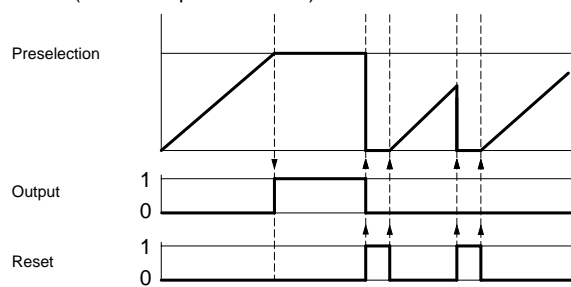
Mode B1

Jumper terminals 4-5-6



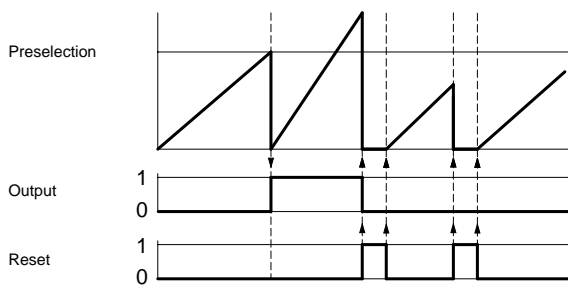
Mode B2

Jumper terminals 4-5-6 and 3-8 (Counter input terminal 2)
or 2-8 (Counter input terminal 3)



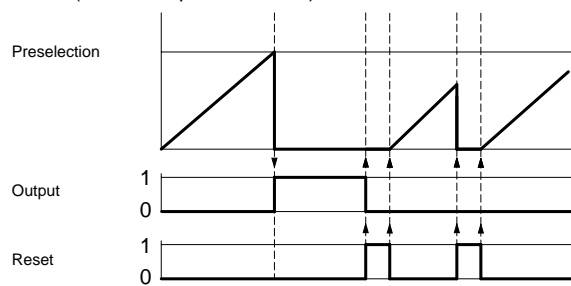
Mode B3


Jumper terminals 4-5



Mode B4

Jumpert terminals 4-5 and 3-8 (Counter input terminal 2)
or 2-8 (Counter input terminal 3)



 Indicates "Momentary impulse output" (50 ms ... 1s)