

- Totalizing Counter
- 4 or 6 decade devices
- LED indicator, green
- Counting frequency up to 5 kHz



Order code

KCX-4T-V

KCX-6T-V

Technical data

General data

Storage of numerical values

5000 h at 25 °C
battery
charging time ≤ 50 h

5000 h at 25 °C
battery
charging time ≤ 50 h

Controls and indicators

Type
Number of decade devices
Digit height
Reset

LED green
4
8 mm
manual

LED green
6
8 mm
manual

Inputs

Counting frequency
Minimum pulse duration
Input impedance

Input voltage

10 Hz/1 kHz
50 ms/0.5 ms
2.3 kΩ
(positive logic)
low: 0 ... 6 V DC
high: 16 ... 30 V DC

10 Hz/5 kHz
50 ms/0.1 ms
2.3 kΩ
(positive logic)
low: 0 ... 6 V DC
high: 16 ... 30 V DC

Delay times

External reset (On/Off)
Reset button
Display storage input
Time delay before availability
Counter inhibit input

50 ms/5 ms
< 1 s
≤ 0.5 ms
0.2 s after reclosing
≤ 1 ms

10 ms/1 ms
< 1 s
≤ 0.1 ms
0.2 s after reclosing
≤ 0.2 ms

Electrical data

Voltage

Power consumption
Power supply for sensor

90 ... 132 V AC
190 ... 264 V AC
50 ... 60 Hz
5 VA
24 V DC, 75 mA
ripple ≤ 3 %

90 ... 132 V AC
190 ... 264 V AC
50 ... 60 Hz
5 VA
24 V DC, 75 mA
ripple ≤ 3 %

Ambient conditions

Ambient temperature
Storage temperature

-10 ... 70 °C
-25 ... 70 °C

-10 ... 70 °C
-25 ... 70 °C

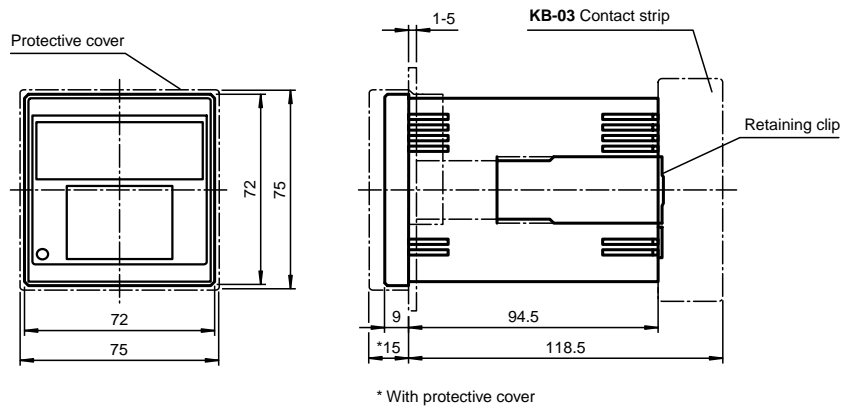
Mechanical data

Weight
Dimensions (L x H x D)
Connection
Maximum permissible core cross-section

approx. 500 g
72 x 72 x 104 mm
screw terminals
0.34 ... 1.5 mm²

approx. 500 g
72 x 72 x 104 mm
screw terminals
0.34 ... 1.5 mm²

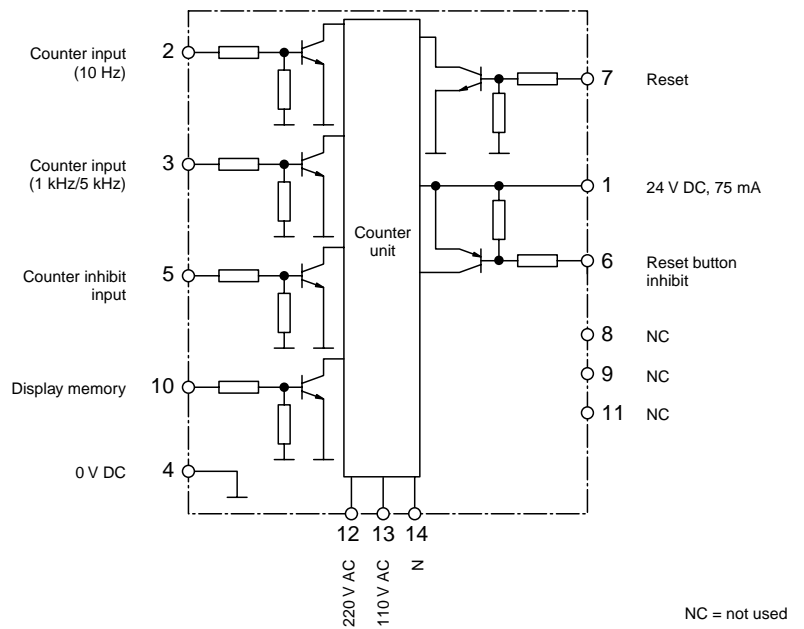
KCX-4T-V
 KCX-6T-V



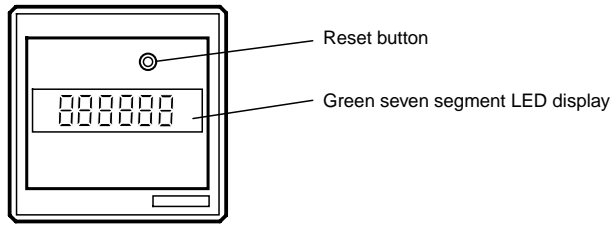
Additional features

- Power supply for pulse counter
- Display storage
- Bases for surface and built-in installation
- Counter disable input
- Reset button
- Base and lockable front frame (ordered separately), see page 36 f

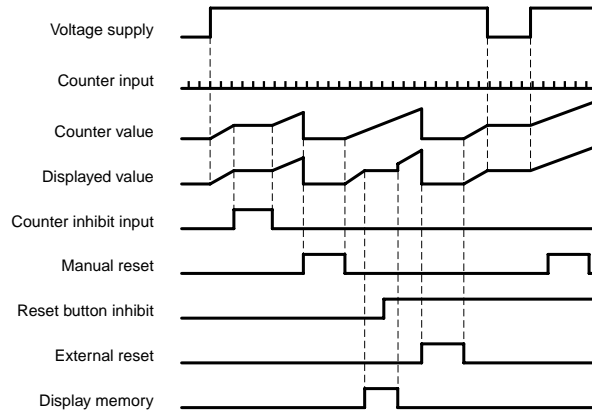
Electrical connection



Controls and indicators



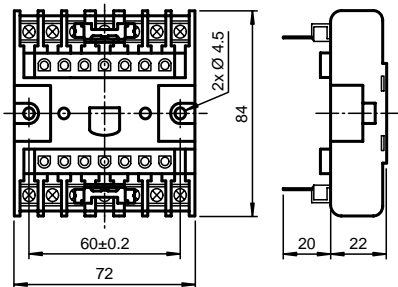
Function diagram



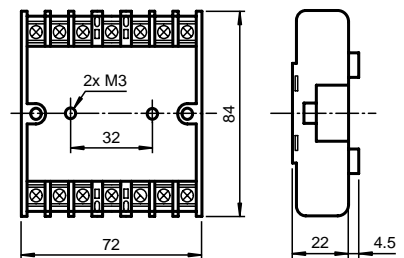
Accessories

KF-03, Base for surface mounting
KB-03, Base for built-in installation

KF-03, Base for surface mounting

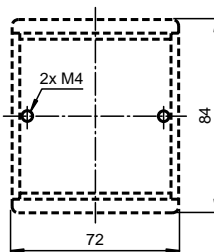


KB-03, Base for built-in installation

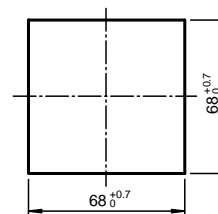


KF-03, Base fixing
KF-03,

Base fixing KF-03

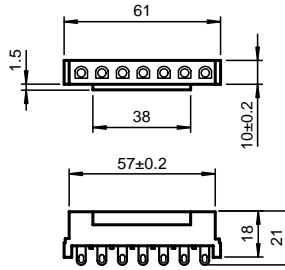


Installation cut-out



KA-01, Base for soldered connection

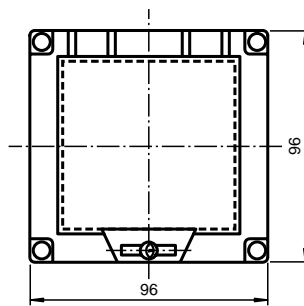
KA-01, Base for soldered connection



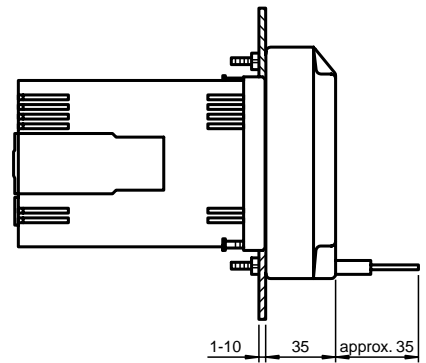
The KC-01 consists of 2 individual bases for solder connection, including the fixing bracket.

FPL-01, Lockable front frame

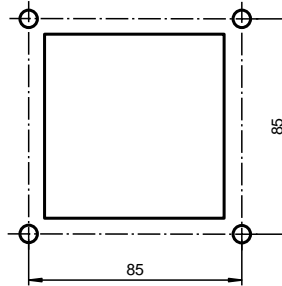
FPL-01 Lockable front frame



Dimensions relevant to use of the lockable front frame.



FPL-01, Installation cut-out



Ø4.5 mm for M4 screws