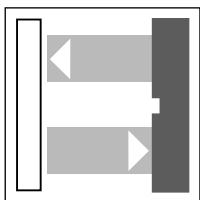


Series -F22



Diffuse reflective photoelectric sensor

OLT300-F22-A0-V15
OLT300-F22-A2-V15



300 mm



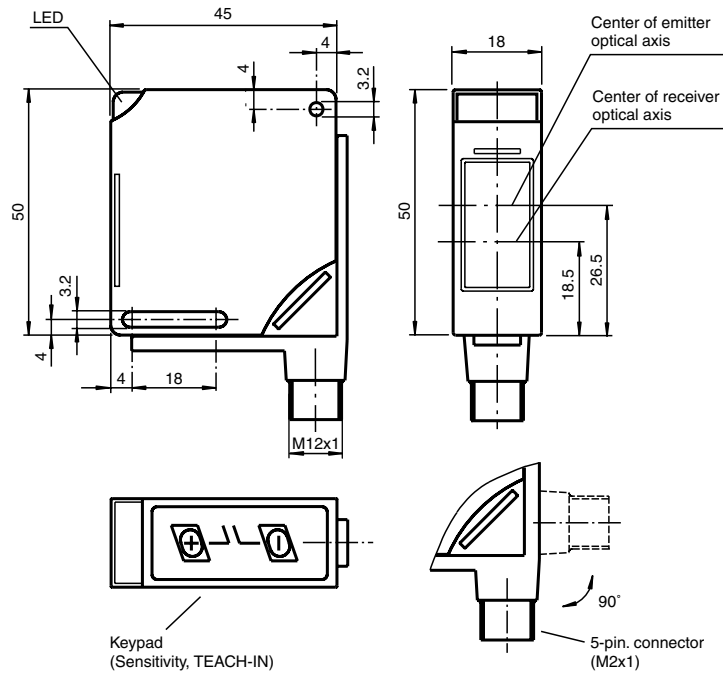
Laser Class II



Features

- Energetic diffuse type sensor for the detection of small objects (\varnothing 0.1 mm)
- Automatic adjustment of the switching points (sensitivity) via TEACH-IN
- Visible red light, pulsed LASER light
- Pre-fault indication and output (dynamic and static)
- Multifunction input
- Parameterisable via optical communication link (e.g. free step values for time function)
- Connector (M12x1) 90° adjustable position
- Protection degree at least IP68
- Boost mode - approx. 4 x the brightness of the transmitted light as adjustment aid

Dimensions

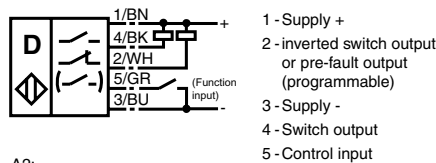


Connectors, mounting accessories etc... see "accessories" section

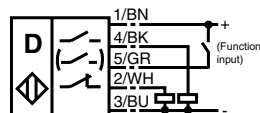
e.g. connectors: V15-G-2M-PVC (straight)
V15-W-2M-PUR (angled)

Electrical connection

A0:



A2:



Technical data

Valid for the whole family

General specifications

Sensing range	0 ... 300 mm
Adjustment range	50 ... 300 mm
Reference target	Standard white 100 mm x 100 mm
Light type	Visible red light 670 nm pulsed LASER-light (12 μ s), 2 mW peak power, Laser class 2, eyesafe
Diameter of the light spot	0.1 mm at a distance of 60 mm \pm 2
Ambient light limit	\leq 10000 Lux sun light \leq 7500 Lux halogen light
Standard conformity	EN 60947-5-2

Electrical specifications

Rated operational voltage	U_e	10 ... 30 V DC , ripple 10 % _{SS} overvoltage and polarity reversal protected
No-load supply current	I_0	\leq 25 mA
Time delay before availability	t_v	\leq 50 ms (with time delay before availability)
Indicating/operating means		
LED yellow		Switching state
LED green		Power on, blinking with 2 Hz or 4 Hz in TEACH-IN mode
LED red		2 Hz flashing: pre-fault indication 65 ms: press the key to quit 1.5 s: fault by TEACH-IN
Key		+/- for the adjustment of the sensing range and teach in

Output

Rated operational current	I_e	\leq 200 mA , every output, short and overload protected
Voltage drop	U_d	\leq 2.5 V
Switching frequency	f	\leq 1 kHz
Switch-on delay	t_{on}	\leq 0.5 ms
Range hysteresis	H	parameterisable

Input

Internal resistor		\geq 12 kOhm
Switch-on delay	t_{on}	3 ms
Switch-off delay	t_{off}	3 ms

Ambient conditions

Ambient temperature	-10 ... 40 °C (263 ... 313 K)
Storage temperature	-40 ... 70 °C (233 ... 343 K)

Mechanical specifications

Protection degree	IP68 according to EN 60529
Connection type	connector V15 (M12 x 1), 5 pin, rotatable through 90°

Material

Housing	PBT
Light exit	Scratch resistant plastic plate
Connector	AlSi
Dove tail	AlSi
Mass	60 g

Version data

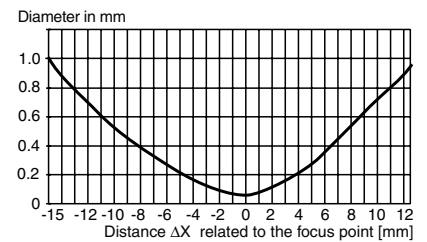
Model number	OLT300-F22-A0-V15	OLT300-F22-A2-V15
Output type	2 switch outputs npn, parameterisable as - NO/NC (antivalent) - NO and pre-fault indication - NC and pre-fault indication	2 switch outputs pnp, parameterisable as - NO/NC (antivalent) - NO and pre-fault indication - NC and pre-fault indication
Input type	1 control/test input, non active: \geq 7 V or open; active: \leq 3 V	1 control/test input, non active: \leq 3 V or not connected; active: \geq 7 V

Model number

OLT300-F22-A0-V15
OLT300-F22-A2-V15

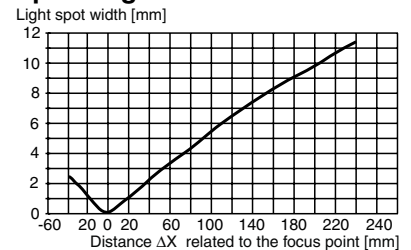
Characteristic curves

Light spot diameter in the focus area



Note : The light spot shape is circular in the vicinity of the focus point

Light spot width up to the rated operating distance



Note : The light spot is bar shaped and the measurement was made at the thinnest position