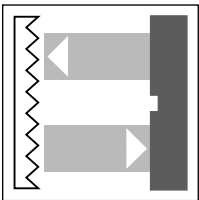


Series -F8



Retro-reflective photoelectric sensor

OCS20M-F8-UK
OCS20M-F8-UKT



20000 mm



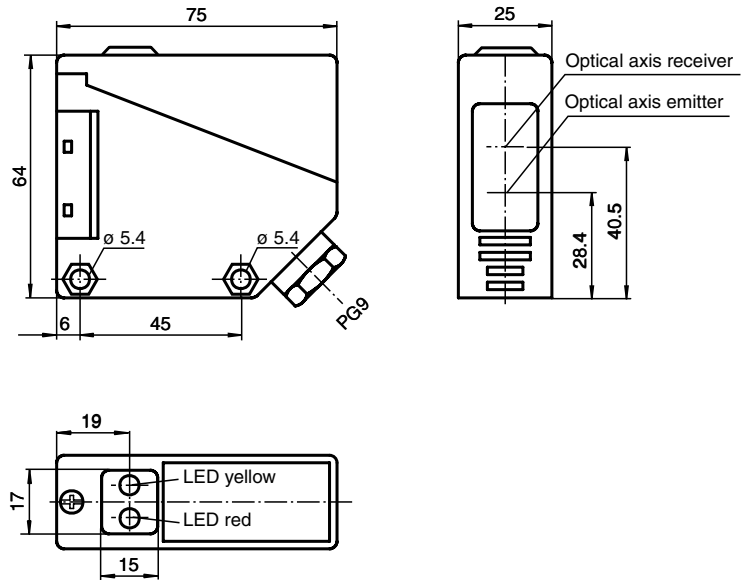
Features

- Light/Dark ON, switchable
- Relay output
- Direct/alternating voltage
- Visible red light
- Terminal compartment
- Supplied with reflector and mounting accessory
- Pre-fault indication and output

OCS20M-F8-UKT:

- Timer function

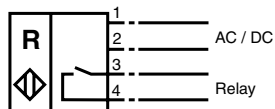
Dimensions



Mounting accessories etc., see section "accessories"

Electrical connection

UK / UKT:



Technical data

Valid for the whole family

General specifications

Sensing range	0 ... 20000 mm
Reference target	Retro-reflector 50 mm x 50 mm Type ORR 50
Operating mode	Light/Dark ON, switchable
Light type	Red light 660 nm
Ambient light limit	≤ 10000 Lux sun light ≤ 7500 Lux halogen light
Reflector range	3000 ... 20000 mm
Standard conformity	EN 60947-5-2

Electrical specifications

Rated operational voltage	U_e 12 ... 240 V DC ± 10% 24 ... 240 V AC ± 10 %, 50 ... 60 Hz
No-load supply current	I_0 ≤ 55 mA
Power consumption	P_0 3 VA
Time delay before availability	t_v ≤ 50 ms

Indicating/operating means

LED yellow	Switching state
LED red	Pre-fault indication
Potentiometer	Adjustment of the sensitivity

Output

Output type	normally open/closed
Rated operational current	I_e 1 relay output (ohm. load), 240 V AC max. 3 A; 30 V DC max. 3 A
Voltage drop	≤ 3 V
Switching frequency	f ≤ 300 Hz
Switch-on delay	t_{on} 1.5 ms

Ambient conditions

Ambient temperature	-25 ... 55 °C (248 ... 328 K)
Storage temperature	-40 ... 55 °C (233 ... 328 K)

Mechanical specifications

Protection degree	IP66 according to EN 60529
Connection type	Terminal compartment PG9, ≤ 2.5 mm ²
Material	
Housing	PBT
Light exit	PMMA
Mass	110 g

Version data

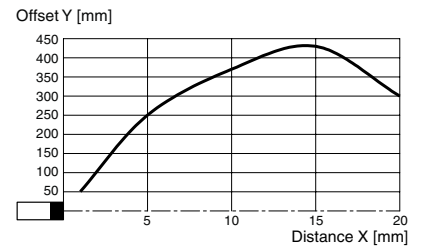
Model number	OCS20M-F8-UK	OCS20M-F8-UKT
Timer function		On-/off-delay or pulse extension on choice

Model number

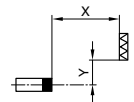
OCS20M-F8-UK
OCS20M-F8-UKT

Characteristic curves

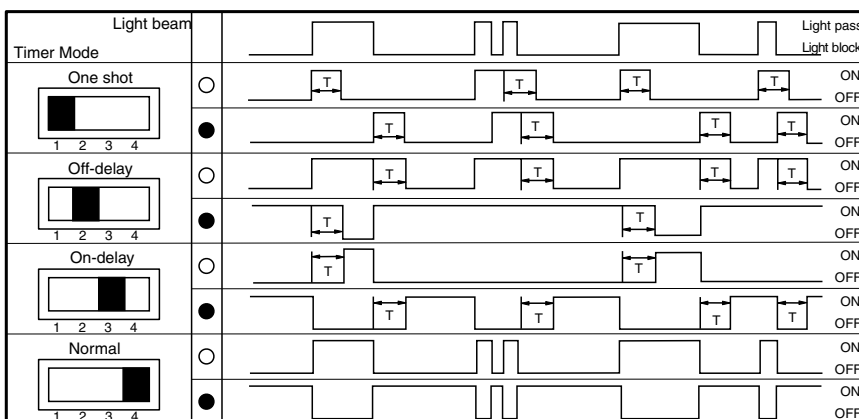
Characteristic response curve



Permissible distance (offset) between optical axis and retro-reflector.



Note



○ Denotes Light - ON $T = 0.1 \dots 10$ sec.

● Denotes Dark - ON