

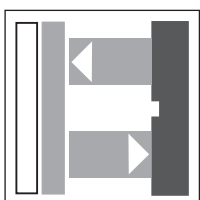
## Series -F44

## Dimensions



### Diffuse reflective photoelectric sensor

OCH1000-F44-A0-V15  
OCH1000-F44-A2-V15

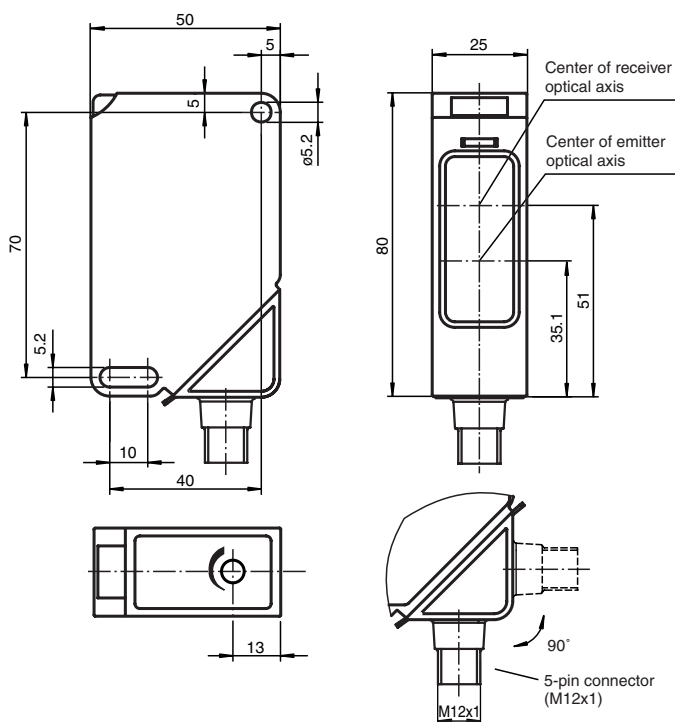


1000 mm



### Features

- Background suppression
- Pre-fault indication
- Test input
- Connector (M12x1) 90° adjustable position
- Protection degree IP67

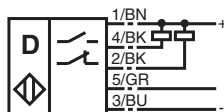


Connectors, mounting accessories etc... see "accessories" section

e.g. connectors: V15-G-2M-PVC (straight)  
V15-W-2M-PVC (angled)

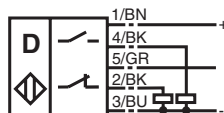
### Electrical connection

A0:



- 1 - Supply +
- 2 - inverted switch output or pre-fault output (optional)
- 3 - Supply -
- 4 - Switch output
- 5 - Control input

A2:



**Valid for the whole family**

OCH1000-F44-A0-V15  
OCH1000-F44-A2-V15

**General specifications**

Sensing range	40 ... 1000 mm
Adjustment range	50 ... 1000 mm
Reference target	Standard white 200 mm x 200 mm
Light type	IR-light 860 nm
Ambient light limit	≤ 10000 Lux sun light ≤ 7500 Lux halogen light

**Indicating/operating means**

LED green	Power on
LED yellow	Switching state
LED red	2 Hz flashing, pre-fault indication
Adjuster	Adjustment of the sensing range

**Electrical specifications**

Rated operational voltage	$U_e$	10 ... 30 V DC , ripple 10 % <sub>SS</sub>
No-load supply current	$I_0$	≤ 40 mA
Time delay before availability	$t_v$	≤ 20 ms

**Output**

Rated operational current	$I_e$	≤ 200 mA , short circuit/overload protected
Voltage drop	$U_d$	≤ 2.5 V
Switching frequency	f	≤ 500 Hz

**Input**

Internal resistor		≥ 12 kOhm
Switch-on delay	$t_{on}$	≤ 3 ms
Switch-off delay	$t_{off}$	≤ 3 ms

**Ambient conditions**

Ambient temperature	-25 ... 60 °C (248 ... 333 K)
Storage temperature	-40 ... 70 °C (233 ... 343 K)

**Mechanical specifications**

Protection degree	IP67 according to EN 60529
Connection type	connector V15 (M12 x 1), 5 pin, rotatable through 90°
Material	
Housing	ABS
Light exit	PMMA
Mass	50 g

**Version data**

Model number	OCH1000-F44-A0-V15	OCH1000-F44-A2-V15
Output type	2 switch outputs npn, NO/NC (antivalent), Pre-fault indication on demand	2 switch outputs pnp, NO/NC (antivalent), Pre-fault indication on demand
Input type	1 test input non active: ≥ 7 V, active: ≤ 2 V or unconnected	1 test input, non active: ≤ 2 V or not connected; active: ≥ 7 V