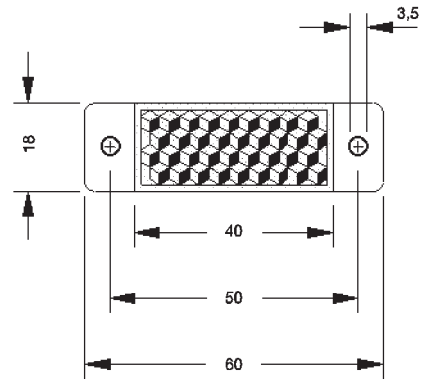


Accessories - Reflectors

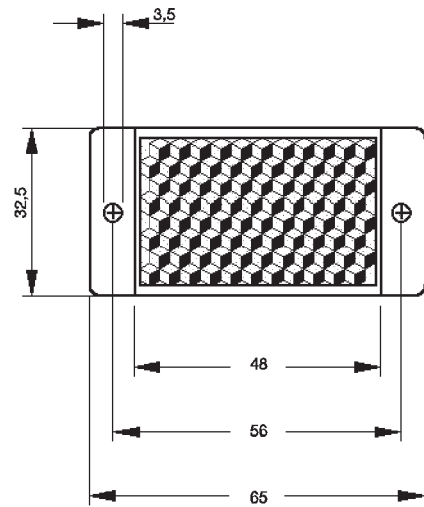
ORR 40/18

Retro-reflector
 Reflector surface 40x18
 Lateral mounting holes



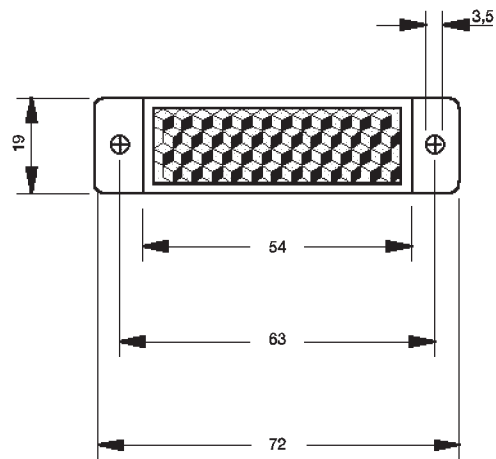
ORR 48/32

Retro-reflector
 Reflector surface 48x32
 Lateral mounting holes



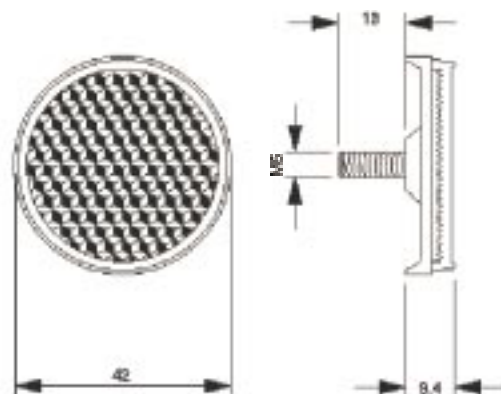
ORR 53/19

Retro-reflector
 Reflector surface 53x19
 Lateral mounting holes



ORR 42

Retro-reflector
 Reflector surface $\varnothing 42$
 including centrally injected, threaded M 5x12
 peg



Date of issue 13.01.98