

Features

- Panel PC
- Device installation in Zone 2 or Zone 22
- 19" Monitor (48.3 cm)
- Network based data transfer via Ethernet
- Adapted for long distances between Panel PC and automation devices via LAN

Application

VisuNet EX2 GMP devices are operator workstations for use in GMP conditions and come with a manufacturer's declaration of conformity to this effect. Typical application locations are the pharmaceutical and food industries as well as the production of cosmetics, flavour and nutrition.

The operator workstations are available as Remote Monitors and as Panel PCs.

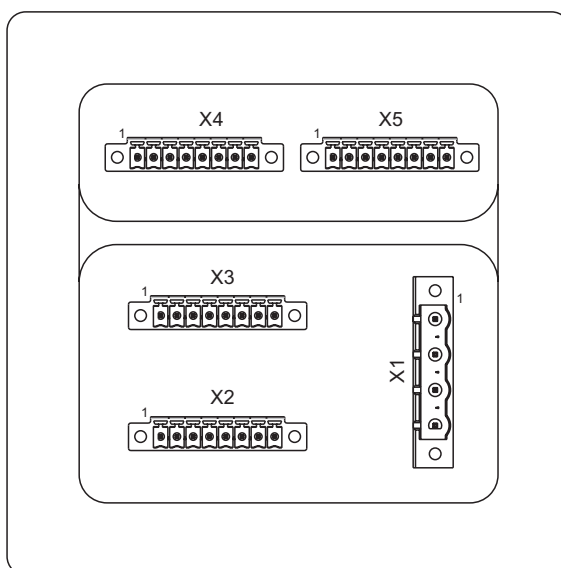
The Panel PCs are especially suitable as standalone solutions or in conjunction with a PLC.

Panel PCs come with all the functionality of PCs.

The Panel PCs run under Windows XP Professional or Windows 7 Ultimate FES. Software packages for control, visualisation and production can thus be easily installed.



Connection



- X1 Power supply Ex nA
- X2 Ethernet Ex nA
- X3 Com 1 Ex nA; USB Ex nA
- X4 USB Ex ic (mouse/keyboard)
- X5 USB Ex ic;
TTY (Powerscan PSCAN) optional

Devices of type VisuNet EX2 GMP always consist of 2 units:

1. VisuNet EX2 GMP basic unit (display)
2. EX2 mounting bracket

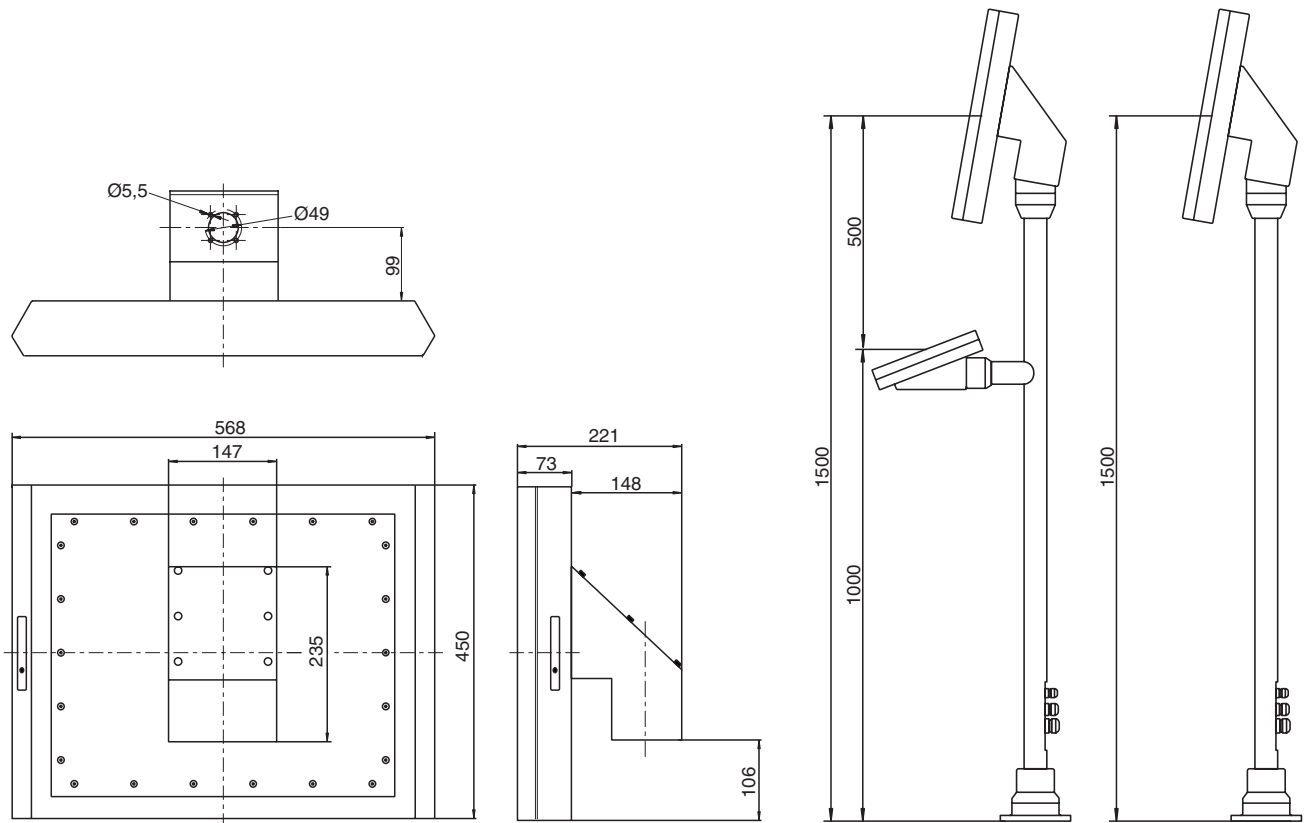
Only VisuNet EX2 GMP basic units (displays) with proper EX2 mounting bracket are allowed to be used in hazardous areas (zone 2/22).

General specifications	
Type	Panel PC
Hardware	
Processor	1.6 GHz Intel® Atom™
RAM	2 GB
Mass storage	80 GByte Solid State Drive
Supply	
Rated voltage	24 V DC
Input voltage range	20 ... 30 V DC (SELV)
Power consumption	max. 70 W
Indicators/operating means	
Display	
Type	TFT, LCD
Screen diagonal	48.3 cm (19")
Resolution	1280 x 1024 Pixel
Color depth	16.7 Mio. (24 bit, true color)
Contrast	1300:1
Brightness	300 cd/m ²
Life span	50.000 h @ 25 °C
Input devices	Analog resistive touchscreen (optional) , Keyboard with integrated mouse functionality: touchpad/joystick versions available
Interface	
Interface type	1 x Ethernet (Ex nA) , 3 x USB (Ex ic) , 1 x RS 232 (Ex nA) , 1 x USB (Ex nA), 1 x TTY optional
Directive conformity	
Electromagnetic compatibility	
Directive 2004/108/EC	EN 61000-4-2: 2009, EN 61000-4-3: 2006 + A1: 2008, EN 61000-4-4: 2004, EN 61000-4-5: 2006, EN 61000-4-6: 2009, EN 55011: 2009, EN 61000-6-2: 2005, EN 61000-6-4: 2007
Explosion protection	
Directive 94/9/EC	EN 60079-0:2009, EN 60079-11:2007 , EN 60079-31:2009, IEC 60079-15:Ed. 2010
Software	
Operating system	Windows XP Professional / Windows 7 Ultimate FES
Ambient conditions	
Ambient temperature	0 ... 50 °C (32 ... 122 °F)
Storage temperature	-10 ... °C (14 ... °F) ... 60 °C (... 140 °F)
Relative humidity	max. 85 % non-condensing
Mechanical specifications	
Protection degree	IP66
Material	
Surface	stainless steel 1.4301 / AISI 304
Surface quality	R _a ≤ 0.8 μm
Mounting type	slim line housing several mounting options (pedestal turnable)
Mass	approx. 13 kg
Dimensions	568 mm x 450 mm x 73 mm
Data for application in connection with Ex-areas	
Certificate of conformity	
Group, category, type of protection	PF 11 CERT 1922 X , Type Examination Certificate on demand ⊕ II 3G Ex nAnR [ic] IIC T4 Gc ⊕ II 3D Ex tc [ic] IIIB T85°C Dc IP54
Power supply	
Connection	X1: 1 ... 4
Rated voltage	24 V DC
Rated current	< 2.5 A
Maximum safe voltage U _m	60 V
Interface type 1	
Connection	Ethernet (Ex nA)
Rated voltage	X2: 1 ... 8 30 V
Rated current	400 mA
Maximum safe voltage U _m	60 V
Interface type 2	
Connection	Serial interface RS 232 (Ex nA)
Rated voltage	X3: 1 ... 4 ±15 V
Rated current	200 mA
Maximum safe voltage U _m	60 V

Release date 2013-01-18 09:53 Date of issue 2013-01-18 t49254_eng.xml

Interface type 3		USB (Ex nA)
Connection		X3: 5 ... 8
Rated voltage		5 V
Rated current		< 500 mA
Maximum safe voltage U_m		60 V
Interface type 4		USB (Ex ic)
Connection		X4: 1 ... 4 X4: 5 ... 8
Voltage	U_o	4.95 V
Current	I_o	234 mA
Power	P_o	570 mW
Characteristic curve		trapezoid
Internal resistor		41.6 Ω
Lumped capacitances OR inductances		$C_o = 100 \mu\text{F}$ $L_o = 1 \text{ mH}$
Interface type 5		USB (Ex ic)
Connection		X5: 1 ... 4
Voltage	U_o	4.95 V
Current	I_o	472 mA
Power	P_o	1582 mW
Characteristic curve		trapezoid
Internal resistor		33.2 Ω
Lumped capacitances AND inductances		$C_o = 14 \mu\text{F}$ $L_o = 5 \mu\text{H}$
Lumped capacitances OR inductances		$C_o = 100 \mu\text{F}$ $L_o = 0.3 \text{ mH}$
Interface type 6		TTY (Ex ib)
Connection		X5: 5 ... 8
Voltage	U_o	8.9 V
Current	I_o	156 mA
Power	P_o	1.4 W
Characteristic curve		rectangular
Lumped capacitances AND inductances		$C_o = 0.6 \mu\text{F}$ $L_o = 0.15 \text{ mH}$
Lumped capacitances OR inductances		$C_o = 2.4 \mu\text{F}$ $L_o = 3 \text{ mH}$

Dimensions



Accessories

- PSCAN-D-1*-F2-*
- Barcode reader
- PSCAN-C*
- Charger
- PSCAN-B*
- Base station
- PSCAN-M*
- Barcode reader
- VisuNet EX2 GMP*

Pedestals

Model Number	Description
PEDESTAL1-150-1P-KP-G-T-304	Pedestal incl. EX2 mounting bracket, turnable approx. 350°, monitor 10° tilted, with pipe for keyboard
PEDESTAL1-150-1P-NP-G-T-304	Pedestal incl. EX2 mounting bracket, turnable approx. 350°, monitor 10° tilted
PEDESTAL1-150-1P-KP-G-T-S3-304	Pedestal incl. EX2 mounting bracket, turnable approx. 350°, monitor 10° tilted, with pipe for keyboard with receptacle for barcode reader mounted
PEDESTAL1-150-1P-NP-G-T-S3-304	Pedestal incl. EX2 mounting bracket, turnable approx. 350°, monitor 10° tilted, with receptacle for barcode reader mounted

Release date 2013-01-18 09:53 Date of issue 2013-01-18 149254_eng.xml

Type code VisuNet GMP EX2 PC37*

Monitor Type	Screen Type	Protection	Board specification	Power supply	Housing frontplate version	Keyboard housing	Keyboard Mouse version	Keyboard Layout	Accessories	Options
Monitor Type, Display size										
PC3719	Panel-PC 19"									
Screen Type										
E	antiglare class front									
T	Touch screen resistive									
Protection										
A1	ATEX II 3G Ex nA nR [ic] IIC T4 Gc, II 3D Ex tc [ic] IIIB T85°C Dc IP54									
Board Specification										
P7	Intel Atom 1.6 GHz, 2GB RAM, 80GB SSD, Windows XP professional SP3 multilingual									
P8	Intel Atom 1.6 GHz, 2GB RAM, 80GB SSD, Windows 7 multilingual									
Power supply										
DC	24 V DC									
Housing frontplate version										
SL2N	Slim-Line stainless steel housing									
Keyboard housing										
N	no keyboard & mouse housing									
R	Keyboard & mouse housing, stainless steel									
C	Keyboard & mouse housing, tiltable 90° -180°, stainless steel									
Keyboard / Mouse version										
K0	No keyboard									
K3	Foil keyboard with mechanical trackball									
K4	Foil keyboard with touchpad									
K6	Foil keyboard with joystick									
Keyboard Layout										
L0	No keyboard									
DE	Keyboard Layout German									
US	Keyboard Layout US-international									
FR	Keyboard Layout French									
XX	More Keyboard layouts by request									
Special accessories										
S0	no special accessories									
S3	Wired handheld barcode reader									
A1	Wireless handheld barcode reader									
Options										
N	No options									

Release date 2013-01-18 09:53 Date of issue 2013-01-18 k49254_eng.xml