

Features

- 8-channel
- Outputs wired to Ex e terminals
- Installation in suitable enclosures in Zone 1 or Zone 21
- Line fault detection (LFD)
- Positive or negative logic selectable
- Simulation mode for service operations (forcing)
- Permanently self-monitoring
- Up to SIL2 acc. to IEC 61508
- Output with watchdog
- Output with bus-independent safety shutdown input

Function

The device features 8 independent channels.

The device can be used to drive low power solenoids, sounders, or LEDs.

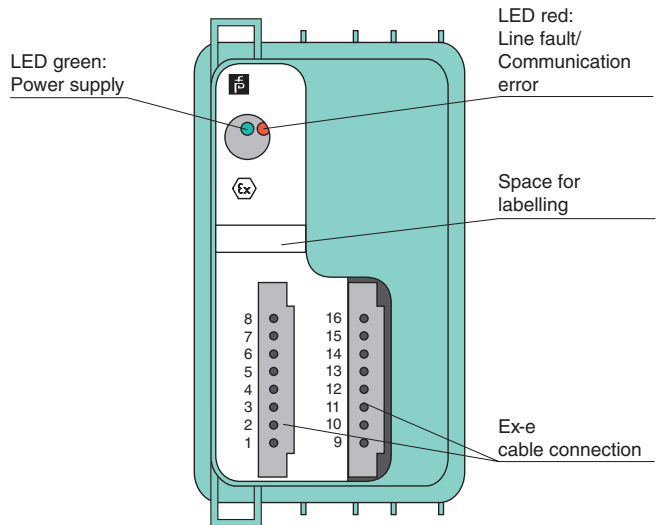
Open and short-circuit line faults are detected.

The outputs are galvanically isolated from the bus and the power supply.

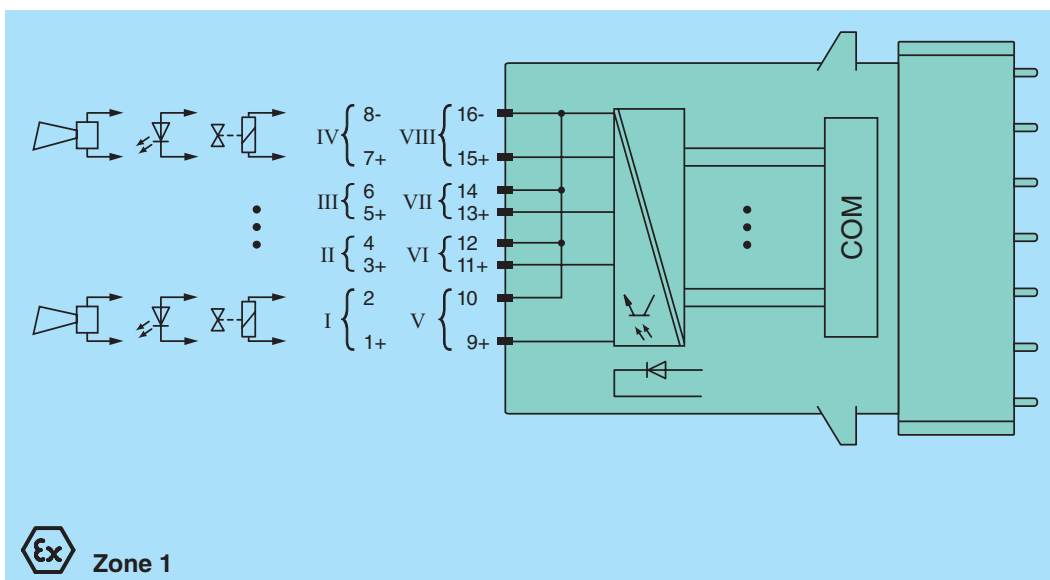
The outputs can be switched off via a contact. This can be used for bus-independent safety applications.

Assembly

Front view



Connection



Release date 2012-12-10 11:50 Date of issue 2012-12-10 t34940_eng.xml

Supply	
Connection	backplane bus
Rated voltage	12 V DC , only in connection with the power supplies FB92**
Power consumption	2.2 W
Internal bus	
Connection	backplane bus
Interface	manufacturer specific bus to standard Com Unit/gateway
Output	
Connection	wire ends 1/9+ (white), 2/10 (brown), 3/11+ (green), 4/12 (yellow), 5/13+ (grey), 6/14 (pink), 7/15+ (blue), 8/16 (red)
Watchdog	output off 0.5 s after serious fault
Digital signals (active/short-protected)	20 V, 8 mA per channel
LFD test current	0.33 mA
Indicators/settings	
LED indicator	LED green: supply LED red: line fault , communication error
Directive conformity	
Electromagnetic compatibility	
Directive 2004/108/EC	EN 61326-1
Conformity	
Electromagnetic compatibility	NE 21
Protection degree	IEC 60529
Environmental test	EN 60068-2-14
Shock resistance	EN 60068-2-27
Vibration resistance	EN 60068-2-6
Damaging gas	EN 60068-2-42
Relative humidity	EN 60068-2-56
Ambient conditions	
Ambient temperature	-20 ... 60 °C (-4 ... 140 °F)
Storage temperature	-25 ... 85 °C (-13 ... 185 °F)
Relative humidity	95 % non-condensing
Shock resistance	shock type I, shock duration 11 ms, shock amplitude 50 m/s ² , number of shock directions 6, number of shocks per direction 100
Vibration resistance	frequency range 5 ... 500 Hz, amplitude 5 ... 13.2 Hz ± 1.5 mm, 13.2 ... 100 Hz 1g, sweep rate 1 octave/min, duration 10 sweeps 5 Hz - 100 Hz - 5 Hz
Damaging gas	for plugs: 21 days in 25 ppm SO ₂ , at 25 °C and 75 % rel. humidity, device G3
Mechanical specifications	
Protection degree	IP20 (module) , a separate housing is required acc. to the system description
Connection	wire ends or shielded cable tail wiring connection separately covered Ex e terminals required
Mass	approx. 750 g
Dimensions	57 x 107 x 132 mm (2.2 x 4.2 x 5.2 in)
Data for application in connection with Ex-areas	
EC-Type Examination Certificate	PTB 97 ATEX 1074 U , PTB 97 ATEX 1075 (system) , for additional certificates see www.pepperl-fuchs.com
Group, category, type of protection	 II 2 G Ex d IIC
Electrical isolation	
Output/power supply, internal bus	safe electrical isolation acc. to IEC/EN 60079-11, voltage peak value 375 V
Directive conformity	
Directive 94/9/EC	EN 60079-0 , EN 60079-1
Internationl approvals	
IECEx approval	pending
General information	
System information	The module has to be mounted in appropriate backplanes and housings (FB92**) in Zone 1, 2, 21, 22 or outside hazardous areas (gas or dust). Here, the corresponding EC-Type Examination Certificate has to be observed.
Supplementary information	EC-Type Examination Certificate, Statement of Conformity, Declaration of Conformity, Attestation of Conformity and instructions have to be observed where applicable. For information see www.pepperl-fuchs.com .

Release date 2012-12-10 11:50 Date of issue 2012-12-10 t34940_eng.xml

Versions

Model number	Options
FB6308B150	digital output with shutdown input, 20 V DC, 8 mA, wire ends, 150 cm
FB6308BS200G	digital output with shutdown input, 20 V DC, 8 mA, shielded cable tail, 200 cm
FB6308CS200	digital output with shutdown input, 21.6 V DC, 5.2 mA, shielded cable tail, 200 cm