



- Industrial standard housing Ø58 mm
- PROFIBUS interface
- 16 Bit singleturn
- Ex approval for zone 2 and zone 22
- Speed transfer
- Extended scaling functions
- Programmable limit switches
- Commissioning mode

Product description

This series of PROFIBUS rotary encoders is based on the modern fast technology of singleturn sampling and the mechanical gear box of the multiturn unit. The absolute encoder corresponds to the PROFIBUS profile for encoders, order no. 3.062. Operation is supported based on Class 1 and Class 2.

For operation based on Class 1, position data and diagnostic data bytes 1 ... 16 are available. In addition, the direction of the code can be selected as either cw ascending (clockwise rotation, code course ascending) or cw descending (clockwise rotation, code course descending).

If the rotary encoder is operated according to Class 2, additional functions to those from Class 1 are available. These include scaling of the resolution per revolution and the overall resolution, as well as the preset function. In addition, expanded diagnostic reporting is supported.

Besides, the rotary encoder offers extended functionalities such as speed transfer, extended scaling functions, programmable limit switches and a commissioning mode.

The removable connecting hood contains a slide switch for setting the terminating resistor and the rotary switches for setting the address. Assign a fixed address and bus termination to the encoder with this switches.

The absolute encoder is mounted directly onto the application shaft, without any coupling. Rotation of the absolute encoder is prevented by a torque rest.

This Profibus encoder is designed for operation in zone 2 and zone 22.

PSS58X



Technical data

General specifications

Detection type photoelectric sampling

Functional safety related parameters

MTTF_d 80 a

Mission Time (T_M) 20 a

L_{10h} 1.9 E+11 at 6000 rpm and 20/40 N axial/radial shaft load

Diagnostic Coverage (DC) 0 %

Electrical specifications

Operating voltage U_B 10 ... 30 V DC

Current consumption max. 230 mA at 10 V DC, max. 100 mA at 24 V DC

Linearity ± 2 LSB at 16 Bit, ± 1 LSB at 13 Bit, ± 0,5 LSB at 12 Bit

Output code binary code

Code course (counting direction) programmable,
cw ascending (clockwise rotation, code course ascending)
cw descending (clockwise rotation, code course descending)

Interface

Interface type PROFIBUS

Resolution

Single turn up to 16 Bit

Overall resolution up to 16 Bit

Transfer rate 0.0096 ... 12 MBit/s

Standard conformity PNO profile 3.062, RS 485

Connection

Terminal compartment in removable housing cover

Standard conformity

Protection degree DIN EN 60529,
shaft side: IP64 (without shaft seal)/IP66 (with shaft seal)
housing side: IP65

Climatic testing DIN EN 60068-2-3, no moisture condensation

Emitted interference EN 61000-6-4:2007

Noise immunity EN 61000-6-2:2005

Shock resistance DIN EN 60068-2-27, 100 g, 6 ms

Vibration resistance DIN EN 60068-2-6, 10 g, 10 ... 2000 Hz

Ambient conditions

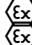
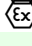
Operating temperature -30 ... 55 °C (-22 ... 131 °F)

Storage temperature -30 ... 70 °C (-22 ... 158 °F)

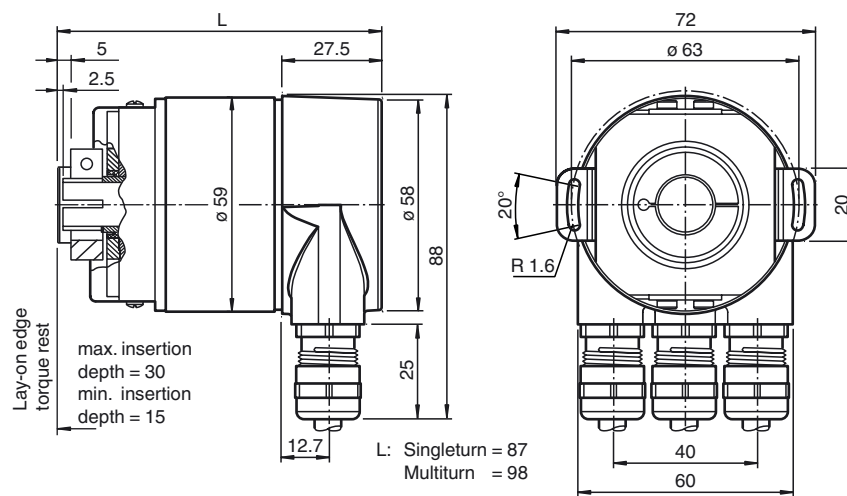
Mechanical specifications

Material
Combination 1 housing: powder coated aluminium
flange: aluminium
shaft: stainless steel

Date of edition 2013-02-26

| | |
|---|--|
| Mass | approx. 550 g (combination 1) |
| Rotational speed | max. 6000 min ⁻¹ |
| Moment of inertia | 30 gcm ² |
| Starting torque | ≤ 3 Ncm (version without shaft seal) |
| Tightening torque, fastening screws | max. 1.8 Nm |
| Shaft load | |
| Angle offset | ± 0.9 ° |
| Axial offset | static: ± 0.3 mm, dynamic: ± 0.1 mm |
| Radial offset | static: ± 0.5 mm, dynamic: ± 0.2 mm |
| Data for application in connection with Ex-areas | |
| EC-Type Examination Certificate | |
| Group, category, type of protection |  II 3G Ex nA IIB T4 Gc  II 3D Ex tc IIIC T120°C Dc IP64 |
| Directive conformity | |
| Directive 94/9/EC | EN 60079-0:2012 , EN 60079-15:2010 , EN 60079-31:2009 |

Dimensions

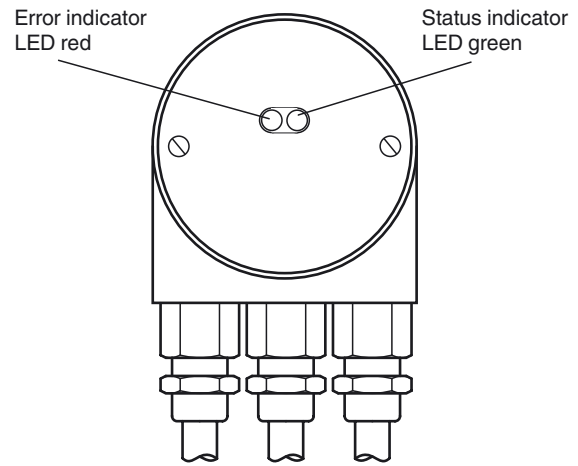
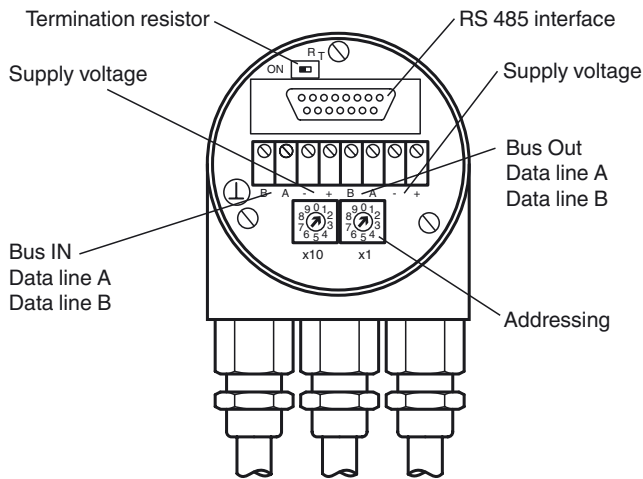


Electrical connection

| Terminal | Explanation |
|-----------|---|
| ⊥ | Ground connection for power supply |
| B (left) | Data line B (pair 1), Bus In |
| A (left) | Data line A (pair 1), Bus In |
| (-) | 0 V |
| (+) | 10 V ... 30 V |
| B (right) | Data line B (pair 2), Bus Out |
| A (right) | Data line A (pair 2), Bus Out |
| (-) | 0 V |
| (+) | 10 V ... 30 V |
| | The supply lines only have to be connected once (regardless to which terminal). The outgoing bus is being uncoupled while the terminal resistor is on. |

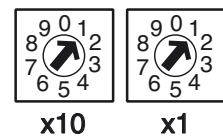
The arrangement of the terminals is shown in the section operating elements.

Indicating and operating elements



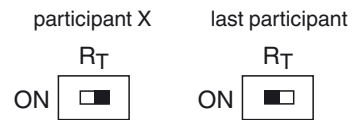
Adjusting the participant address

The participant address can be adjusted with the rotary switches. The address can be defined between 1 and 99, and may only be assigned once.



Adjusting the termination resistor

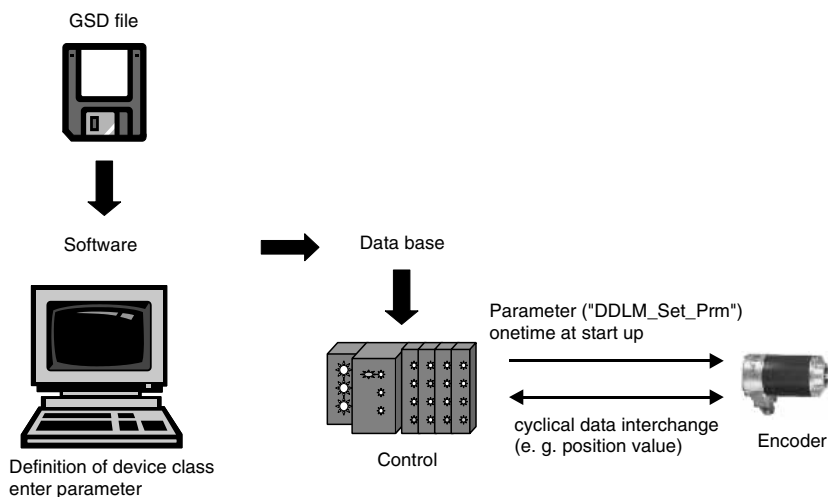
The terminating resistor R_T (121 Ω) can be connected to the circuit by means of the switch:



LED-indicators

| LED red | LED green | Meaning |
|----------|-----------|---|
| off | off | No voltage supply |
| on | on | Encoder ready, no configuration data received. possible reasons: - wrong address adjusted - wrong bus wiring |
| on | flashing | Parameterising or configuration error. Encoder receives data of incorrect length or inconsistent data. possible reason: - adjusted encoder resolution exceeds |
| flashing | on | Encoder ready, no communication with master (i.e. wrong address setting) |
| on | off | Data timeout (> 40 s). (i.e. data lines interrupted) |
| off | on | Normal operation, Data Exchange Mode |
| off | flashing | Installation Mode in Data Exchange Mode. |

Principle of data transmission



Date of edition 2013-02-26

Parameter table encoder classes P+F 2.1 and P+F 2.2

| Octet number (Byte) | Parameter | Bit number |
|---------------------|--|------------|
| 1...8 | PROFIBUS standard parameters | |
| 9 | Direction of rotation | 0 |
| | Class 2 functionality | 1 |
| | Commissioning Diagnostics | 2 |
| | Scaling function | 3 |
| | Reserved | 4 |
| | Reserved | 5 |
| | Activate manufacturer specific parameters (Octet 26) | 6 |
| | Reserved | 7 |
| 10 ... 13 | Desired measuring steps (reference: Octet 26, Bit 0 and 1) | |
| 14 ... 17 | Overall resolution | |
| 18 ... 25 | Reserved | |
| 26 | Reference for desired measuring steps | 0 |
| | | 1 |
| | Activate commissioning mode | 2 |
| | Reduced diagnosis | 3 |
| | Reserved | 4 |
| | Activate lower software limit switch | 5 |
| | Activate upper software limit switch | 6 |
| | Activation of the parameters from Octet 27 | 7 |
| 27 ... 30 | Lower limit switch | |
| 31 ... 34 | Upper limit switch | |
| 35 ... 38 | Physical measuring steps | |
| 39 | Reserved | 0 |
| | Rotary encoder type (singleturn or multiturn) | 1 |
| | Reserved | 2 |
| | Reserved | 3 |
| | Selection of the unit for speed transfer | 4 |
| | | 5 |
| | Reserved | 6 |
| | Reserved | 7 |

Order code

