



- Industrial standard housing Ø58 mm
- PROFIBUS interface
- 16 Bit singleturn
- Ex approval for zone 2 and zone 22
- Speed transfer
- Extended scaling functions
- Programmable limit switches
- Commissioning mode

**Product description**

This series of PROFIBUS rotary encoders is based on the modern fast technology of singleturn sampling and the mechanical gear box of the multiturn unit. The absolute encoder corresponds to the PROFIBUS profile for encoders, order no. 3.062. Operation is supported based on Class 1 and Class 2.

For operation based on Class 1, position data and diagnostic data bytes 1 ... 16 are available. In addition, the direction of the code can be selected as either cw ascending (clockwise rotation, code course ascending) or cw descending (clockwise rotation, code course descending).

If the rotary encoder is operated according to Class 2, additional functions to those from Class 1 are available. These include scaling of the resolution per revolution and the overall resolution, as well as the preset function. In addition, expanded diagnostic reporting is supported.

Besides, the rotary encoder offers extended functionalities such as speed transfer, extended scaling functions, programmable limit switches and a commissioning mode.

The removable connecting hood contains a slide switch for setting the terminating resistor and the rotary switches for setting the address. Assign a fixed address and bus termination to the encoder with this switches.

The device is designed for shaft mounting and is available in servo flange or clamping flange design. This Profibus encoder is designed for operation in zone 2 and zone 22.


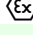
**PVS58X**



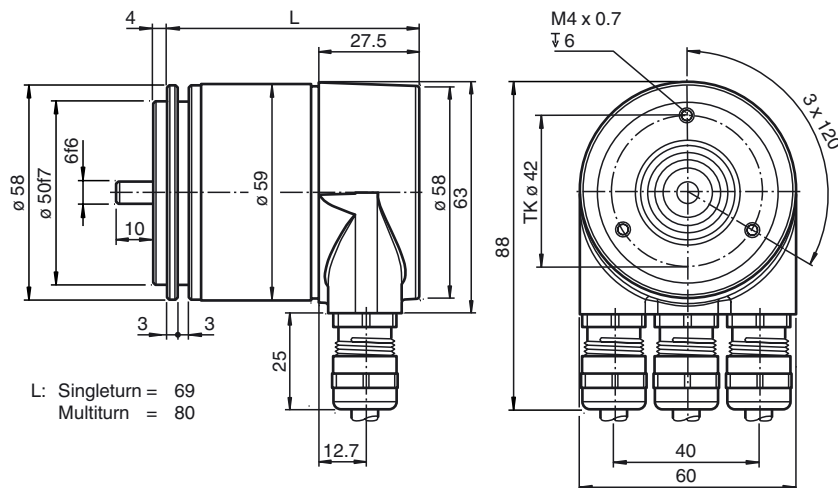
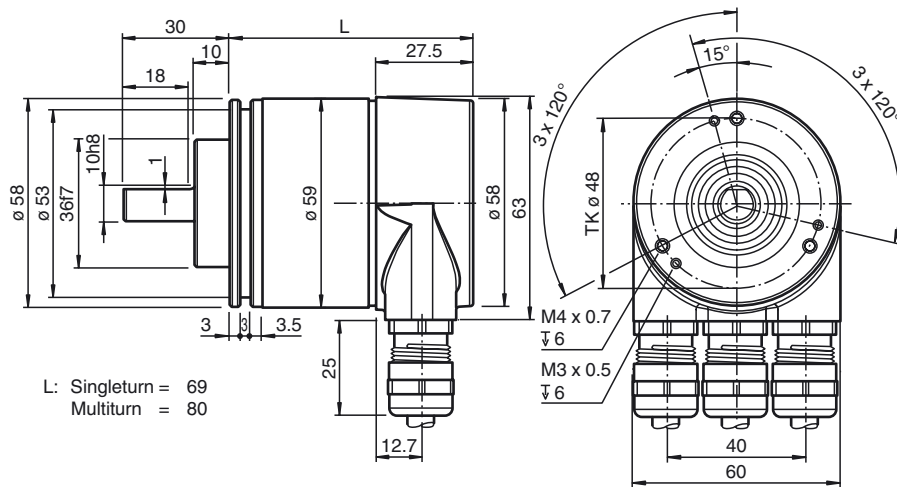
**Technical data**

<b>General specifications</b>	
Detection type	photoelectric sampling
<b>Functional safety related parameters</b>	
MTTF <sub>d</sub>	80 a
Mission Time (T <sub>M</sub> )	20 a
L <sub>10h</sub>	1.9 E+11 at 6000 rpm and 20/40 N axial/radial shaft load
Diagnostic Coverage (DC)	0 %
<b>Electrical specifications</b>	
Operating voltage U <sub>B</sub>	10 ... 30 V DC
Current consumption	max. 230 mA at 10 V DC, max. 100 mA at 24 V DC
Linearity	± 2 LSB at 16 Bit, ± 1 LSB at 13 Bit, ± 0,5 LSB at 12 Bit
Output code	binary code
Code course (counting direction)	programmable, cw ascending (clockwise rotation, code course ascending) cw descending (clockwise rotation, code course descending)
<b>Interface</b>	
Interface type	PROFIBUS
<b>Resolution</b>	
Single turn	up to 16 Bit
Overall resolution	up to 16 Bit
Transfer rate	0.0096 ... 12 MBit/s
Standard conformity	PNO profile 3.062, RS 485
<b>Connection</b>	
Terminal compartment	in removable housing cover
<b>Standard conformity</b>	
Protection degree	DIN EN 60529, shaft side: IP64 (without shaft seal)/IP66 (with shaft seal) housing side: IP65
Climatic testing	DIN EN 60068-2-3, no moisture condensation
Emitted interference	EN 61000-6-4:2007
Noise immunity	EN 61000-6-2:2005
Shock resistance	DIN EN 60068-2-27, 100 g, 6 ms
Vibration resistance	DIN EN 60068-2-6, 10 g, 10 ... 2000 Hz
<b>Ambient conditions</b>	
Operating temperature	-30 ... 55 °C (-22 ... 131 °F)
Storage temperature	-30 ... 70 °C (-22 ... 158 °F)
<b>Mechanical specifications</b>	
Material	
Combination 1	housing: powder coated aluminium flange: aluminium shaft: stainless steel

Date of edition 2013-02-26

Mass	approx. 550 g (combination 1)
Rotational speed	max. 6000 min <sup>-1</sup>
Moment of inertia	30 gcm <sup>2</sup>
Starting torque	≤ 3 Ncm (version without shaft seal)
Shaft load	
Axial	40 N
Radial	110 N
<b>Data for application in connection with Ex-areas</b>	
EC-Type Examination Certificate	
Group, category, type of protection	 II 3G Ex nA IIB T4 Gc  II 3D Ex tc IIIC T120°C Dc IP64
Directive conformity	
Directive 94/9/EC	EN 60079-0:2012 , EN 60079-15:2010 , EN 60079-31:2009

## Dimensions



## Electrical connection

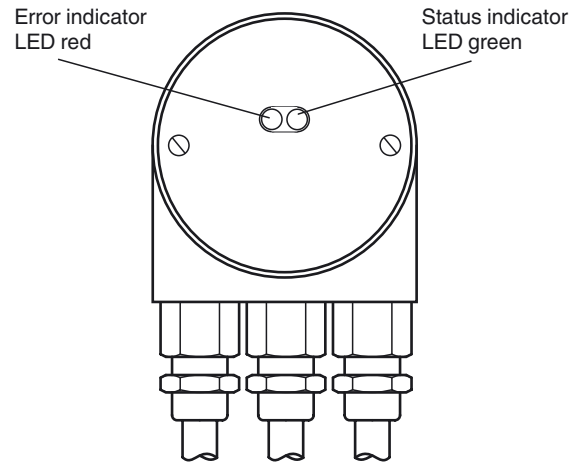
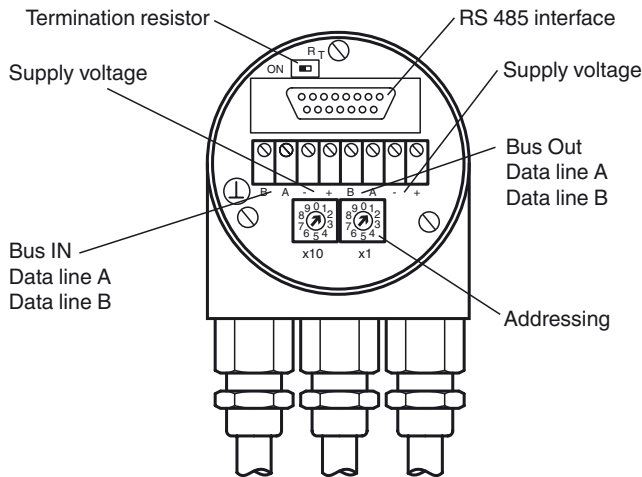
Terminal	Explanation
⊥	Ground connection for power supply
B (left)	Data line B (pair 1), Bus In
A (left)	Data line A (pair 1), Bus In
(-)	0 V
(+)	10 V ... 30 V
B (right)	Data line B (pair 2), Bus Out
A (right)	Data line A (pair 2), Bus Out
(-)	0 V
(+)	10 V ... 30 V

Date of edition 2013-02-26

The supply lines only have to be connected once (regardless to which terminal).  
The outgoing bus is being uncoupled while the terminal resistor is on.

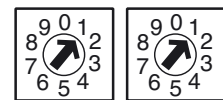
The arrangement of the terminals is shown in the section operating elements.

### Indicating and operating elements



#### Adjusting the participant address

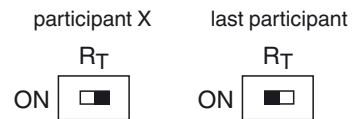
The participant address can be adjusted with the rotary switches. The address can be defined between 1 and 99, and may only be assigned once.



x10 x1

#### Adjusting the termination resistor

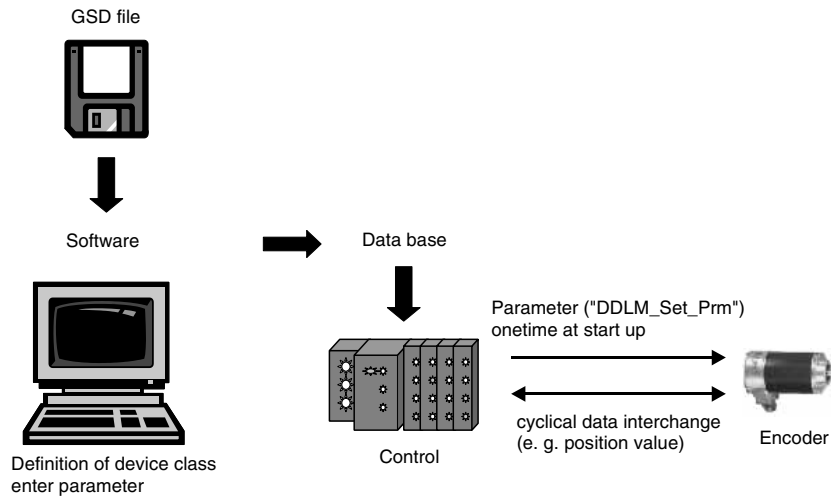
The terminating resistor  $R_T$  (121  $\Omega$ ) can be connected to the circuit by means of the switch:



#### LED-indicators

LED red	LED green	Meaning
off	off	No voltage supply
on	on	Encoder ready, no configuration data received. possible reasons: - wrong address adjusted - wrong bus wiring
on	flashing	Parameterising or configuration error. Encoder receives data of incorrect length or inconsistent data. possible reason: - adjusted encoder resolution exceeds
flashing	on	Encoder ready, no communication with master (i.e. wrong address setting)
on	off	Data timeout (> 40 s). (i.e. data lines interrupted)
off	on	Normal operation, Data Exchange Mode
off	flashing	Installation Mode in Data Exchange Mode.

### Principle of data transmission



### Parameter table encoder classes P+F 2.1 and P+F 2.2

Octet number (Byte)	Parameter	Bit number
1...8	PROFIBUS standard parameters	
9	Direction of rotation	0
	Class 2 functionality	1
	Commissioning Diagnostics	2
	Scaling function	3
	Reserved	4
	Reserved	5
	Activate manufacturer specific parameters (Octet 26)	6
	Reserved	7
10 ... 13	Desired measuring steps (reference: Octet 26, Bit 0 and 1)	
14 ... 17	Overall resolution	
18 ... 25	Reserved	
26	Reference for desired measuring steps	0
		1
	Activate commissioning mode	2
	Reduced diagnosis	3
	Reserved	4
	Activate lower software limit switch	5
	Activate upper software limit switch	6
	Activation of the parameters from Octet 27	7
27 ... 30	Lower limit switch	
31 ... 34	Upper limit switch	
35 ... 38	Physical measuring steps	
39	Reserved	0
	Rotary encoder type (singleturn or multiturn)	1
	Reserved	2
	Reserved	3
	Selection of the unit for speed transfer	4
		5
	Reserved	6
	Reserved	7

Order code

P	V	S	5	8	X	-				A	G	R	0	B	N	-	0	0		
---	---	---	---	---	---	---	--	--	--	---	---	---	---	---	---	---	---	---	--	--

