



- Non-contact, absolute position encoder
- SSI interface
- Automatic detection of dirt accumulation

WCS2A-LS310



## Technical data

### General specifications

Passage speed	v	≤ 12.5 m/s
Measuring range		max. 327.6 m
Resolution		± 0.42 mm (1,200 positions/m)

### Electrical specifications

Operating voltage	U <sub>B</sub>	24 V DC, ± 20 %
Power consumption	P <sub>0</sub>	2 VA with Option H, heating: 9 VA

### Interface

Interface type		SSI interface
Data output code		binary code , 25 bit
Clock frequency		100 ... 500 kHz
Pause time	t <sub>p</sub>	≥ 20 μs double request possible, if t <sub>p</sub> ≤ 10 μs

### Standard conformity

Electromagnetic compatibility		emitted interference to EN 50081-2 noise immunity to EN 50082-1 increased intensity level, evaluation criterion A
-------------------------------	--	---

### Ambient conditions

Operating temperature		0 ... 60 °C (32 ... 140 °F) with Option H, heating: -40 ... 60 °C (-40 ... 140 °F)
Relative humidity		90 % , noncondensing

### Mechanical specifications

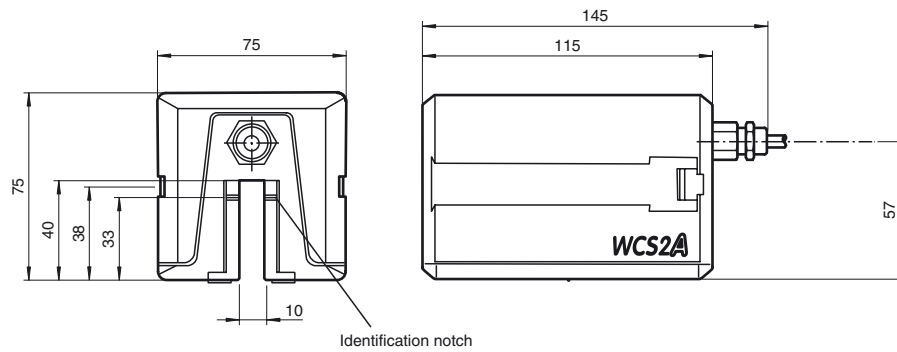
Connection type		1 m cable , 6-wire optional with connector
Cable diameter		4.5 ... 7.5 mm
Protection degree		IP54
Material		
Housing		Polyamide (PA) , Polycarbonate , ABS
Mass		500 g

### General information

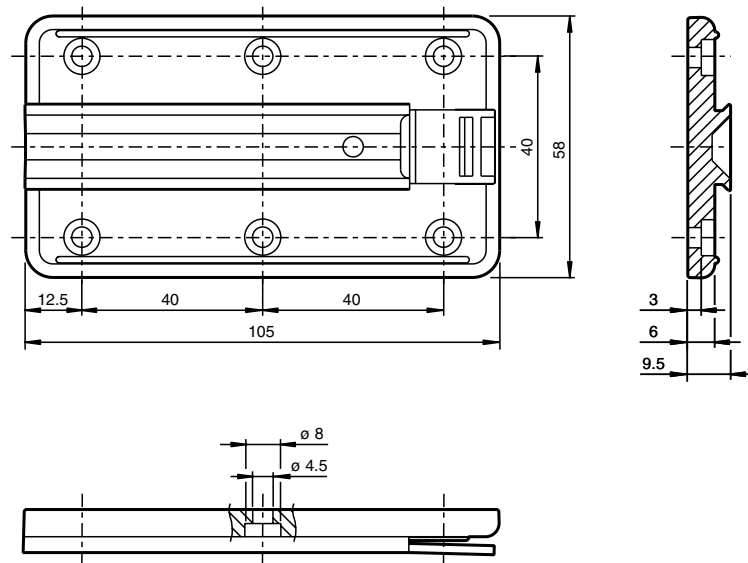
Ordering information		Mounting plate included with delivery
----------------------	--	---------------------------------------



### Dimensions



### Mounting plate



## Electrical connection

