



- Non-contact, absolute position encoder
- RS 485 interface
- Automatic detection of dirt accumulation

WCS2A-LS2**



Technical data

General specifications

Passage speed	v	≤ 12.5 m/s
Measuring range		max. 327.6 m
Resolution		± 0.42 mm (1,200 positions/m)

Electrical specifications

Operating voltage	U _B	24 V DC, ± 20 %
Power consumption	P ₀	2 VA with Option H, heating: 9 VA

Interface

Interface type		RS 485 interface
Data output code		binary code
Transfer rate		Baud rate 19.2 kBit/s ... 187.5 kBit/s (to be specified with order)
Termination		with RS 485 termination

Standard conformity

Electromagnetic compatibility		emitted interference to EN 50081-2 noise immunity to EN 50082-1 increased intensity level, evaluation criterion A
-------------------------------	--	---

Ambient conditions

Operating temperature		0 ... 60 °C (32 ... 140 °F) with Option H, heating: -40 ... 60 °C (-40 ... 140 °F)
Relative humidity		90 % , noncondensing

Mechanical specifications

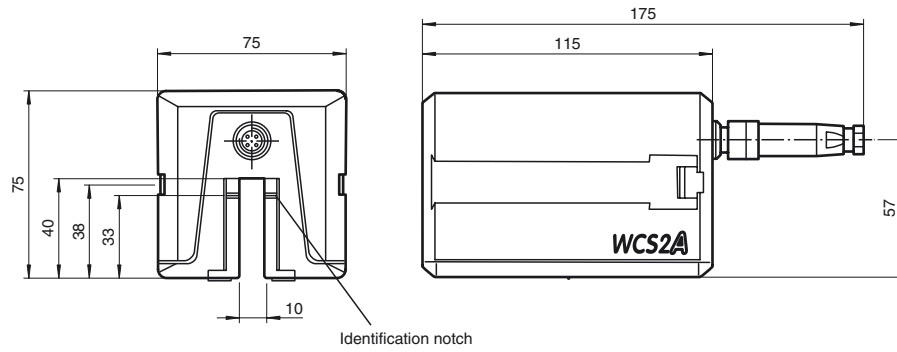
Connection type		M12 x 1 connector, 5-pin
Cable diameter		4.5 ... 7.5 mm
Protection degree		IP54
Material		
Housing		Polyamide (PA) , Polycarbonate , ABS
Mass		500 g

General information

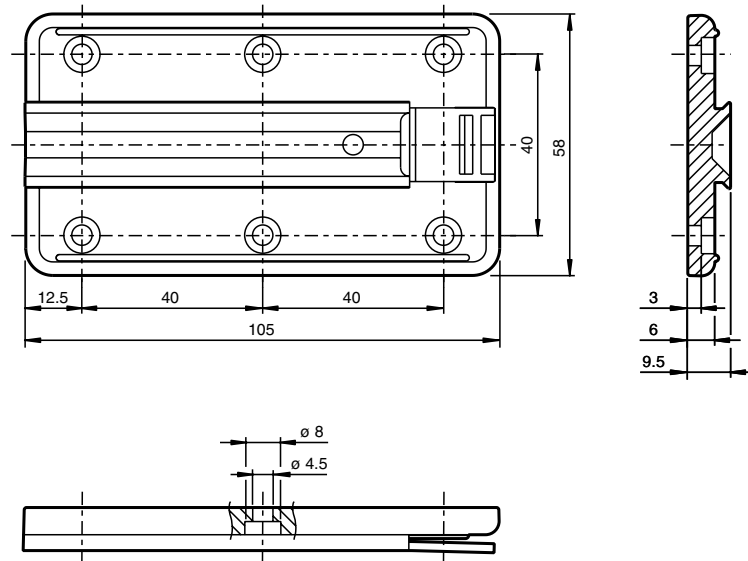
Ordering information		Mounting plate and cable connector (IP65) included with delivery
----------------------	--	--



Dimensions



Mounting plate



Electrical connection

