



## Model Number

AVS58-K\*

## Features

- Industrial standard housing Ø58 mm
- 16 Bit singleturn
- Data transfer up to 2 Mbaud
- Optically isolated RS 422 interface
- Servo or clamping flange
- Zero-set function electrically and by preset key

## Description

This singleturn absolute encoder with modern fast technology transmits a position value corresponding to the shaft setting via the SSI interface (Synchronous Serial Interface). The resolution of the AVS58-K is maximum 65536 steps per revolution. The devices of the ASM58-K series are equipped with a microcontroller.

The control module sends a clock bundle to the absolute encoder to obtain the position data. The rotary encoder then sends the position data synchronous to the cycles of the control module.

It is possible to select the following items with function inputs

- the counting direction and
- the zero-set function (preset value)

Another feature of this absolute encoder is the built in preset key at the rear housing side. By means of this, the position value can be locally set to zero.

For status and diagnosis indication furthermore it is equipped with 2 LEDs.

This singleturn absolute encoder is available either in clamp flange design with a shaft diameter of 10 mm x 20 mm or in a servo flange design with a shaft diameter of 6 mm x 10 mm. The electrical connection is made by a 12-pin round plug connector. It is also possible to obtain a version with a 1 m cable connector.

## Technical data

### Functional safety related parameters

MTTF <sub>d</sub>	170 a
Mission Time (T <sub>M</sub> )	20 a
L <sub>10h</sub>	1.9 E+11 at 6000 rpm and 20/40 N axial/radial shaft load
Diagnostic Coverage (DC)	0 %

### Indicators/operating means

LED green	supply voltage/preset key pressed
LED red	internal diagnostic test failed

### Electrical specifications

Operating voltage U <sub>B</sub>	10 ... 30 V DC
Power consumption P <sub>0</sub>	≤ 1 W
Linearity	± 2 LSB at 16 Bit, ± 1 LSB at 13 Bit, ± 0,5 LSB at 12 Bit
Output code	Gray code, binary code
Code course (counting direction)	cw descending (clockwise rotation, code course descending)

### Interface

Interface type	SSI
Monoflop time	20 ± 10 μs
Resolution	
Single turn	up to 16 Bit
Overall resolution	up to 16 Bit
Transfer rate	0.1 ... 2 MBit/s
Voltage drop	U <sub>B</sub> - 2.5 V
Standard conformity	RS 422

### Input 1

Input type	Selection of counting direction (V/R)
Signal voltage	
High	4.5 ... 30 V or open input (cw ascending)
Low	0 ... 1 V (cw descending)
Input current	< 6 mA
Signal duration	≥ 10 ms
Switch-on delay	< 0.001 ms

### Input 2

Input type	zero-set (PRESET 1)
Signal voltage	
High	4.5 ... 30 V
Low	0 ... 1 V or open input
Input current	< 6 mA
Signal duration	≥ 10 ms
Switch-on delay	< 100 ms after falling input flank

### Connection

Connector	type 9416, 12-pin, type 9416L, 12-pin
Cable	Ø7 mm, 6 x 2 x 0.14 mm <sup>2</sup> , 1 m

### Standard conformity

Protection degree	DIN EN 60529, IP65
Climatic testing	DIN EN 60068-2-3, no moisture condensation
Emitted interference	EN 61000-6-4:2007
Noise immunity	EN 61000-6-2:2005
Shock resistance	DIN EN 60068-2-27, 100 g, 3 ms
Vibration resistance	DIN EN 60068-2-6, 10 g, 10 ... 2000 Hz

### Ambient conditions

Operating temperature	-40 ... 85 °C (-40 ... 185 °F)
Storage temperature	-40 ... 85 °C (-40 ... 185 °F)

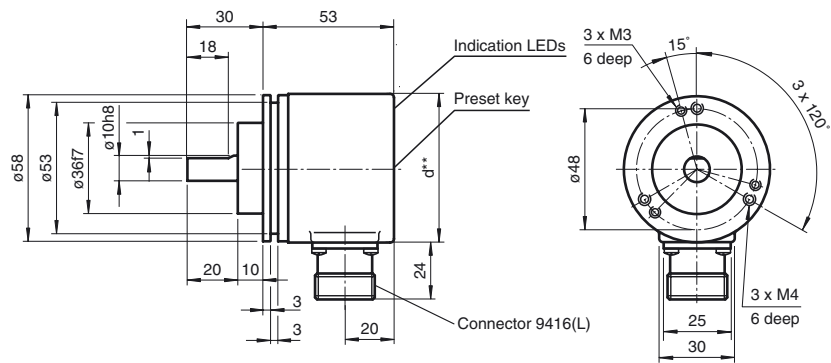
### Mechanical specifications

Material	
Combination 1	housing: powder coated aluminium flange: aluminium shaft: stainless steel
Combination 2 (Inox)	housing: stainless steel flange: stainless steel shaft: stainless steel
Mass	approx. 460 g (combination 1) approx. 800 g (combination 2)
Rotational speed	max. 12000 min <sup>-1</sup>
Moment of inertia	≤ 30 gcm <sup>2</sup>
Starting torque	< 3 Ncm (version without shaft seal)
Shaft load	
Axial	40 N
Radial	110 N

### Approvals and certificates

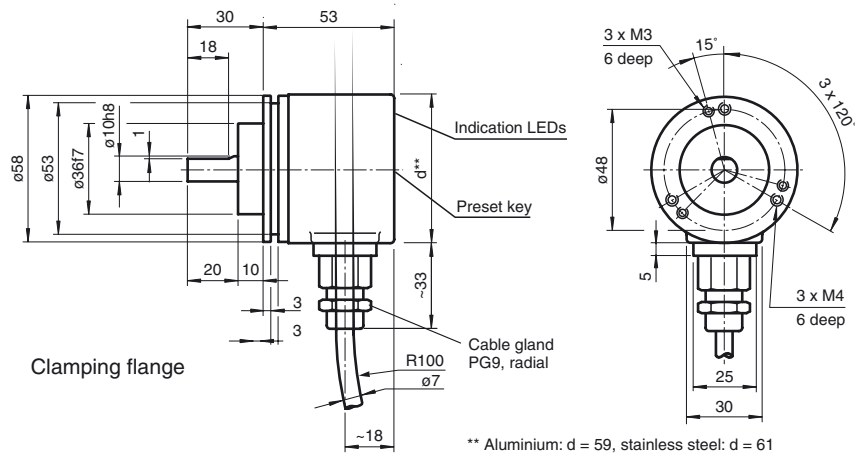
UL approval	cULus Listed, General Purpose, Class 2 Power Source
-------------	---

Dimensions



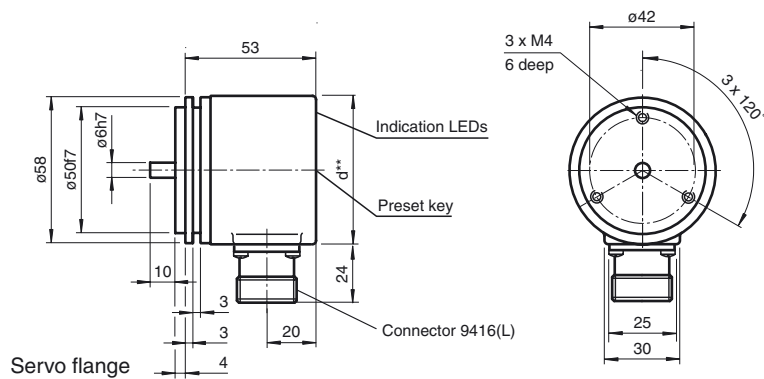
\*\* Aluminium: d = 59, stainless steel: d = 61

Clamping flange



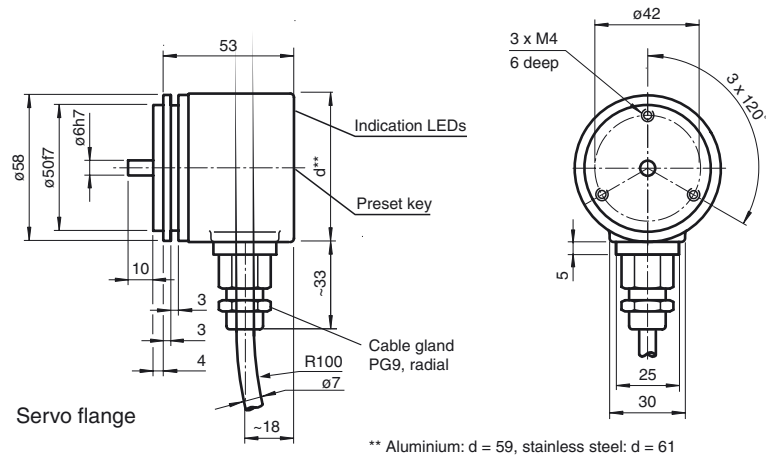
\*\* Aluminium: d = 59, stainless steel: d = 61

Clamping flange



\*\* Aluminium: d = 59, stainless steel: d = 61

Servo flange



**Accessories**

**9203**

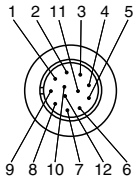
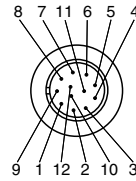
**9213**  
Mounting bracket, spring-loaded for clamping flange

**9416**

**9310-3**  
Synchro clamping element

**9300**  
Mounting bracket for servo flange

**Electrical connection**

Signal	Cable Ø7 mm, 12-core	Connector 9416, 12-pin	Connector 9416L, 12-pin	Explanation
GND (encoder)	White	1	1	Power supply
U <sub>b</sub> (encoder)	Brown	2	8	Power supply
Clock (+)	Green	3	3	Positive cycle line
Clock (-)	Yellow	4	11	Negative cycle line
Data (+)	Grey	5	2	Positive transmission data
Data (-)	Pink	6	10	Negative transmission data
Reserved	Blue	7	12	Not wired, reserved
V/R	Red	8	5	Input for selection of counting direction
PRESET 1	Black	9	9	zero-setting input
Reserved	Violet	10	4	Not wired, reserved
Reserved	Grey/Pink	11	6	Not wired, reserved
Reserved	Red/Blue	12	7	Not wired, reserved
				

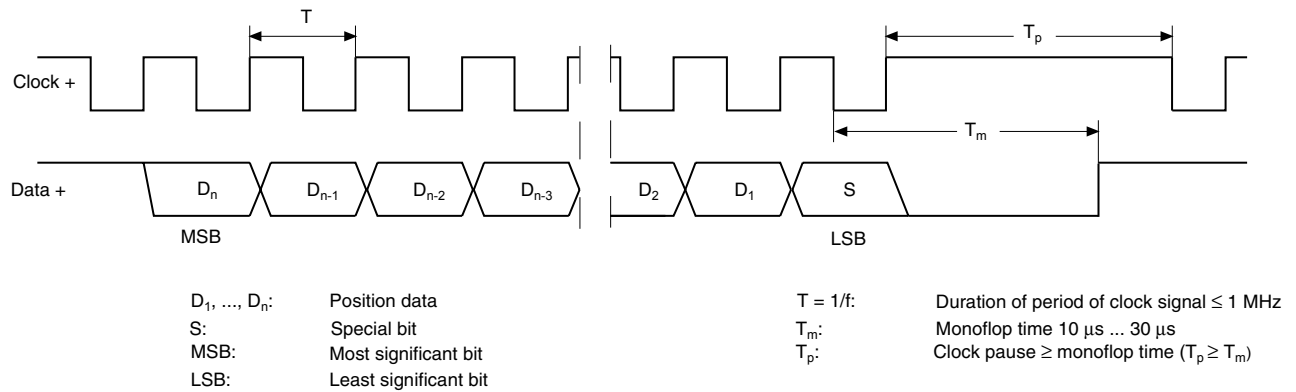
Release date: 2011-11-03 13:56 Date of issue: 2011-11-03 t23720\_eng.xml

## Description

The Synchronous Serial Interface was specially developed for transferring the output data of an absolute encoder to a control device. The control module sends a clock bundle and the absolute encoder responds with the position value.

Thus only 4 lines are required for the clock and data, no matter what the resolution of the rotary encoder is. The RS 422 interface is optically isolated from the power supply.

### SSI signal course Standard



### SSI output format Standard

- At idle status signal lines "Data +" and "Clock +" are at high level (5 V).
- The first time the clock signal switches from high to low, the data transfer in which the current information (position data ( $D_n$ ) and special bit (S)) is stored in the encoder is introduced.
- The highest order bit (MSB) is applied to the serial data output of the encoder with the first rising pulse edge.
- The next successive lower order bit is transferred with each following rising pulse edge.
- After the lowest order bit (LSB) has been transferred the data line switches to low until the monoflop time  $T_m$  has expired.
- No subsequent data transfer can be started until the data line switches to high again or the time for the clock pause  $T_p$  has expired.
- After the clock sequence is complete, the monoflop time  $T_m$  is triggered with the last falling pulse edge.
- The monoflop time  $T_m$  determines the lowest transmission frequency.

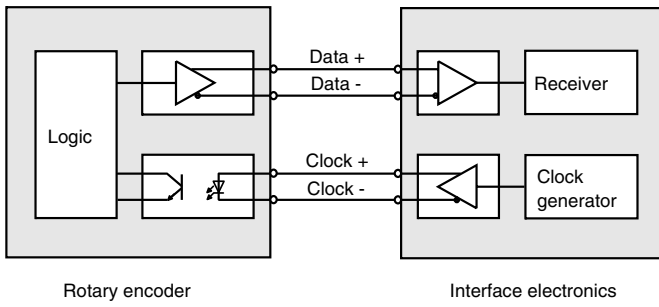
### SSI output format ring slide operation (multiple transmission)

- In ring slide operation, multiple transmission of the same data word over the SSI interface makes it possible to offer the possibility of detecting transmission errors.
- In multiple transmission, 25 bits are transferred per data word in standard format.
- If the clock change is not interrupted after the last falling pulse edge, ring slide operation automatically becomes active. This means that the information that was stored at the time of the first clock change is generated again.
- After the first transmission, the 26<sup>th</sup> pulse controls data repetition. If the 26<sup>th</sup> pulse follows after an amount of time greater than the monoflop time  $T_m$ , a new current data word will be transmitted with the following pulses.



If the pulse line is exchanged, the data word is generated offset.  
Ring slide operation is possible up to max. 13 bits.

**Block diagram**



**Line length**

Line length in m	Baudrate in kHz
< 50	< 400
< 100	< 300
< 200	< 200
< 400	< 100

**Inputs**

Input for selection of counting direction (V/R)

Level	counting direction by cw revolution (with view onto the shaft)	Input counting direction (V/R) 
High (input open or connected to +UB)	ascending	
Low (Input connected to GND)	descending	

Zero-set input (Preset)

Level	Funktion	Zero-set input (Preset) 
Low (input open or connected to GND)	Output position value	
High (Input connected to +UB or $U_e > 4,5\text{ V}$ )	Activation with falling edge (min. 100 ms)	

**Indicators/operation means**

Preset key	Manually zero setting of the position value.	
LED green	<ul style="list-style-type: none"> <li>Lights up with supplied encoder</li> <li>Goes off while preset key is pressed</li> </ul>	
LED red	Alarm/error indication <ul style="list-style-type: none"> <li>pre-fault indication (data output ist continued)</li> <li>internal memory error (all data bits are set to high level permanently)</li> </ul>	

Release date: 2011-11-03 13:56 Date of issue: 2011-11-03 t23720\_eng.xml

## Accessories

For type	Accessories	Name/defining feature	Order code
AVS58*-011	Couplings	D1: Ø10 mm, D2: Ø10 mm	9401
		D1: Ø10 mm, D2: Ø10 mm	9404
		D1: Ø10 mm, D2: Ø10 mm	9409
		D1: Ø10 mm, D2: Ø10 mm	KW
	Measurement wheels with circumference of 500 mm	Plastic	9101, 10
		Pimpled rubber	9102, 10
		Knurled aluminium	9103, 10
		Knurled plastic	9112, 10
	Measurement wheels with circumference of 200 mm	Plastic	9108, 10
		Pimpled rubber	9109, 10
		Knurled aluminium	9110, 10
	Mounting aids	Knurled plastic	9113, 10
		Mounting bracket	9203
	AVS58*-032	Couplings	Mounting bracket
D1: Ø6 mm, D2: Ø6 mm			9401
D1: Ø6 mm, D2: Ø6 mm			9402
D1: Ø6 mm, D2: Ø6 mm			9404
D1: Ø6 mm, D2: Ø6 mm			9409
Mounting aids		D1: Ø6 mm, D2: Ø6 mm	KW
		Mounting bracket and set	9300 and 9311-3
		Eccentric clamping elements	9310-3
All	Connectors	Cable socket	9416
		Cable socket	9416L

For additional information on the accessories, please see the "Accessories" section.

Order code



Number of bits singleturn

- 12 4096 (standard)
- 16 65536

Output code

- B Binary
- G Gray

Option 1

- K with preset key

Exit position

- R Radial

Connection type

- K1 Cable Ø7 mm, 6 x 2 x 0.14 mm<sup>2</sup>, 1 m
- AA Plug connector type 9416, 12-pin
- AB Plug connector type 9416L, 12-pin

Shaft dimension/flange version

- 011 Shaft Ø10 mm x 20 mm with clamping flange
- 032 Shaft Ø6 mm x 10 mm with servo flange

Housing material

- N Aluminium, powder coated
- I Inox\*

Principle of operation

- S Singleturn

Shaft version

- V Solid shaft

Data format

- A SSI (Synchronous Serial Interface)

\*Housing material I only available with plug connector types.