



**Model Number**

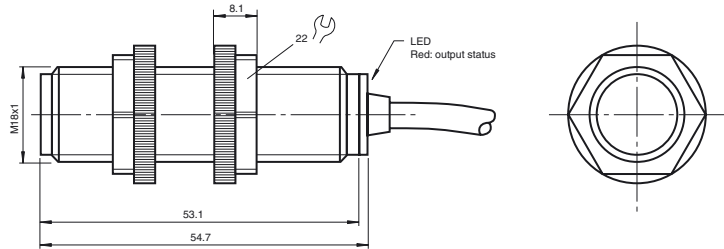
**CP18EDX2/CP18RDPD2**

Thru-beam sensor  
with fixed cable

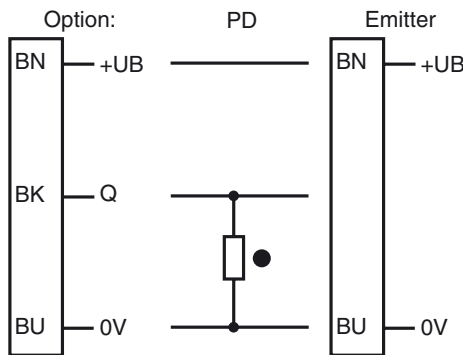
**Features**

- Patented M18 plastic housing
- Short version: 55 mm
- Red LED for switching status
- Protection degree IP67

**Dimensions**



**Electrical connection**



- = Light on
- = Dark on

Release date: 2011-01-27 10:06 Date of issue: 2011-01-27 T22647\_ENG.xml

**Technical data****System components**

Emitter	CP18EDX2
Receiver	CP18RDPD2

**General specifications**

Effective detection range	30 m
Light source	IRED
Light type	modulated infrared light , 880 nm
Diameter of the light spot	approx. 500 mm at a distance of 10 m
Angle of divergence	3 °
Optical face	frontal
Ambient light limit	30000 Lux
Hysteresis	H < 15 %

**Indicators/operating means**

Function display	LED red
------------------	---------

**Electrical specifications**

Operating voltage	$U_B$	10 ... 30 V DC
Ripple		10 %
No-load supply current	$I_0$	< 35 mA

**Output**

Switching type	dark on	
Signal output	1 PNP output, short-circuit protected, protected from reverse polarity, open collector	
Switching voltage	30 V DC	
Switching current	max. 150 mA	
Switching frequency	f	500 Hz
Response time		1 ms

**Ambient conditions**

Ambient temperature	-30 ... 70 °C (-22 ... 158 °F)
Storage temperature	-30 ... 70 °C (-22 ... 158 °F)

**Mechanical specifications**

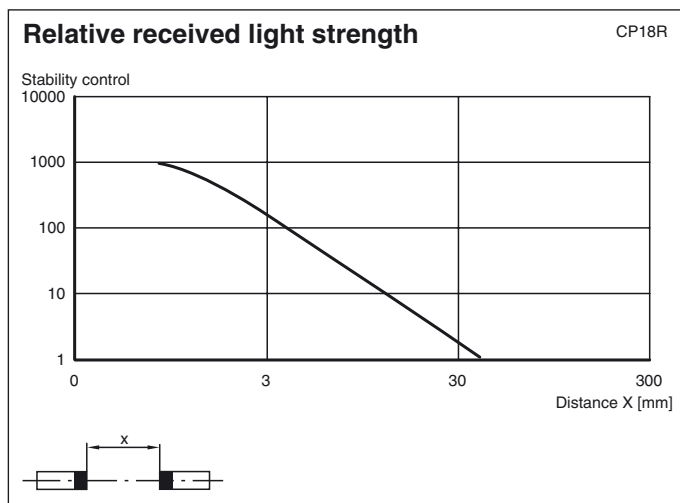
Protection degree	IP67
Connection	2 m fixed cable
Material	
Housing	plastic
Optical face	plastic
Mass	60 g

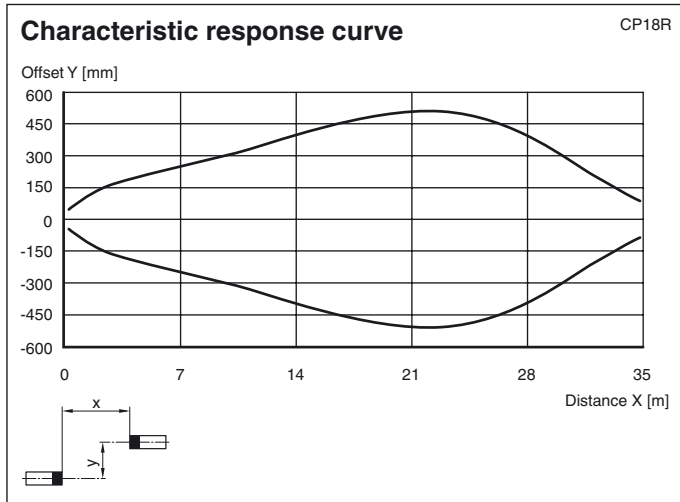
**Compliance with standards and directives**

Standard conformity	
Product standard	EN 60947-5-2:2007

**Approvals and certificates**

UL approval	UL
-------------	----

**Curves/Diagrams**



Release date: 2011-01-27 10:06 Date of issue: 2011-01-27 T22647\_ENG.xml