



Model Number

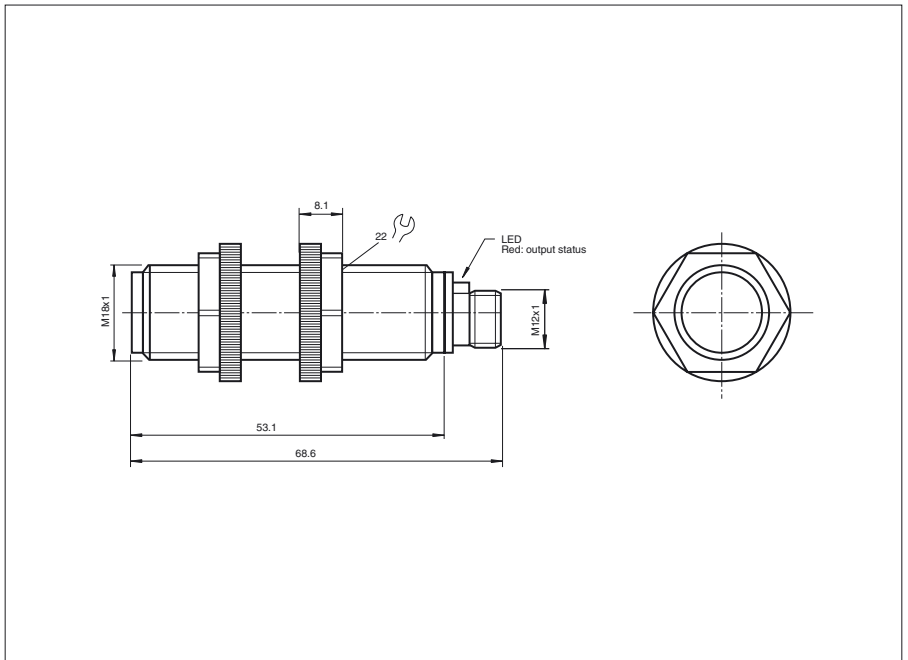
CP18EDXC/CP18RDNDC

Thru-beam sensor
with 4-pin, M12 x 1 plastic connector

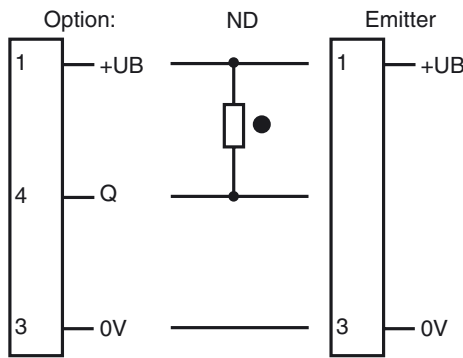
Features

- Patented M18 plastic housing
- Short version: 55 mm
- Red LED for switching status
- Protection degree IP67

Dimensions



Electrical connection



- = Light on
- = Dark on

Release date: 2011-01-27 10:06 Date of issue: 2011-01-27 T22644_ENG.xml

Technical data**System components**

Emitter	CP18EDXC
Receiver	CP18RDNDC

General specifications

Effective detection range	30 m
Light source	IRED
Light type	modulated infrared light , 880 nm
Diameter of the light spot	approx. 500 mm at a distance of 10 m
Angle of divergence	3 °
Optical face	frontal
Ambient light limit	30000 Lux
Hysteresis	H < 15 %

Indicators/operating means

Function display	LED red
------------------	---------

Electrical specifications

Operating voltage	U_B	10 ... 30 V DC
Ripple		10 %
No-load supply current	I_0	< 35 mA

Output

Switching type	dark on	
Signal output	1 NPN output, short-circuit protected, reverse polarity protected, open collector	
Switching voltage	30 V DC	
Switching current	max. 150 mA	
Switching frequency	f	500 Hz
Response time		1 ms

Ambient conditions

Ambient temperature	-30 ... 70 °C (-22 ... 158 °F)
Storage temperature	-30 ... 70 °C (-22 ... 158 °F)

Mechanical specifications

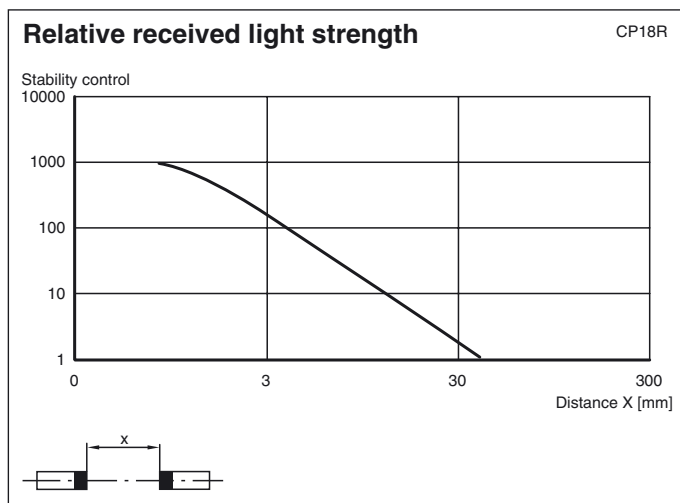
Protection degree	IP67
Connection	Plastic connector M12 x 1, 4-pin
Material	
Housing	plastic
Optical face	plastic
Mass	60 g

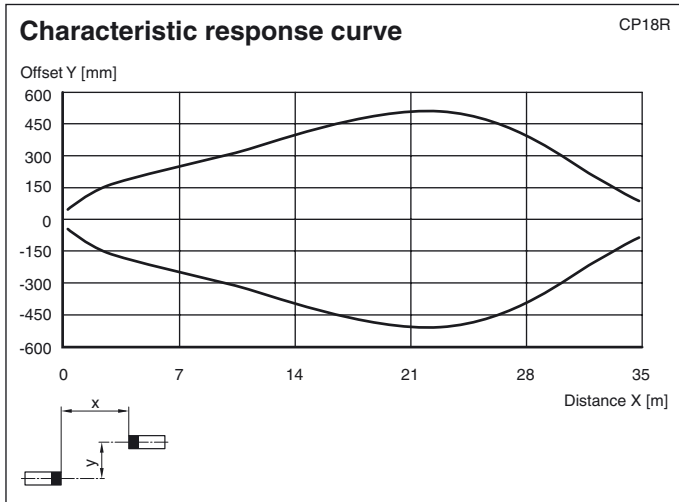
Compliance with standards and directives

Standard conformity	
Product standard	EN 60947-5-2:2007

Approvals and certificates

UL approval	UL
-------------	----

Curves/Diagrams



Release date: 2011-01-27 10:06 Date of issue: 2011-01-27 T22644_ENG.xml

Subject to modifications without notice

Pepperl+Fuchs Group
www.pepperl-fuchs.com

USA: +1 330 486 0001
fa-info@us.pepperl-fuchs.com

Germany: +49 621 776-4411
fa-info@pepperl-fuchs.com

Copyright Pepperl+Fuchs

Singapore: +65 6779 9091
fa-info@sg.pepperl-fuchs.com