



Model Number

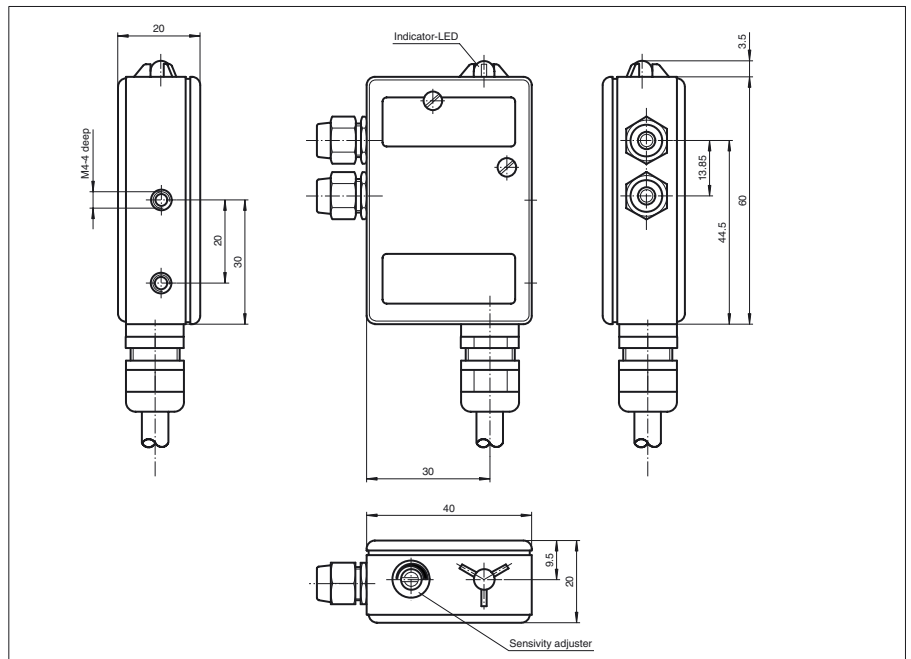
SU11/32/40a/82b/115

external amplifier

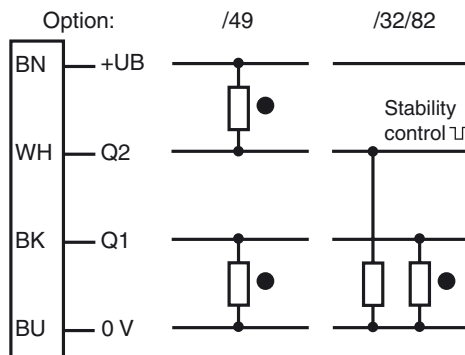
Features

- Signal converter for M4 cylindrical housing of the KT10 series
- Sensitivity adjuster
- Pre-fault indication
- Alignable housing
- Cable connection

Dimensions



Electrical connection



- = Light on
● = Dark on

Technical data**General specifications**

Approvals	CE
-----------	----

Indicators/operating means

Function display	LED red: 1-fold stability control LED green triple stability control
Controls	sensitivity adjustment
Controls	Light/Dark switch

Electrical specifications

Operating voltage	U_B	10 ... 30 V DC
Ripple		10 %
No-load supply current	I_0	40 mA

Output

Pre-fault indication output	1 PNP, inactive when falling short of the stability control
Switching type	light/dark on
Signal output	1 PNP, short-circuit protected, open collector
Switching voltage	30 V DC
Switching current	200 mA
Switching frequency	f 70 Hz
Response time	5 ms

Standard conformity

Standards	EN 60947-5-2
-----------	--------------

Ambient conditions

Ambient temperature	-20 ... 60 °C (-4 ... 140 °F)
Storage temperature	-20 ... 75 °C (-4 ... 167 °F)

Mechanical specifications

Protection degree	IP65
Connection	2500 mm fixed cable
Material	
Housing	aluminum
Installation	2 Threading M4
Mass	60 g