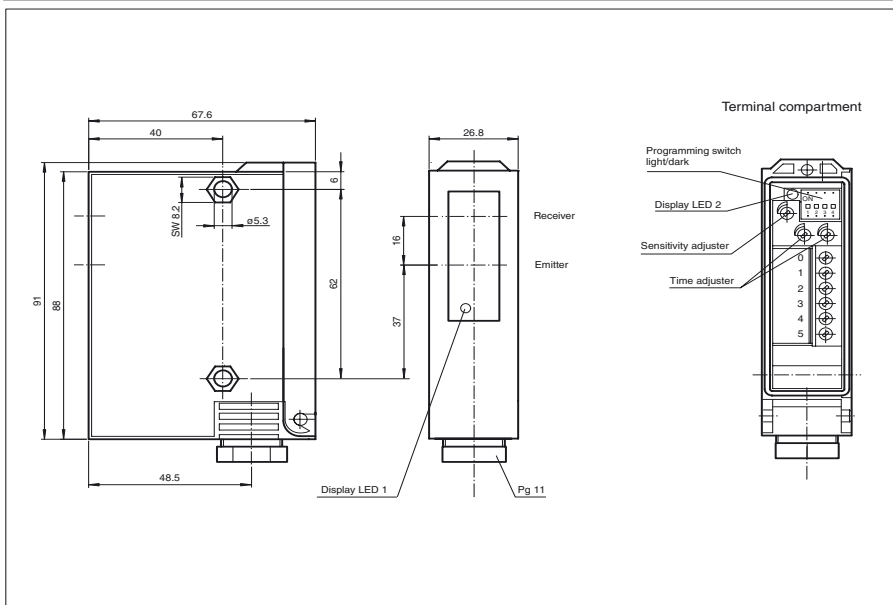




Dimensions



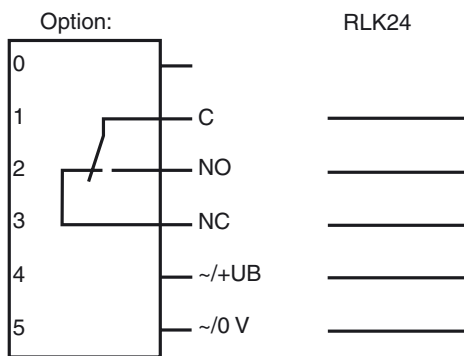
Model Number

RLK24-8-H-150/116
Background suppression sensor with terminal compartment

Features

- Sensing ranges 80 mm or 150 mm
- Sturdy plastic housing
- Sensitivity adjuster and light-/dark switch
- Pre-fault indication and output
- 4 programmable time functions
- Operating voltage 10;V ...;30;V;DC or 12;V ...;240;V;AC/DC

Electrical connection



○ = Light on
● = Dark on

Release date: 2009-08-18 16:38 Date of issue: 2009-08-18 T1903_ENG.xml

Technical data

General specifications

Detection range	30 ... 150 mm
Detection range min.	30 ... 150 mm
Detection range max.	30 ... 160 mm
Light source	LED
Black/White difference (6 %/90 %)	< 10 %
Approvals	CE
USA	UL
Kanada	CSA
Background suppression	starts from 160 mm
Light type	red, modulated light
Diameter of the light spot	approx. 5 mm at 300 m detection range
Angle of divergence	approx. 1.4 °
Ambient light limit	100000 Lux

Indicators/operating means

Function display	LED yellow, frontal and in the terminal compartment, lit up when light beam is free, flashing when falling short of the stability control
Operating elements	Programming switch for light/dark ON, timer functions
Operating elements	2 potentiometers for timer functions
Operating elements	1 Potentiometer as sensitivity adjuster

Electrical specifications

Operating voltage	U_B	12 ... 240 V AC/DC
Power consumption	P_0	3 VA

Output

Switching type	Light/dark ON, switchable	
Signal output	1 relay output, 1 alternator	
Switching voltage	max. 240 V AC	
Switching current	max. 200 mA	
Switching frequency	f	20 Hz
Response time		2 ms
Timer function		GAN, GAB, IAB, GAN-GAB, programmable adjustment range 0.1 ...10 s

Standard conformity

Standards	EN 60947-5-2
-----------	--------------

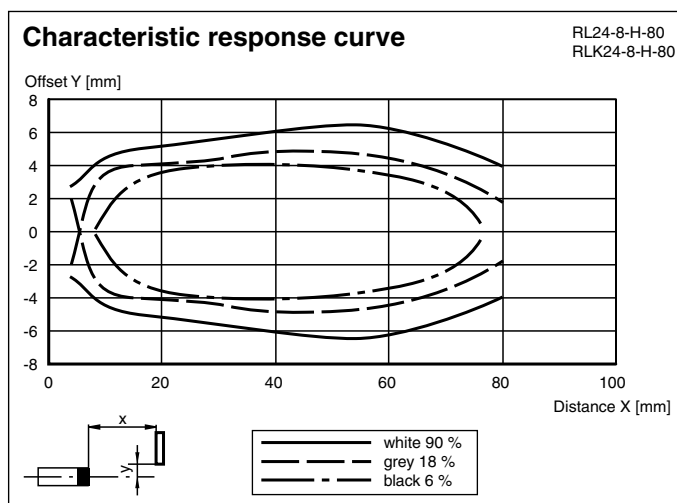
Ambient conditions

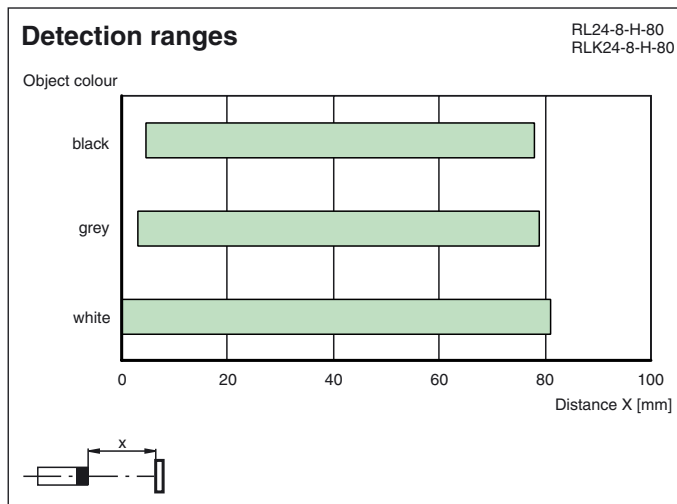
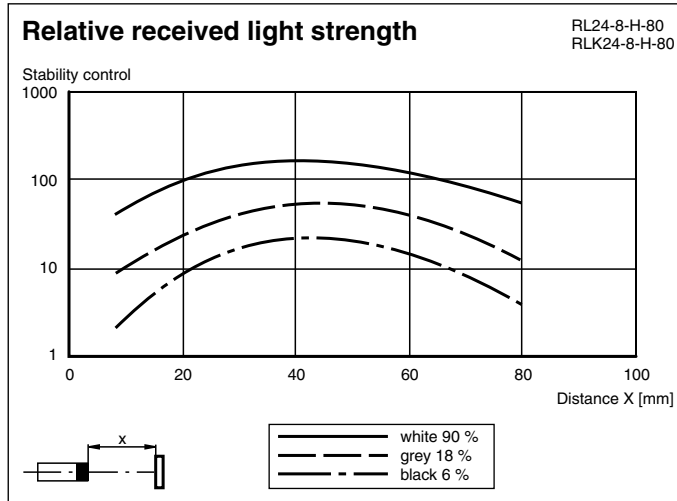
Ambient temperature	-20 ... 60 °C (253 ... 333 K)
Storage temperature	-20 ... 75 °C (253 ... 348 K)

Mechanical specifications

Protection degree	IP65
Connection	terminal compartment
Material	
Housing	GF17
Optical face	glass
Mass	115 g

Curves/Diagrams





Release date: 2009-08-18 16:38 Date of issue: 2009-08-18 T1903_ENG.xml