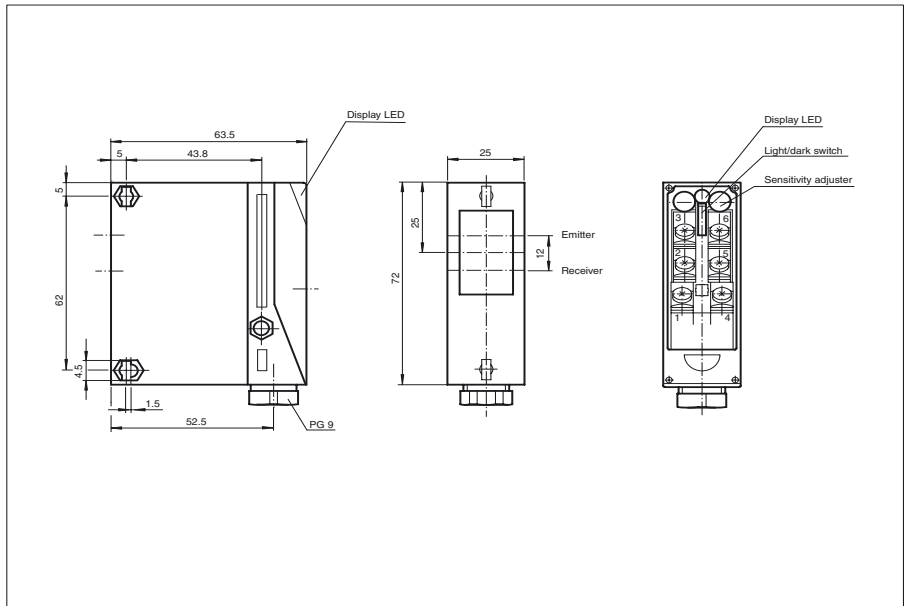




Dimensions



Model Number

RL25-8-2000-AS-I

Diffuse mode sensor
with terminal compartment

Features

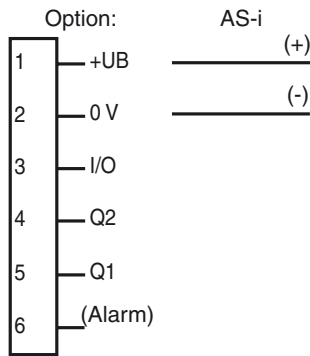
- Compact design
- Light/dark switch
- AS-Interface

Accessories

VBP-HH1

AS-Interface handheld

Electrical connection



- = Light on
- = Dark on

Technical data

General specifications

Detection range	10 ... 2000 mm
Light source	IREL
Approvals	CE, cULus
Adjustment range	600 ... 2000 mm
Reference target	standard white 100 mm X 100 mm
Light type	infrared, modulated light
Diameter of the light spot	approx. 70 mm at a distance of 2000 mm
Angle of divergence	approx. 2 °
Ambient light limit	30000 Lux

Indicators/operating means

Function display	LED green, lights up with receiver lit , flashes when falling short of the stability control
------------------	--

Electrical specifications

Operating voltage	via AS-Interface network
No-load supply current	I_0 40 mA

Input

Test input	data bit D3
------------	-------------

Output

Output of the pre-fault indication	data bit D1
Switching type	Light/dark ON, switchable
Signal output	AS-Interface
Switching frequency	f 250 Hz (max. 100 Hz with 31 slaves)
Response time	10 ms

Standard conformity

Standards	EN 60947-5-2
-----------	--------------

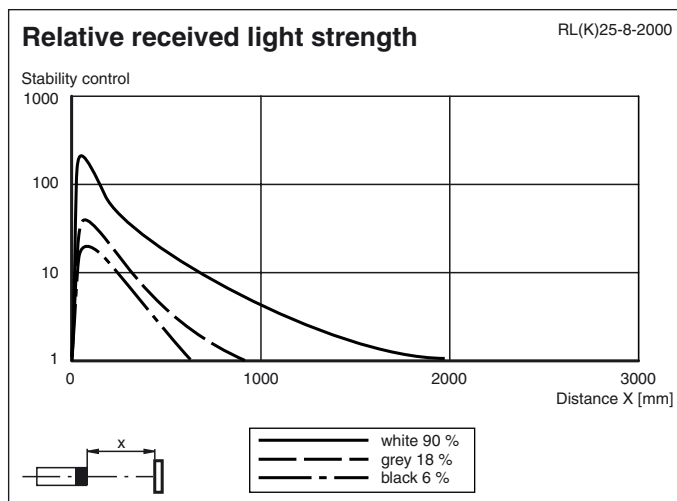
Ambient conditions

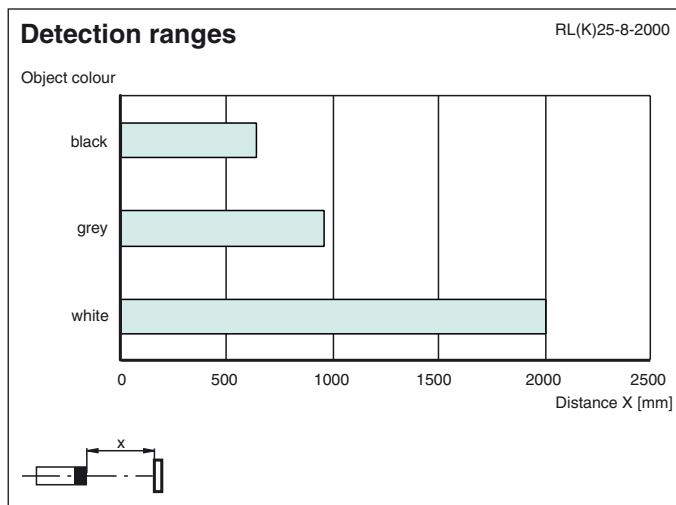
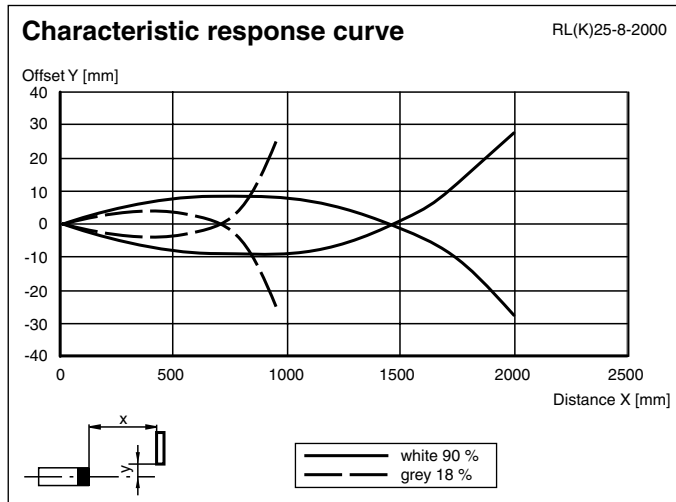
Ambient temperature	-20 ... 60 °C (253 ... 333 K)
Storage temperature	-20 ... 75 °C (253 ... 348 K)

Mechanical specifications

Protection degree	IP65
Connection	terminal compartment
Material	
Housing	Terluran GV15
Optical face	glass
Mass	90 g

Curves/Diagrams





AS-Interface programming

Slave profile: IO code = 1, ID code = F

• Parameter bit

Bit	Type	Device function	Meaning at Host level
P0	parameter	none	none
P1	parameter	inversion of D0	1 = light on (D0 = 1 with receiver lit)(light-dark switching) 0 = dark on (D0 = 0 with receiver lit)
P2	parameter	none	none
P3	parameter	none	none

• Data bit

Bit	Type	Device function	Meaning at Host level
D0	input	sensor function	1 = receiver lit (at P1 = 1) 0 = receiver not lit (at P1 = 1) 0 = receiver lit (at P1 = 0) 1 = receiver not lit (at P1 = 0)
D1	input	warning	1 = sufficient stability control (> 3-fold) or receiver not lit (delay time until setting to 1: < 5 s); 0 = insufficient stability control (delay time until setting to 0: < 2 s)
D2	input	functional readiness	1 = device ready for operation 0 = device not ready for operation
D3	output	test function	none

Release date: 2008-04-16 09:25 Date of issue: 2008-04-16 T11768_ENG.xml