

## Features

- Mechanically designed to carry VisuNet Ex2 GMP units
- Ready for mounting VisuNet enclosures
- Ideally positioned cable glands for all necessary connections

## Application

Perfectly adapted to the individual product lines of the VisuNet product family, there are various mounting options available for operator workstations by Pepperl+Fuchs.

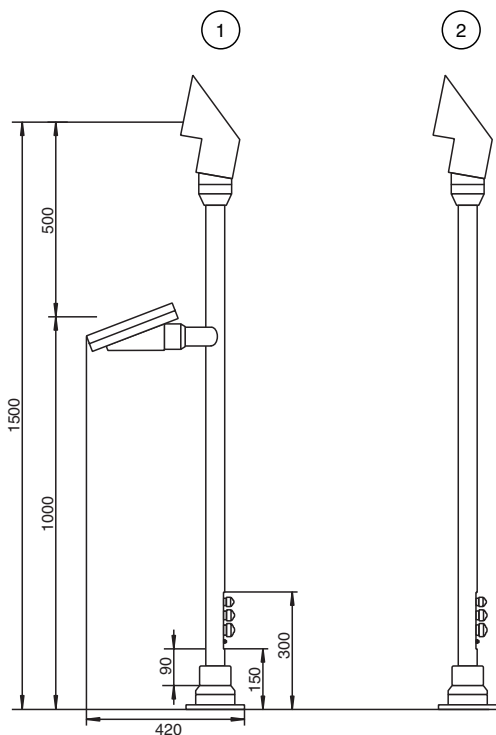
For the product line VisuNet EX2 GMP, Pepperl+Fuchs offers StandardLine mounting options.



Mechanical specifications	
Height	1500 mm
Cable entry	1 x M16, 1 x M20, 1 x M25 cable glands
Material	Stainless steel
Mass	approx. 13 kg

## Ordering Information

### Pedestals

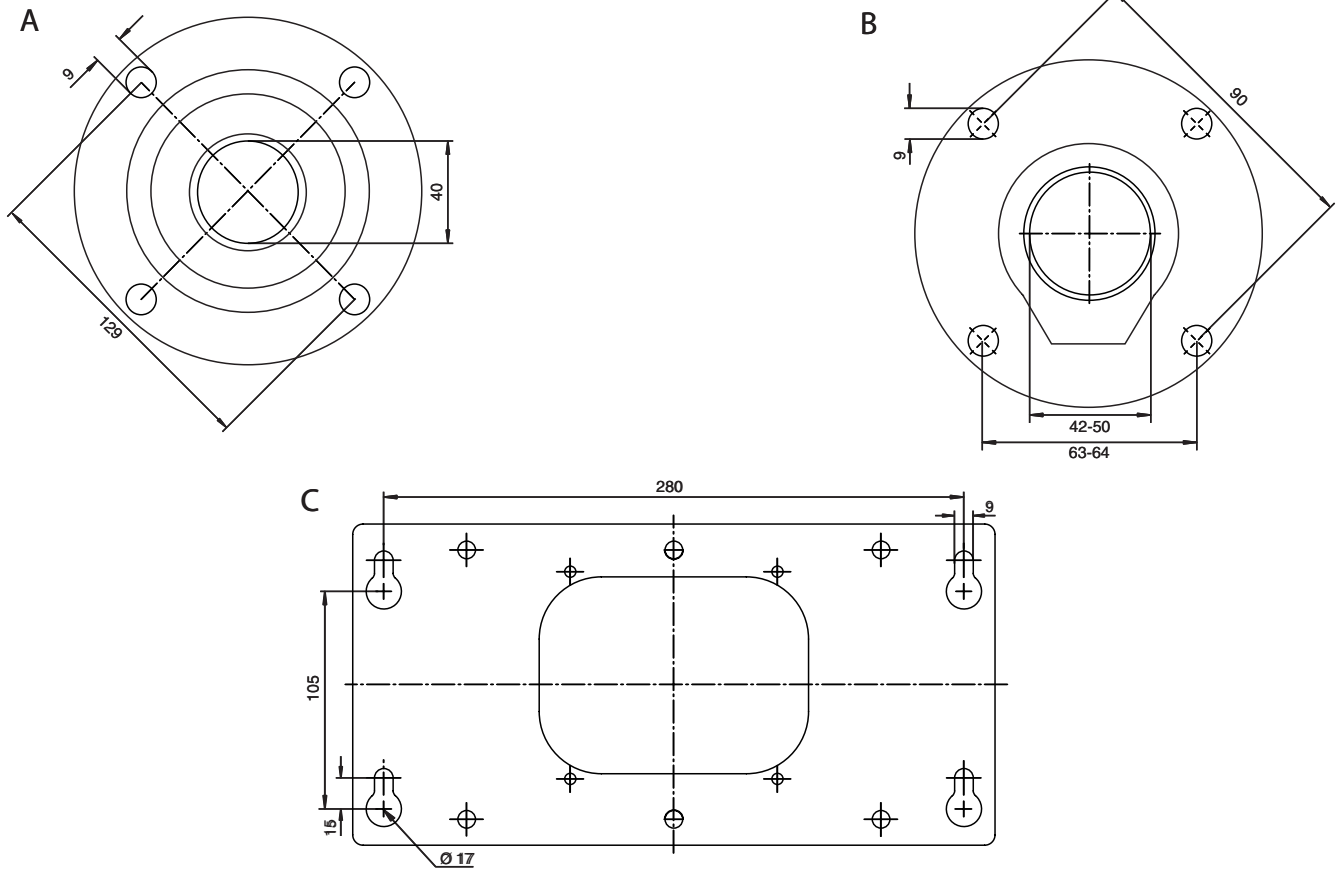


	Order Code	Specification	Part Number
1	PEDESTAL1-150-1P-KP-G-T-304	<ul style="list-style-type: none"> <li>Swivel-head pedestal (approx. 350°)</li> <li>Pipe to mount keyboard</li> <li>Monitor 10° tilted</li> <li>EX2 adapter mounted</li> <li>With M16, M20, M25 cable glands</li> <li>Stainless Steel 304/1.4301</li> </ul>	228718
	PEDESTAL-1-150-1P-KP-G-T-S3-304	<ul style="list-style-type: none"> <li>Swivel-head pedestal (approx. 350°)</li> <li>Pipe to mount keyboard</li> <li>With socket for connecting wired handheld barcode readers</li> <li>Monitor 10° tilted</li> <li>EX2 adapter mounted</li> <li>With M16, M20, M25 cable glands</li> <li>Stainless Steel 304/1.4301</li> </ul>	227000
2	PEDESTAL1-150-1P-NP-G-T-304	<ul style="list-style-type: none"> <li>Swivel-head pedestal (approx. 350°)</li> <li>Monitor 10° tilted</li> <li>EX2 adapter mounted</li> <li>With M16, M20, M25 cable glands</li> <li>Stainless Steel 304/1.4301</li> </ul>	228721
	PEDESTAL-1-150-1P-NP-G-T-S3-304	<ul style="list-style-type: none"> <li>Swivel-head pedestal (approx. 350°)</li> <li>With socket for connecting wired handheld barcode readers</li> <li>Monitor 10° tilted</li> <li>EX2 adapter mounted</li> <li>With M16, M20, M25 cable glands</li> <li>Stainless Steel 304/1.4301</li> </ul>	227003
	MOUNTING-BRACKET VisuNet Z2-10	<ul style="list-style-type: none"> <li>EX2 adapter for VisuNet EX2 GMP for use in zone 2/22</li> <li>Suitable for 48 mm pedestal tubes</li> <li>Stainless Steel 1.4301/304</li> <li>Screws and sealings included</li> </ul>	230675

Release date 2013-01-17 15:20 Date of issue 2013-01-17 t158199\_eng.xml

Hole Pattern

StandardLine Pedestals /Wall Mount



- A – StandardLine pedestal, turnable
- B – StandardLine pedestal, fix
- C – Wall mount