

Features

- Mechanically designed to carry VisuNet Ex1 units
- Ready for mounting VisuNet enclosures
- Ideally positioned cable glands for all necessary connections

Application

Perfectly adapted to the individual product lines of the VisuNet product family, there are various mounting options available for operator workstations by Pepperl+Fuchs.

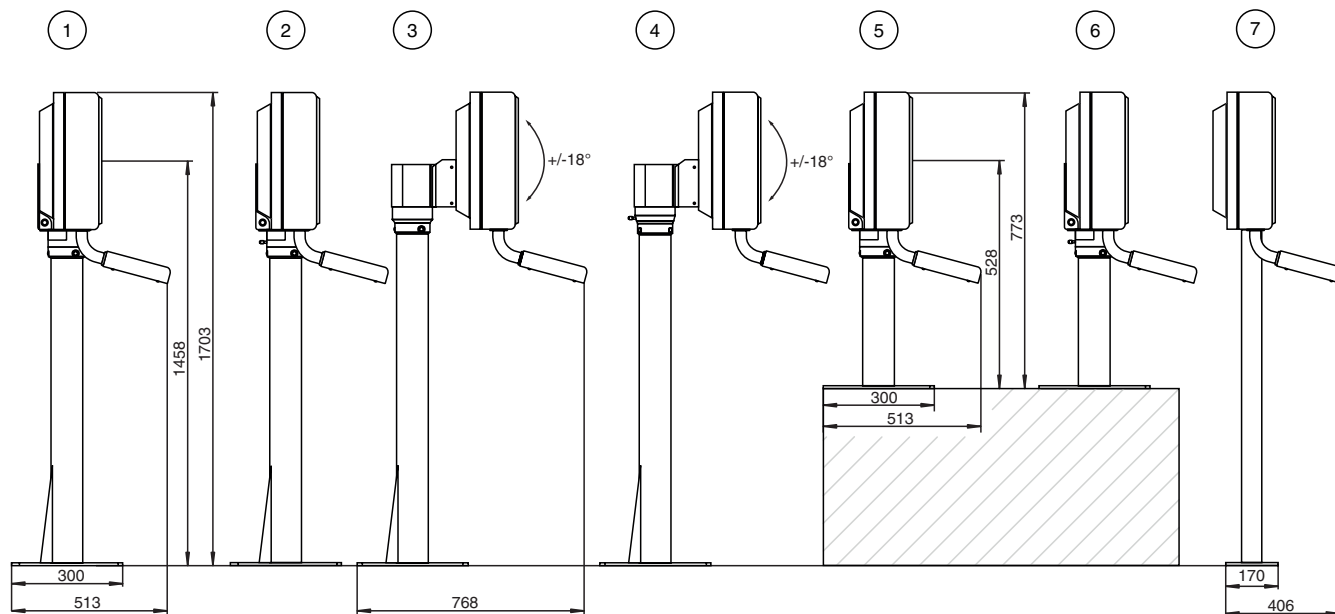
For the product line VisuNet EX1, Pepperl+Fuchs offers both StandardLine mounting options and BasicLine pedestals.



Mechanical specifications	
Height	pedestal 528 ... 1458 mm
Cable entry	pedestal : 1 x M20, 1 x M25 cable gland wall/ceiling mount : 1 x M16, 1 x M20 cable gland
Material	Stainless steel
Mass	approx. 13 kg

Ordering information

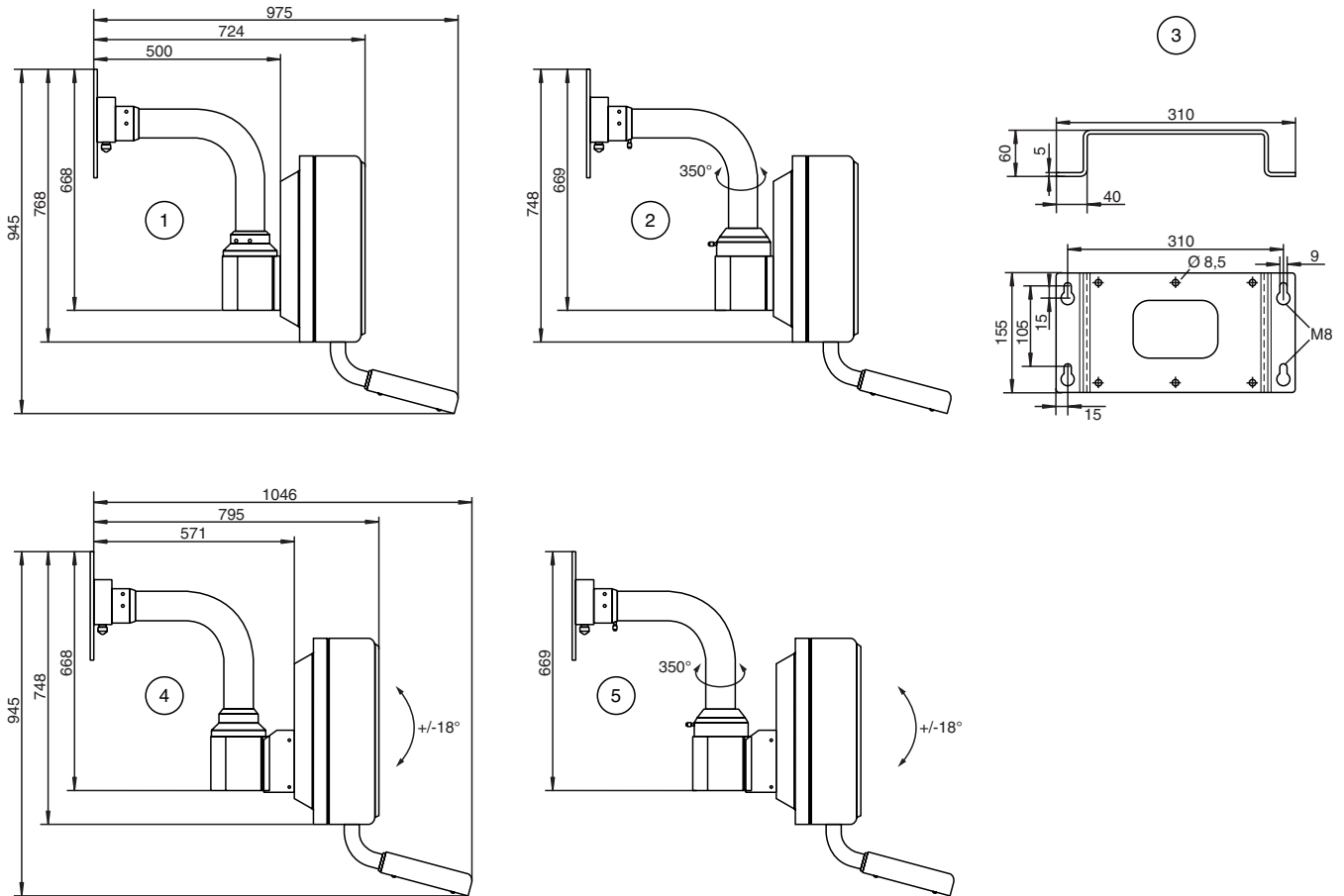
StandardLine / BasicLine Pedestals



	Order Code	Specification	Part Number
StandardLine			
1	PEDESTAL5-1458-FIX	<ul style="list-style-type: none"> Fixed pedestal "StandardLine" Height 1458 mm, Ø 115 mm With M20, M25 cable gland, M20 stopping plug Stainless Steel 304/1.4301 	198769
2	PEDESTAL5-1458-TURN	<ul style="list-style-type: none"> Swivel-head pedestal "StandardLine" (approx. 350°) Height 1458 mm, Ø 115 mm With M20, M25 cable glands, M20 stopping plug Stainless Steel 304/1.4301 	198770
3	PEDESTAL5-1458-TILT	<ul style="list-style-type: none"> Tilting-head pedestal "StandardLine" (+/- 18°) Height 1458 mm, Ø 115 mm With M20, M25 cable glands, M20 stopping plug Stainless Steel 304/1.4301 	198771
4	PEDESTAL5-1458-TURN-TILT	<ul style="list-style-type: none"> Turn-tilt pedestal "StandardLine" (ca. 350°, +/-18°) Height 1458 mm, Ø 115 mm With M20, M25 cable glands, M20 stopping plug Stainless Steel 304/1.4301 	198772
5	PEDESTAL5-0528-FIX-Y	<ul style="list-style-type: none"> Fixed pedestal "StandardLine", short version Height 528 mm, Ø 115 mm With M20, M25 cable glands, M20 stopping plug Stainless Steel 304/1.4301 	203537
6	PEDESTAL5-0528-TURN	<ul style="list-style-type: none"> Swivel-head pedestal "StandardLine" (ca. 350°), short version Height 528 mm, Ø 115 mm With M20, M25 cable glands, M20 stopping plug Stainless Steel 304/1.4301 	227265
BasicLine			
7	PEDESTAL5-1458-FIX-BL	<ul style="list-style-type: none"> Fixed pedestal "BasicLine" Height 1458 mm, Ø 100 mm With M20, M25 cable glands, M20 stopping plug Edelstahl 304/1.4301 	242087

Release date 2013-01-17 15:20 Date of issue 2013-01-17 t158196_eng.xml

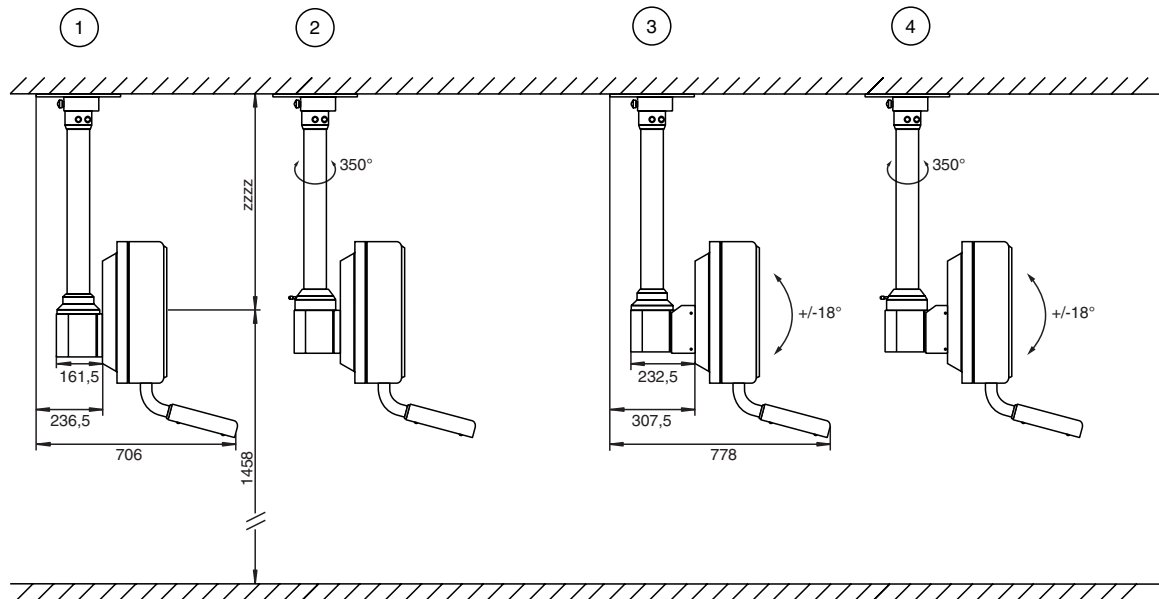
StandardLine Wall Mounting Options



Order Code	Specification	Part Number
1 SUPPORT-ARM5-350-350-FIX	<ul style="list-style-type: none"> Fixed wall mount, Ø 80 mm xxx-yyyy = horiz.-vertical [mm] xxx: Min/Max 350/650 mm yyy: Min/Max 350/1000 mm With M16, M20 cable glands Stainless Steel 304/1.4301 	198777
2 SUPPORT-ARM5-350-350-TURN	<ul style="list-style-type: none"> Swivel-head wall mount (ca. 350°), Ø 80 mm xxx-yyyy = horiz.-vertical [mm] xxx: Min/Max 350/650 mm yyy: Min/Max 350/1000 mm With M16, M20 cable glands Stainless Steel 304/1.4301 	203401
3 WALL-BRACKET5	<ul style="list-style-type: none"> Wall bracket 	198768
4 SUPPORT-ARM5-350-350-TILT	<ul style="list-style-type: none"> Tilting-head wall mount (+/-18°), Ø 80 mm xxx-yyyy = horiz.-vertical [mm] xxx: Min/Max 350/650 mm yyy: Min/Max 350/1000 mm With M16, M20 cable glands Stainless Steel 304/1.4301 	198779
5 SUPPORT-ARM5-350-350-TURN-TILT	<ul style="list-style-type: none"> Turn-tilt wall mount (ca. 350°, +/-18°), Ø 80 mm xxx-yyyy = horiz.-vertical [mm] xxx: Min/Max 350/650 mm yyy: Min/Max 350/1000 mm With M16, M20 cable glands Stainless Steel 304/1.4301 	203402

Release date 2013-01-17 15:20 Date of issue 2013-01-17 t158196_eng.xml

StandardLine Ceiling Mounting Options

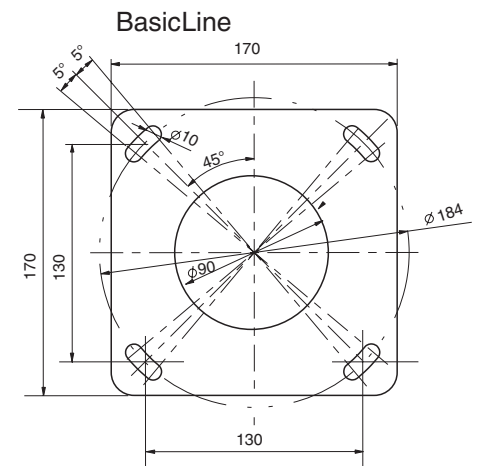
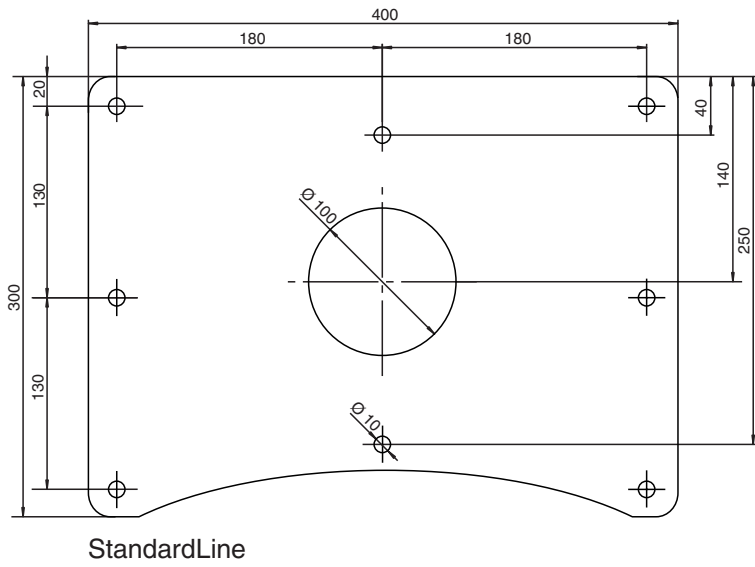


	Order Code	Specification	Part Number
1	CEILING5-ZZZZ ^a -FIX	<ul style="list-style-type: none"> Fixed ceiling mount, Ø 80 mm With M16, M20 cable glands Stainless Steel 304/1.4301 	198773
2	CEILING5-ZZZZ ^a -TURN	<ul style="list-style-type: none"> Swivel-head ceiling mount (ca. 350°), Ø 80 mm With M16, M20 cable glands Stainless Steel 304/1.4301 	198774
3	CEILING5-ZZZZ ^a -TILT	<ul style="list-style-type: none"> Tilting-head ceiling mount (+/-18°), Ø 80 mm With M16, M20 cable glands Stainless Steel 304/1.4301 	198775
4	CEILING5-ZZZZ ^a -TURN-TILT	<ul style="list-style-type: none"> Turn-tilt ceiling mount (ca. 350°, +/-18°) With M16, M20 cable glands Stainless Steel 304/1.4301 	198776

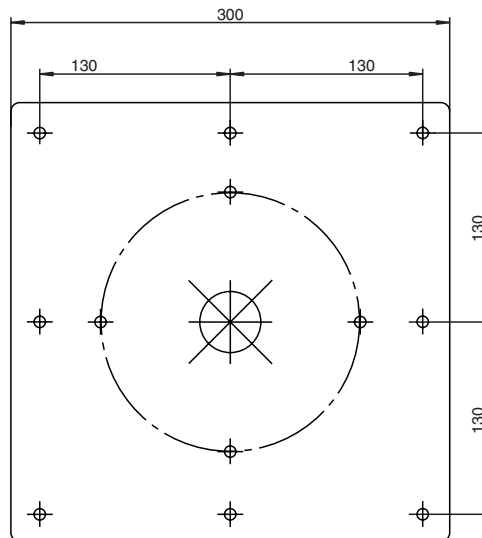
a. Determination of "zzzz": ceiling height - 1458 mm
 Example "Fixed ceiling mount with ceiling height of 3 m": 3000 mm - 1458 mm = 1542 mm, order code "Ceiling5-1542-FIX"

Hole Pattern

StandardLine / BasicLine Pedestals



StandardLineWall/Ceiling Mount



Release date 2013-01-17 15:20 Date of issue 2013-01-17 t158196_eng.xml