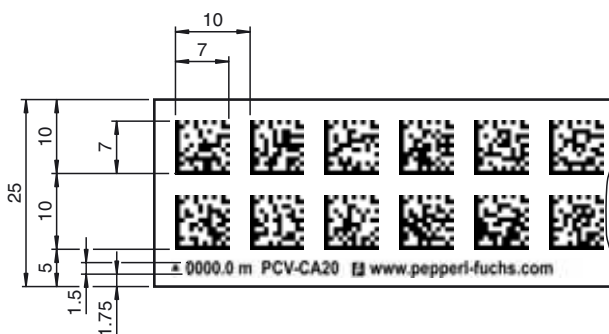


Dimensions



Model Number

PCV*-CA20-*

Data Matrix code tape

Features

- High chemical resistance
- Low weight
- Self-adhesive mounting
- High temperature resistance
- High mechanical stability

Technical data

General specifications

Start position	0 ... 9900 m (see Order Information)
Length	6 ... 100 m (see Order Information)
Inside diameter	76 mm (role core)

Ambient conditions

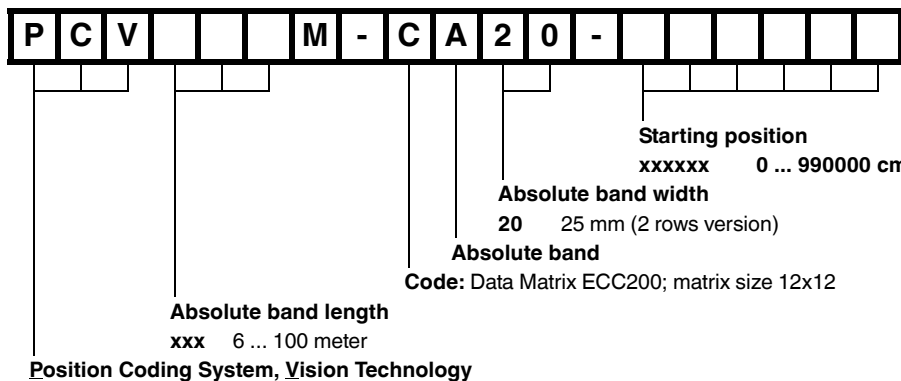
Operating temperature	-40 ... 150 °C (-40 ... 302 °F)
Installation temperature	10 ... 40 °C (50 ... 104 °F)
Environmental resistance	UV radiation Humidity Salt spray (150 h / 5%)

Chemical resistance	Oils Grease Fuels Aliphatic solvents Weak acids
---------------------	---

Mechanical specifications

Material thickness	150 µm
Material	polyester laminate
Surface	polyester , matte
Mass	6.3 g / m ²
Tensile strength	≥ 150 N
Adhesive	Acrylate-based adhesive ; curing 72 h
Adhesive strength	Average values (FTM2) aluminum : 24 N / 25 mm High grade stainless steel : 25 N / 25 mm ABS : 22 N / 25 mm PP : 18 N / 25 mm HD-PE : 12 N / 25 mm LD-PE : 12 N / 25 mm

Order Informationen



Matching system components**PCV80S-F200-SSI-V19**

Read head for incident light positioning system

PCV100I-F200-SSI-V19

Read head for incident light positioning system

PCV80I-F200-SSI-V19

Read head for incident light positioning system

PCV100-F200-B17-V1D

Read head for incident light positioning system

PCV130B-F200-B6-V15B

Read head for incident light positioning system

PCV80-F200-B6-V15B

Read head for incident light positioning system

PCV80-F200-B17-V1D

Read head for incident light positioning system

PCV80-F200-SSI-V19

Read head for incident light positioning system

PCV100-F200-SSI-V19

Read head for incident light positioning system

PCV100I-F200-R4-V19

Read head for incident light positioning system

PCV80I-F200-R4-V19

Read head for incident light positioning system

PCV100-F200-R4-V19-SEW

Read head for incident light positioning system

PCV100-F200-R4-V19

Read head for incident light positioning system

PCV80-F200-R4-V15-LS221

Read head for incident light positioning system

PCV130B-F200-R4-V19

Read head for incident light positioning system

PCV80-F200-R4-V19

Read head for incident light positioning system