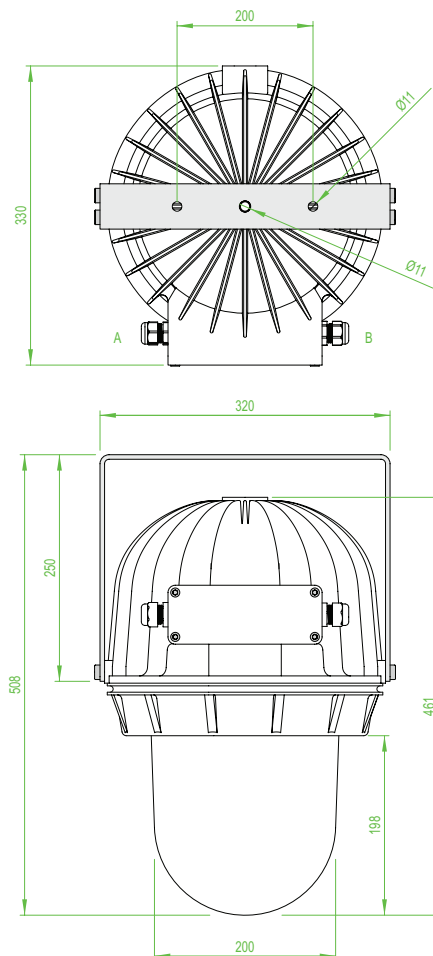




Features

- Power 250 W
- Lamp: sodium or metal halide
- Installation in Zone 1, Zone 2, Zone 21 and Zone 22
- Ex de certified
- High corrosion resistance
- Ex e chamber for cabling
- Glass dome retaining clip assists lamp change
- Lightweight copper-free aluminium housing

Dimensions (mm)



Technical data

Electrical specifications

Operating voltage	220 ... 254 V 50/60 Hz
Operating current	1.37 A
Terminal capacity	custom clamp terminals
Control gear	magnetic choke with associated electronic igniter
Power factor	0.9
Fitting type	Pendant light fitting
Lamps	elliptical high pressure sodium or metal halide , not included with delivery
Number of lamps	1
Power	250 W
Lampholder	E40

Conformity

Protection degree	IP65 according to EN 60529
-------------------	----------------------------

Ambient conditions

Ambient temperature	-20 ... 50 °C (-4 ... 122 °F)
---------------------	-------------------------------

Mechanical specifications

Protection degree	IP66
Cable entry	metric threaded
Number of cable entries	1 x M20 at position A fitted with Ex d sealing plug 1 x M20 at position B fitted with Ex d sealing plug

Material

Cast parts	aluminum
Lamp cover	toughened glass
Finish	cast parts: epoxy powder coated, RAL7032
Seal	silicone O-ring
Mass	approx. 19 kg
Mounting	5 mm stainless steel stirrup bracket

Grounding	internal and external grounds
Data for application in connection with Ex-areas	
EC-Type Examination Certificate	BASEEFA 07 ATEX 0221
Group, category, type of protection, temperature class	⊕ II 2 GD Ex de IIC T4, Ex tD A21 IP66 T135°C
International approvals	
IECEX approval	IECEX BAS 07.0061
GOST-R approval	GOST-R B01007
General information	
Supplementary information	EC-Type Examination Certificate, Statement of Conformity, Declaration of Conformity, Attestation of Conformity and instructions have to be observed where applicable. For information see www.pepperl-fuchs.com .