



Model Number

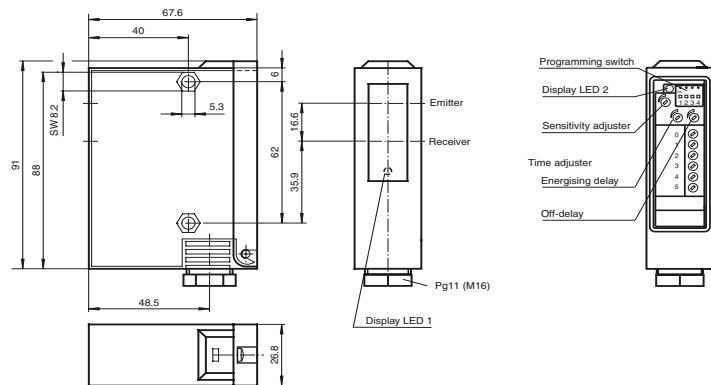
RL24-54/49/76a/106/116

Retro-reflective sensor with polarization filter
with terminal compartment

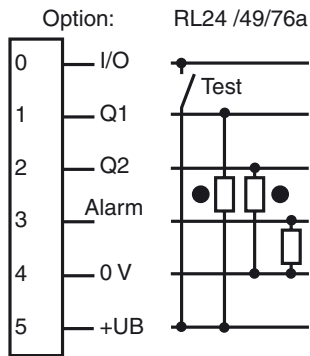
Features

- Detection range up to 10 m
- Sturdy plastic housing
- Sensitivity adjuster and light-/dark switch
- Pre-fault indication and output
- 4 programmable time functions
- Operating voltage 10;V ...;30;V;DC or 12;V ...;240;V;AC/DC

Dimensions



Electrical connection



- = Light on
- = Dark on

Release date: 2009-08-18 16:38 Date of issue: 2009-08-18 T1532_ENG.xml

Technical data

General specifications

Effective detection range	0 ... 6000 mm
Reflector distance	0 ... 6000 mm
Threshold detection range	10 m (with C110-2 reflector)
Light source	LED
Approvals	CE
USA	UL
Kanada	CSA
Light type	red, modulated light
Diameter of the light spot	approx. 150 mm at 6000 mm detection range
Angle of divergence	approx. 1.4 °
Ambient light limit	80000 Lux

Indicators/operating means

Function display	LED yellow, frontal and in the terminal compartment, lit up when light beam is free, flashing when falling short of the stability control
Operating elements	Programming switch for light/dark ON, timer functions
Operating elements	2 potentiometers for timer functions
Operating elements	1 Potentiometer as sensitivity adjuster

Electrical specifications

Operating voltage	U_B	24 V DC \pm 20 %
Ripple		10 %
No-load supply current	I_0	100 mA

Input

Test input	emitter deactivation at $+U_B$
------------	--------------------------------

Output

Output of the pre-fault indication	1 pnp	
Switching type	light/dark switching	
Signal output	1 npn, 1 pnp synchronised-switching, short-circuit proof, protected against reverse polarity	
Switching voltage	30 V DC	
Switching current	max. 200 mA	
Switching frequency	f	1000 Hz
Response time	0.5 ms	
Timer function	GAN, GAB, IAB, GAN-GAB, programmable adjustment range 0.1 ... 10 s	

Standard conformity

Standards	EN 60947-5-2
-----------	--------------

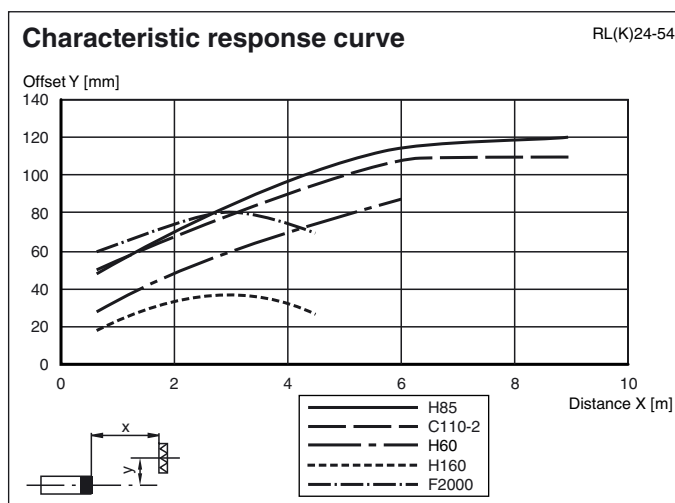
Ambient conditions

Ambient temperature	-35 ... 55 °C (238 ... 328 K) , with heated optical face
Storage temperature	-20 ... 75 °C (253 ... 348 K)

Mechanical specifications

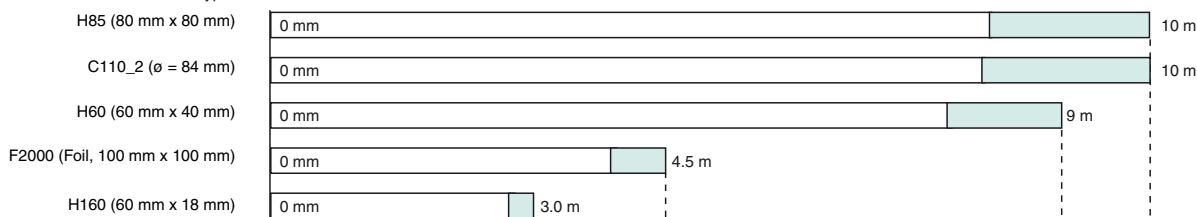
Protection degree	IP65
Connection	terminal compartment
Material	
Housing	GF17
Optical face	glass
Mass	100 g

Curves / Diagrams

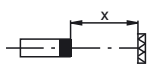
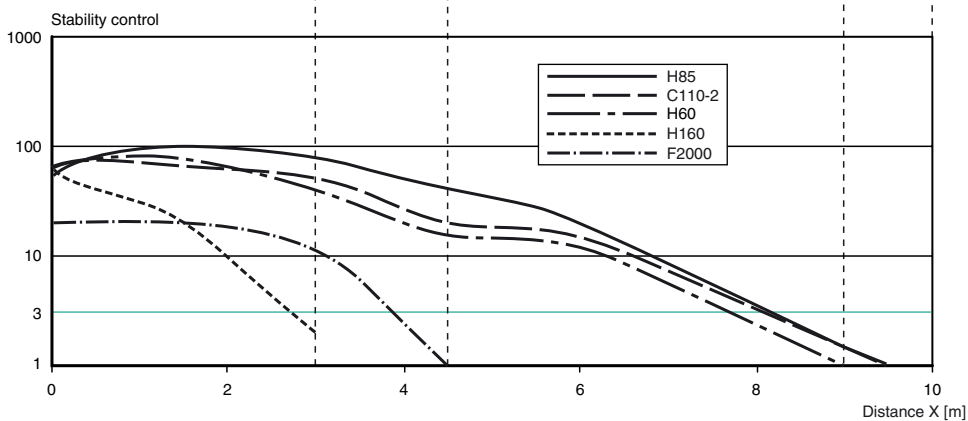


Relative received light strength

Reflector type:



Stability control > 3
 Stability control < 3



Release date: 2009-08-18 16:38 Date of issue: 2009-08-18 T1532_ENG.xml