

## Features

- Panel PC
- 22" Monitor (55,9 cm)
- Network based data transfer via Ethernet
- Adapted for distances up to 100 m

## Application

VisuNet GMP devices are operator workstations for use in GMP conditions and come with a manufacturer's declaration of conformity to this effect. Typical application locations are the pharmaceutical and food industries as well as the production of cosmetics, flavour and nutrition.

The operator workstations are available as Direct Monitors, KVM Monitors, Remote Monitors and as Panel PCs.

The Panel PCs are especially suitable as standalone solutions or in conjunction with a PLC.

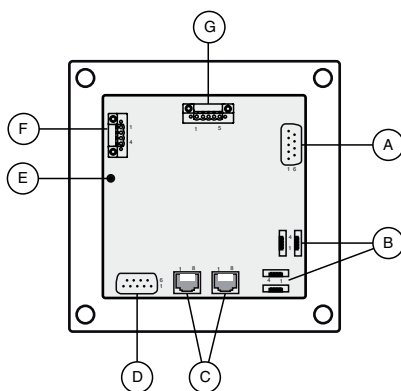
Panel PCs come with all the functionality of PCs.

The Panel PCs run under Windows XP Professional or Windows 7 Ultimate FES. Software packages for control, visualisation and production can thus be easily installed.



CE

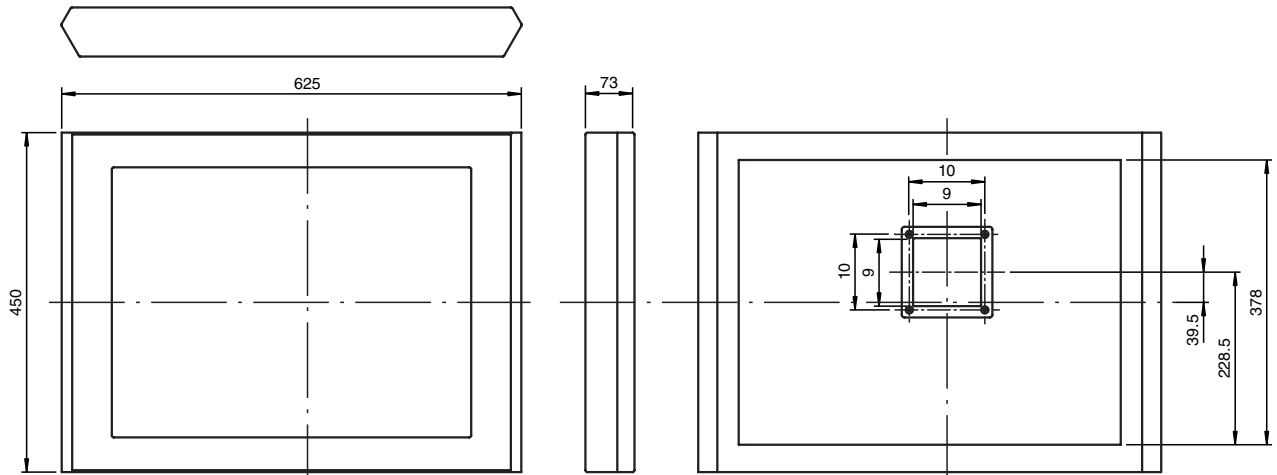
## Connection



- A Serial interface RS 232 (COM3)
- B 4x USB (2x USB reserved for keyboard/mouse connection)
- C 2x Network RJ-45
- D Serial interface RS 232 (COM1)
- E Ground connection (M4)
- F Power supply socket AC / DC
- G Connection barcode handheld (COM6)

<b>General specifications</b>	
Type	Panel PC
<b>Hardware</b>	
Processor	1.6 GHz Intel® Atom™
RAM	2 GB
Mass storage	80 GByte Solid State Drive
<b>Supply</b>	
Rated voltage	24 V DC or 115 V AC / 230 V AC
Input voltage range	20 ... 30 V DC or 90 ... 240 V AC
Power consumption	max. 80 W
<b>Indicators/operating means</b>	
Display	
Type	TFT, LCD
Screen diagonal	55.9 cm (22")
Resolution	1680 x 1050 pixel
Color depth	16.7 Mio. (24 bit, true color)
Contrast	1000:1
Brightness	300 cd/m <sup>2</sup>
Life span	50.000 h @ 25 °C
Input devices	Analog resistive touchscreen (optional) , Keyboard with integrated mouse functionality: optical trackball/touchpad/joystick versions available
<b>Electrical specifications</b>	
Inrush current	max. 100 A @ 240 VAC approx. 0,5 ms
<b>Interface</b>	
Interface type	2x RS 232 2x USB 2x USB (for keyboard/mouse connection) 2x Network RJ45
<b>Software</b>	
Operating system	Windows XP Professional / Windows 7 Ultimate FES
<b>Ambient conditions</b>	
Ambient temperature	0 ... 45 °C (32 ... 113 °F)
Altitude	... 2000 m above MSL (version AC)
<b>Mechanical specifications</b>	
Protection degree	IP65
Material	
Surface	stainless steel 1.4301 / AISI 304
Surface quality	R <sub>a</sub> ≤ 0.8 µm
Mounting type	slim line housing several mounting types (pedestal, wall bracket, wall arm - each turnable or fix) available
Mass	approx. 13 kg
Dimensions	625 mm x 450 mm x 73 mm
<b>Compliance with standards and directives</b>	
Standard conformity	
Electrical safety	EN 60950-1 Class I equipment

**Dimensions**



**Accessories**

- PSCAN-D-1\*-F2-\*
- Barcode reader
- VisuNet GMP\*

**Type code VisuNet GMP PC219**

Monitor Type	Screen Type	Protection	Board specification	Power supply	Housing frontplate version	Keyboard housing	Keyboard Mouse version	Keyboard Layout	Accessories	Options
<b>Monitor Type, Display size</b>										
<b>PC219</b>	Panel-PC 19"									
<b>PC222</b>	Panel-PC 22"									
<b>Screen Type</b>										
<b>E</b>	antiglare class front									
<b>T</b>	Touch screen resistive									
<b>Protection</b>										
<b>GP</b>	Industrial, non-ex version									
<b>Board Specification</b>										
<b>P7</b>	Intel Atom 1.6 GHz, 2GB RAM, 80GB SSD, Windows XP prof. SP3 multilingual									
<b>P8</b>	Intel Atom 1,6 GHz, 2GB RAM, 80 GB SSD, Windows 7 Ultimate FES, multilingual									
<b>Power supply</b>										
<b>DC</b>	24 V DC									
<b>AC</b>	115/230 V AC									
<b>Housing frontplate version</b>										
<b>SL2N</b>	Slim-Line stainless steel housing									
<b>Keyboard housing</b>										
<b>N</b>	no keyboard & mouse housing									
<b>R</b>	Keyboard & mouse housing, stainless steel									
<b>C</b>	Keyboard & mouse housing, tiltable 90° -180°, stainless steel									
<b>Keyboard / Mouse version</b>										
<b>K0</b>	No keyboard									
<b>K4</b>	Foil keyboard with touchpad									
<b>K6</b>	Foil keyboard with joystick									
<b>K8</b>	Foil keyboard with optical trackball									
<b>Keyboard Layout</b>										
<b>L0</b>	No keyboard									
<b>DE</b>	Keyboard Layout German									
<b>US</b>	Keyboard Layout US-international									
<b>FR</b>	Keyboard Layout French									
<b>XX</b>	More Keyboard layouts by request									
<b>Special accessories</b>										
<b>S0</b>	no special accessories									
<b>S3</b>	Wired barcode reader									
<b>A3</b>	Radio barcode reader (on project basis)									
<b>Options</b>										
<b>N</b>	No options									

Release date 2013-01-18 10:05 Date of issue 2013-01-18 t151490\_eng.xml