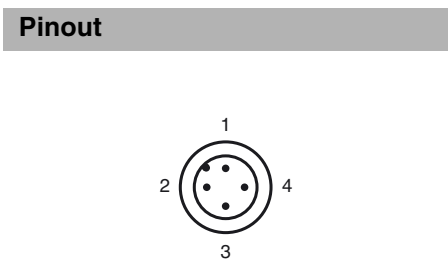
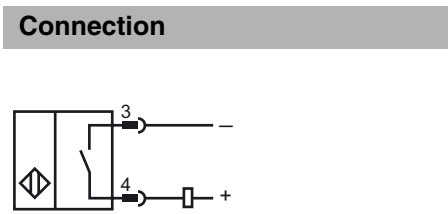




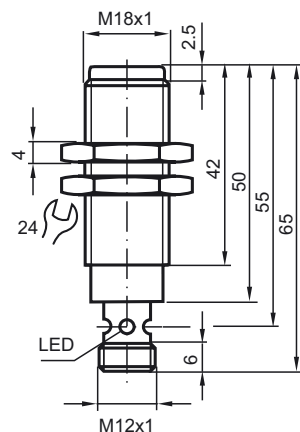
Model Number
NMB10-18GM65-Z9-V1

- Features**
- 10 mm flush
 - Stainless steel sensing face
 - Increased operating distance



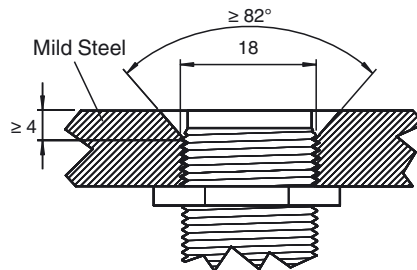
- Accessories**
- V1-G-2M-PUR**
Cable socket, M12, 4-pin, PUR cable
 - V1-W-2M-PUR**
Cable socket, M12, 4-pin, PUR cable
 - AB-18**
Mounting aid

Dimensions



Technical Data

General specifications		
Switching element function		DC NO
Rated operating distance	s_n	10 mm
Installation		flush (Requirements: see drawing below)
Output polarity		DC
Assured operating distance	s_a	0 ... 8.1 mm
Actuating element		Ferrous and nonferrous targets
Reduction factor r_{Al}		0.4
Reduction factor r_{Cu}		0.25
Reduction factor r_{304}		0.85
Reduction factor r_{Si37}		1
Nominal ratings		
Operating voltage	U_B	6 ... 30 V DC
Switching frequency	f	200 Hz
Hysteresis	H	5 ... 15 typ. 10 %
Reverse polarity protection		reverse polarity protected
Short-circuit protection		pulsing
Voltage drop	U_d	< 3 V
Operating current	I_L	2 ... 200 mA
Off-state current	I_r	≤ 400 μA
Operating voltage display		LED, yellow
Indication of the switching state		LED, yellow
Standard conformity		
Standards		EN 60947-5-2:2007 IEC 60947-5-2:2007
Ambient conditions		
Ambient temperature		-25 ... 70 °C (-13 ... 158 °F)
Mechanical specifications		
Connection type		Device connector M12 x 1 , 4-pin
Housing material		Stainless steel 1.4305 / AISI 303
Sensing face		Stainless steel 1.4305 / AISI 303
Protection degree		IP67 / IP68 / IP69K - cordset dependent according to cable specification
Approvals and certificates		
UL approval		cULus Listed, General Purpose
CSA approval		cCSAus Listed, General Purpose
CCC approval		Products with a maximum operating voltage of ≤36 V do not bear a CCC marking because they do not require approval.



Sensor face is flush with mounting surface.

Release date: 2012-12-13 14:34 Date of issue: 2012-12-13 912735_eng.xml