



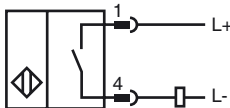
Model Number

NMB15-30GM55-Z4-C-300MM-V1

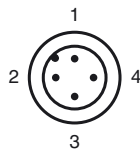
Features

- 15 mm flush
- Stainless steel sensing face
- Increased operating distance
- Weld Immune

Connection



Pinout



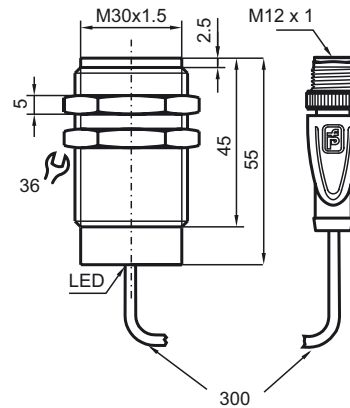
Wire colors in accordance with EN 60947-5-2

- | | | |
|---|----|---------|
| 1 | BN | (brown) |
| 2 | WH | (white) |
| 3 | BU | (blue) |
| 4 | BK | (black) |

Accessories

- V1-G-OR2M-POC**
Female cordset, M12, 4-pin, TPE cable, welding-bead resistant
- V1-G-2M-PUR**
Cable socket, M12, 4-pin, PUR cable
- V1-W-2M-PUR**
Cable socket, M12, 4-pin, PUR cable
- AB-30**
Mounting aid
- AB-30-L3M-C**
Mounting aid

Dimensions



Technical Data

General specifications

Switching element function	DC	NO
Rated operating distance	s_n	15 mm
Installation	flush (Requirements: see drawing below)	
Output polarity	DC	
Assured operating distance	s_a	0 ... 12.15 mm
Actuating element	Ferrous and nonferrous targets	
Reduction factor r_{Al}	0.4	
Reduction factor r_{Cu}	0.2	
Reduction factor r_{304}	0.85	
Reduction factor r_{Si37}	1	

Nominal ratings

Operating voltage	U_B	6 ... 30 V
Switching frequency	f	5 Hz
Hysteresis	H	5 ... 15 typ. 10 %
Reverse polarity protection	yes	
Short-circuit protection	yes	
Voltage drop	U_d	< 3 V DC
Operating current	I_L	2 ... 100 mA
Off-state current	I_r	< 400 μ A
Mag. Field strength, AC fields	250 mT	
Mag. Field strength, DC fields	250 mT	

Indicators/operating means

Operating display	LED, red output
-------------------	-----------------

Ambient conditions

Ambient temperature	0 ... 70 °C (32 ... 158 °F)
---------------------	-----------------------------

Mechanical specifications

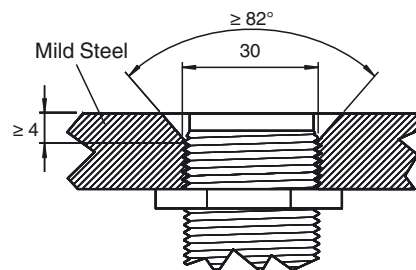
Connection type	Cable connector M12 x 1, 4-pin with TPE cable, 300 mm
Housing material	Xylan coated - Stainless steel 1.4305 / AISI 303
Sensing face	Xylan coated - Stainless steel 1.4305 / AISI 303
Protection degree	IP67 / IP68 / IP69K - cordset dependent according to cable specification

Compliance with standards and directives

Standard conformity	
Standards	EN 60947-5-2:2007 IEC 60947-5-2:2007

Approvals and certificates

UL approval	cULus Listed, General Purpose
CSA approval	cCSAus Listed, General Purpose
CCC approval	Products with a maximum operating voltage of ≤ 36 V do not bear a CCC marking because they do not require approval.



Sensor face is flush with mounting surface.

Release date: 2012-12-13 14:34 Date of issue: 2012-12-13 912723_eng.xml