



Model Number

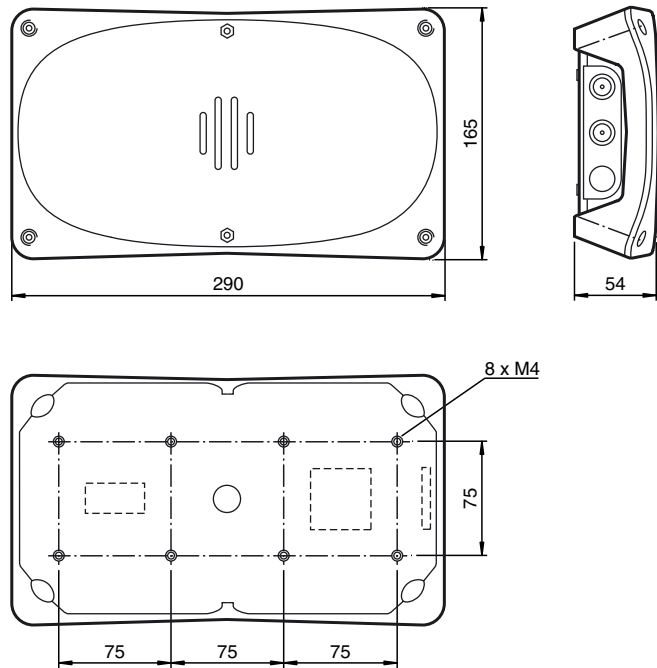
MTT6000-F120-B12-V45-MON

Read/write device

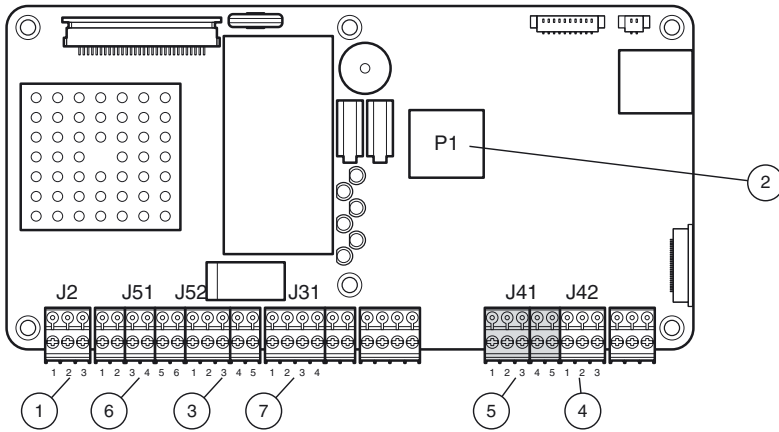
Features

- Serial interfaces RS 232 and RS 485
- Ethernet interface with TCP/IP
- Frequency hopping (FHSS)
- Integrated buzzer
- Protection degree IP65
- 93 Fixed frequency channels
- Long read range, 6 m
- Multi-tag capability

Dimensions

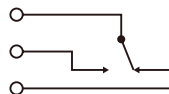


Electrical connection



1 Relay Output Standard Type A

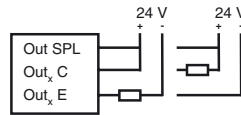
Pin	Label	Description
1	RCOM	Relay common
2	ROPEN	Normally Open contact
3	RCLOSE	Normally Closed contact



2 Ethernet TCP/IP RJ45 Standard T586A

3 Isolated Outputs

Pin	Label	Description
1	OUT 1C	Output 1 +
2	OUT 1E	Output 1 -
3	OUT SPL	Power for circuit
4	OUT 2C	Output 2 +
5	OUT 2E	Output 2 -



4 RS 232 Serial Communication Interface

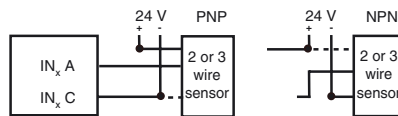
Pin	Label	Description
1	TX	Transmitted data (from Device to Host)
2	RX	Received data (from Host to Device)
3	GND	Ground

5 RS 485 Serial Communication Interface

Pin	Label	Description	Label	Description
1	TX+	Transmitted data (from Device to Host)	TX/RX+	Transmitted/Received data
2	TX-	Transmitted data (from Device to Host)	TX/RX-	
3	GND	Ground	GND	Ground
4	RX+	Received data (from Host to Device)	n.c.	Not used
5	RX-	Received data (from Host to Device)	n.c.	

6 Isolated Inputs

Pin	Label	Description
1	IN 1A	Input 1 +
2	IN 1C	Input 1 -
3	IN 2A	Input 2 +
4	IN 2C	Input 2 -
5	IN 3A	Input 3 +
6	IN 3C	Input 3 -



7 Power Supply

Pin	Signal	Description
1,3	SPL	Positive DC supply input
2,4	RTN SPL	Negative DC supply input

Technical data

General specifications

Description	Stand alone read head, 2.45 GHz, read distance up to 6 m, write distance up to .25 m
Operating frequency	2.402 ... 2.482 GHz Frequency Hopping (FHSS) 2.400 ... 2.484 GHz
Polarization	circular
Transfer rate	read: , 16 kBit/s write: 4 kBit/s
Emitted power	10 mW
Operating distance	Read 0.5 ... 6 m Write 0.25 m

Memory

Type/Size	Flash 16 MByte RAM 32 MByte
-----------	--------------------------------

Indicators/operating means

Function

The read/write device MTT6000-F120-B12-V45-MON establishes a link between the code/data carriers of the RFID system MT and a higher-level computer (such as an industrial PC or PLC). The read/write device communicates with the computer via the interfaces Ethernet (TCP/IP), RS 232 or RS 485 (2 or 4 wire). The maximum range for reading in the frequency range 2.45 GHz is 6 m and the maximum write range is .25 m.

In addition to offering many innovative functions, this read/write device also features frequency hopping (FHSS). This function enables the read/write device to "jump" between frequencies within the specified frequency band. This significantly reduces communication interference, especially when several read/write devices are used in close proximity to one another.

The read/write device can partition the specified frequency band into 93 different channels, thus making it compatible with older systems.

The system is also multi-tag capable, i.e. several code or data carriers are identified within the field without interference.

Four operating modes allow for complete application flexibility. Configurable parameters allow for fixed data length, hardware and software triggering, and optional heartbeat.

This hardware has been equipped with a relay output, 3 optocoupler inputs, and 2 open collector outputs.

The status of the read/write device is indicated by several integrated LEDs and a buzzer.

For further information, please refer to the system and device manuals.

Accessories

RTS-UP-4

Ethernet DeviceServer

RTS-UP-1

Ethernet DeviceServer

MTM-C1

Data carrier

MTM-C2

Data carrier

MTO-C1

Code carrier

MTO-C2

Code carrier

MTA-MH09

Mounting aid

LED green/yellow/red	controllable per software	
Electrical specifications		
Rated operational voltage	U_e	10 ... 30 V DC
Current consumption		at 24 V: 150 mA at 12 V: 500 mA
Interface		
Physical	Ethernet	
Protocol	TCP/IP	
Transfer rate	10/100 MBit/s	
Interface 1		
Physical	RS 232	
Protocol	ASCII	
Transfer rate	1.2 kBit/s ... 115.2 kBit/s standard setting: 9.6 kBit/s	
Interface 2		
Physical	RS 485: full- (4-wire) or half-duplex (2-wire)	
Protocol	ASCII	
Transfer rate	1.2 kBit/s ... 115.2 kBit/s standard setting: 9.6 kBit/s	
Input		
Optocoupler	3 inputs	
Input level	ON: ≥ 2.4 V , max. 30 V OFF: ≥ 0 V , max. 0.2 V	
Output		
Electronic	output 1: open-collector; 1 ... 30 V DC, max. 500 mA output 2: open-collector; 1 ... 30 V DC, max. 100 mA	
Relay	switching current ≤ 2 A; $P_{max} = 50$ W switching voltage ≤ 60 V DC; 30 V AC	
Ambient conditions		
Ambient temperature	-20 ... 60 °C (-4 ... 140 °F)	
Storage temperature	-20 ... 60 °C (-4 ... 140 °F)	
Mechanical specifications		
Protection degree	IP65	
Material	PC-PBT	
Mass	3 kg	
Dimensions	290 mm x 165 mm x 56 mm (W x H x D)	
Compliance with standards and directives		
Directive conformity	R&TTE Directive 1995/5/EC EN 60950, IEC 60215, ETS 300683, ETS 300440	
Standard conformity	Protection degree EN 60529	