



Model Number

RL61-LL-IR-Z/92/136

Fiber optic sensor
with 4-pin, M12 x 1 connector

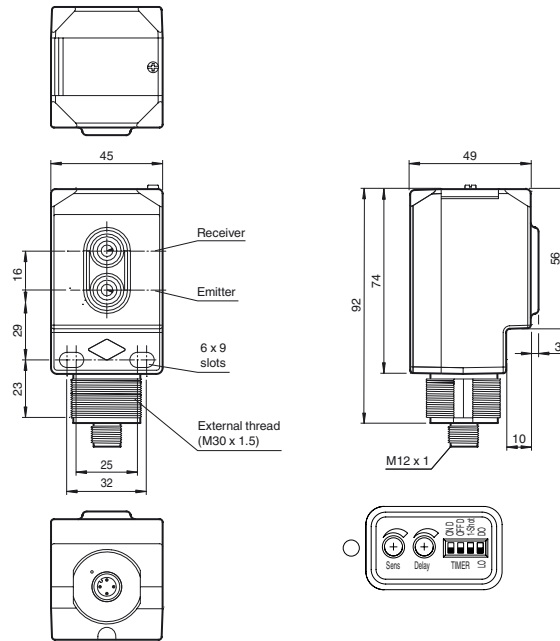
Features

- Cost-optimized series for standard tasks in a special design
- Compact design
- Wide range of mounting options thanks to cubic housing design with M30 thread
- 360° high visibility LEDs
- Programmable ON-delay, OFF-delay, and One-shot timers
- 4-in-1 output (push-pull)
- Version with infrared light
- Includes universal fiber adapter kit

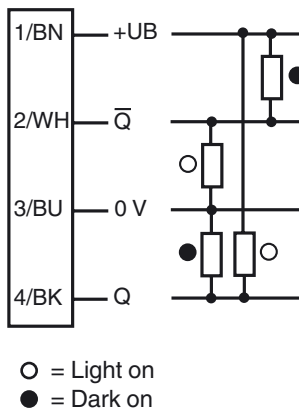
Product information

The Series 61 sensor family is a comprehensive product line, offering five sensing modes. Each sensor is equipped with four LEDs that are highly visible from all directions, indicating Power-On, target presence and marginal excess gain. The widely recognized, polycarbonate housing provides a IP67 protection degree rating. Color-coded labels are clearly printed on the housing to easily identify the sensing mode. DC models offer a 4-in-1 output while AC/DC models have a SPDT relay output rated to 3 A. All versions come standard with an integral multifunction timer, sensitivity adjustment and Light-ON/Dark-ON switch. Series 61 sensors are cross-talk protected and have a high degree of resistance to ambient lighting. Each sensor can be mounted via front and rear slots, rear dovetail guide or M30 x 1.5 mounting base. Additionally, cabled sensor models provide 1/2" - 14 NPT internal threads for use with flexible conduit.

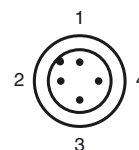
Dimensions



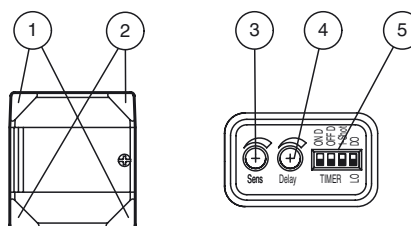
Electrical connection



Pinout



Indicators/operating means



1	Operating display	green
2	Signal display	yellow
3	Sensing range adjuster	
4	Time adjuster	
5	DIP-switches	

Release date: 2013-01-14 15:19 Date of issue: 2013-01-14 911630_eng.xml

Subject to modifications without notice

Pepperl+Fuchs Group
www.pepperl-fuchs.com

USA: +1 330 486 0001
fa-info@us.pepperl-fuchs.com

Germany: +49 621 776-4411
fa-info@pepperl-fuchs.com

Copyright Pepperl+Fuchs
Singapore: +65 6779 9091
fa-info@sg.pepperl-fuchs.com

Technical data**General specifications**

Detection range	Dependent on fibers selected
Light source	IRED
Light type	modulated infrared light , 850 nm
Ambient light limit	5000 Lux ; according EN 60947-5-2

Indicators/operating means

Operating display	2 LEDs green
Function display	2 LEDs yellow ON: object inside the sensing range OFF: object outside the sensing range
Controls	Light/Dark switch
Controls	Detection range adjuster
Controls	Time adjuster (0 ... 50 ms)

Electrical specifications

Operating voltage	U_B	10 ... 30 V DC
Ripple		10 %
No-load supply current	I_0	≤ 35 mA
Protection class		II , rated voltage ≤ 250 V AC with pollution degree 1-2 according to IEC 60664-1 Output circuit basis insulation of input circuit according to EN 50178, rated insulation voltage 240 V AC

Output

Switching type	light/dark on, switchable	
Signal output	2 push-pull (4 in 1) outputs, short-circuit protected, reverse polarity protected	
Switching voltage	max. 30 V DC	
Switching current	max. 100 mA	
Voltage drop	U_d	≤ 2.5 V
Switching frequency	f	500 Hz
Response time		≤ 1 ms
Timer function		DIP-switch for selection of operating modes

Ambient conditions

Ambient temperature	-40 ... 55 °C (-40 ... 131 °F)
Storage temperature	-40 ... 70 °C (-40 ... 158 °F)

Mechanical specifications

Protection degree	IP67
Connection	connector M12 x 1, 4-pin
Material	
Housing	PC (Polycarbonate)
Optical face	PMMA
Mass	120 g

Compliance with standards and directives

Standard conformity	
Product standard	EN 60947-5-2:2007 IEC 60947-5-2:2007

Approvals and certificates

UL approval	cULus
CCC approval	Products with a maximum operating voltage of ≤36 V do not bear a CCC marking because they do not require approval.

Accessories**MPGKITC**

Fiber cable adapter kit

MPZB01

Mounting bracket with vertical slots

MPZB02

Mounting bracket with circular slots

MPZB06

Ball and Swivel Mounting Bracket

MPZB07

Ball and Swivel Vertical Mounting Plate

V1-G-2M-PUR

Cable socket, M12, 4-pin, PUR cable

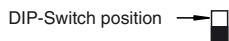
V1-W-2M-PUR

Cable socket, M12, 4-pin, PUR cable

Other suitable accessories can be found at www.pepperl-fuchs.com

Timer Functions

Switching Type	Detection Status	Operation Mode	Light Received	No Light Received
L.ON				
OFF ON ON D OFF D 1-Shot DO Timer LO	No Delay (Timer OFF)		ON	OFF
OFF ON ON D OFF D 1-Shot DO Timer LO	ON Delay		ON	OFF
OFF ON ON D OFF D 1-Shot DO Timer LO	OFF Delay		ON	OFF
OFF ON ON D OFF D 1-Shot DO Timer LO	One-Shot Delay		ON	OFF
OFF ON ON D OFF D 1-Shot DO Timer LO	ON Delay and OFF Delay		ON	OFF
D.ON				
OFF ON ON D OFF D 1-Shot DO Timer LO	No Delay (Timer OFF)		ON	OFF
OFF ON ON D OFF D 1-Shot DO Timer LO	ON Delay		ON	OFF
OFF ON ON D OFF D 1-Shot DO Timer LO	OFF Delay		ON	OFF
OFF ON ON D OFF D 1-Shot DO Timer LO	One-Shot Delay		ON	OFF
OFF ON ON D OFF D 1-Shot DO Timer LO	ON Delay and OFF Delay		ON	OFF



Time (T) is adjustable from 0 to 50 ms

Release date: 2013-01-14 15:19 Date of issue: 2013-01-14 911630_eng.xml