



Model Number

RLK61-LL-IR-Z/31/115

Fiber optic sensor
with fixed cable

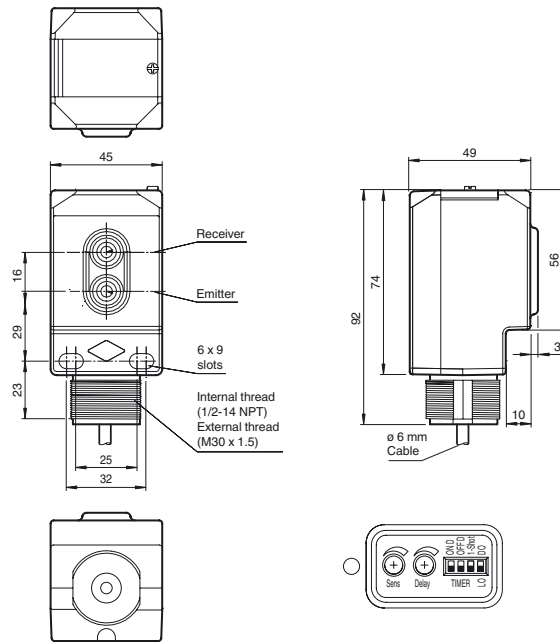
Features

- Cost-optimized series for standard tasks in a special design
- Compact design
- Wide range of mounting options thanks to cubic housing design with M30 thread
- 360° high visibility LEDs
- Programmable ON-delay, OFF-delay, and One-shot timers
- Version for universal voltages
- Relay output
- Includes universal fiber adapter kit

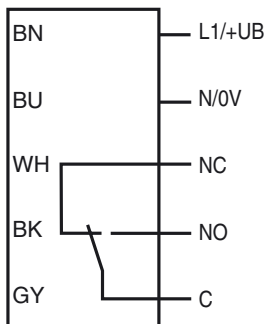
Product information

The Series 61 sensor family is a comprehensive product line, offering five sensing modes. Each sensor is equipped with four LEDs that are highly visible from all directions, indicating Power-On, target presence and marginal excess gain. The widely recognized, polycarbonate housing provides a IP67 protection degree rating. Color-coded labels are clearly printed on the housing to easily identify the sensing mode. DC models offer a 4-in-1 output while AC/DC models have a SPDT relay output rated to 3 A. All versions come standard with an integral multifunction timer, sensitivity adjustment and Light-ON/Dark-ON switch. Series 61 sensors are cross-talk protected and have a high degree of resistance to ambient lighting. Each sensor can be mounted via front and rear slots, rear dovetail guide or M30 x 1.5 mounting base. Additionally, cabled sensor models provide 1/2" - 14 NPT internal threads for use with flexible conduit.

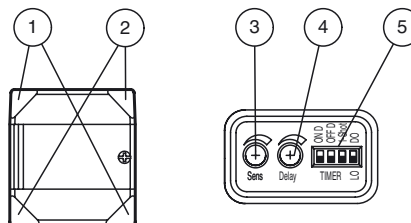
Dimensions



Electrical connection



Indicators/operating means



| | | |
|---|------------------------|--------|
| 1 | Operating display | green |
| 2 | Signal display | yellow |
| 3 | Sensing range adjuster | |
| 4 | Time adjuster | |
| 5 | DIP-switches | |

Release date: 2013-01-15 10:09 Date of issue: 2013-01-15 911627_eng.xml

Subject to modifications without notice

Pepperl+Fuchs Group
www.pepperl-fuchs.com

USA: +1 330 486 0001
fa-info@us.pepperl-fuchs.com

Germany: +49 621 776-4411
fa-info@pepperl-fuchs.com

Copyright Pepperl+Fuchs
Singapore: +65 6779 9091
fa-info@sg.pepperl-fuchs.com

Technical data**General specifications**

| | |
|---------------------|-----------------------------------|
| Detection range | Dependent on fibers selected |
| Light source | IREL |
| Light type | modulated infrared light , 850 nm |
| Ambient light limit | 5000 Lux ; according EN 60947-5-2 |

Indicators/operating means

| | |
|-------------------|---|
| Operating display | 2 LEDs green |
| Function display | 2 LEDs yellow ON: object inside the scanning range OFF: object outside the scanning range |
| Controls | Light/Dark switch |
| Controls | Detection range adjuster |
| Controls | Time adjuster (0 ... 10 s) |

Electrical specifications

| | | |
|------------------------|-------|--|
| Operating voltage | U_B | 24 ... 240 V AC 12 ... 240 V DC |
| No-load supply current | I_0 | ≤ 35 mA |
| Protection class | | II , rated voltage ≤ 250 V AC with pollution degree 1-2 according to IEC 60664-1 Output circuit basis insulation of input circuit according to EN 50178, rated insulation voltage 240 V AC |
| Power consumption | P_0 | ≤ 2 VA |

Output

| | |
|---------------------|---|
| Switching type | light/dark on, switchable |
| Signal output | Relay, Form C |
| Switching voltage | max. 250 V AC/DC |
| Switching current | max. 3 A |
| Switching power | DC: max. 50 W AC: max. 500 VA |
| Switching frequency | f 20 Hz |
| Response time | ≤ 25 ms |
| Timer function | DIP-switch for selection of operating modes |

Ambient conditions

| | |
|---------------------|--------------------------------|
| Ambient temperature | -40 ... 55 °C (-40 ... 131 °F) |
| Storage temperature | -40 ... 70 °C (-40 ... 158 °F) |

Mechanical specifications

| | |
|-------------------|--------------------|
| Protection degree | IP67 |
| Connection | fixed cable |
| Material | |
| Housing | PC (Polycarbonate) |
| Optical face | PMMA |
| Mass | 240 g |

Compliance with standards and directives

| | |
|---------------------|---|
| Standard conformity | |
| Product standard | EN 60947-5-2:2007 IEC 60947-5-2:2007 |

Approvals and certificates

| | |
|--------------|---|
| UL approval | cULus |
| CCC approval | Certified by China Compulsory Certification (CCC) |

Accessories**MPGKITC**

Fiber cable adapter kit

MPZB01

Mounting bracket with vertical slots

MPZB02

Mounting bracket with circular slots

MPZB06

Ball and Swivel Mounting Bracket

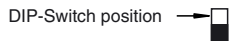
MPZB07

Ball and Swivel Vertical Mounting Plate

Other suitable accessories can be found at www.pepperl-fuchs.com

Timer Functions

| Switching Type | Detection Status | Operation Mode | Light Received | No Light Received |
|---|------------------------|----------------|----------------|-------------------|
| L.ON | | | | |
| OFF ON ON D OFF D Timer LO 1-Shot DO | No Delay (Timer OFF) | | ON | OFF |
| OFF ON ON D OFF D Timer LO 1-Shot DO | ON Delay | | ON | OFF |
| OFF ON ON D OFF D Timer LO 1-Shot DO | OFF Delay | | ON | OFF |
| OFF ON ON D OFF D Timer LO 1-Shot DO | One-Shot Delay | | ON | OFF |
| OFF ON ON D OFF D Timer LO 1-Shot DO | ON Delay and OFF Delay | | ON | OFF |
| D.ON | | | | |
| OFF ON ON D OFF D Timer LO 1-Shot DO | No Delay (Timer OFF) | | ON | OFF |
| OFF ON ON D OFF D Timer LO 1-Shot DO | ON Delay | | ON | OFF |
| OFF ON ON D OFF D Timer LO 1-Shot DO | OFF Delay | | ON | OFF |
| OFF ON ON D OFF D Timer LO 1-Shot DO | One-Shot Delay | | ON | OFF |
| OFF ON ON D OFF D Timer LO 1-Shot DO | ON Delay and OFF Delay | | ON | OFF |



Time (T) is adjustable from 0 to 10 sec

Release date: 2013-01-15 10:09 Date of issue: 2013-01-15 911627_eng.xml

Subject to modifications without notice

Pepperl+Fuchs Group
www.pepperl-fuchs.com

USA: +1 330 486 0001
fa-info@us.pepperl-fuchs.com

Germany: +49 621 776-4411
fa-info@pepperl-fuchs.com

Copyright Pepperl+Fuchs

Singapore: +65 6779 9091
fa-info@sg.pepperl-fuchs.com