



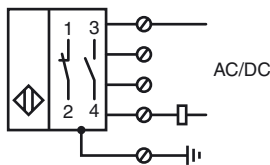
**Model Number**

NEN40+U4+U

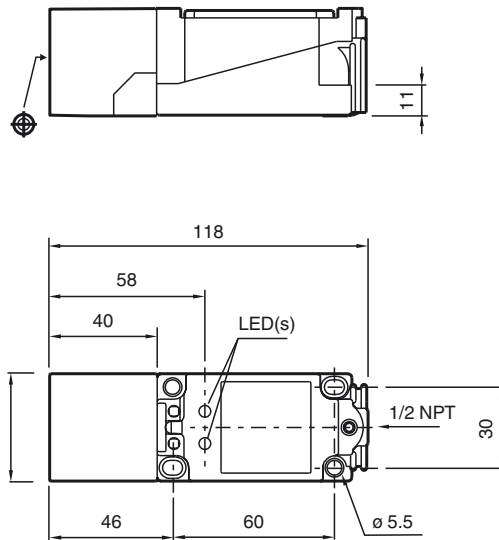
**Features**

- 40 mm non-flush
- 2-wire AC/DC
- 5-way quick pivot sensing head rotates for sense direction
- Surface mount

**Connection**



**Dimensions**



**Technical Data**

**General specifications**

Switching element function	AC/DC	NO/NC
Rated operating distance	$s_n$	40 mm
Installation		non-flush
Assured operating distance	$s_a$	0 ... 32.4 mm
Reduction factor $r_{Al}$		0.4
Reduction factor $r_{304}$		0.65

**Nominal ratings**

Operating voltage DC		20 ... 300 V
Operating voltage AC		20 ... 250 V
Switching frequency	$f$	200 Hz VDC / 30 Hz VAC
Hysteresis	$H$	3 ... 15 typ. 5 %
Reverse polarity protected		reverse polarity protected
Short-circuit protection		pulsing
Voltage drop	$U_d$	$\leq 8$ V
Momentary current (20 ms, 0.1 Hz)		$\leq 3000$ mA
Operating current	$I_L$	3 ... 400 mA
Current consumption		$< 1.7$ mA
Off-state current	$I_r$	$< 1.7$ mA

**Indicators/operating means**

LED green	Power on
LED yellow	output
LED green/yellow	Short circuit/overload indication

**Ambient conditions**

Ambient temperature	-25 ... 70 °C (-13 ... 158 °F)
Storage temperature	-25 ... 85 °C (-13 ... 185 °F)

**Mechanical specifications**

Connection type	screw terminals
Core cross-section	up to 2.5 mm <sup>2</sup>
Housing material	PBT/metal
Sensing face	PBT
Housing base	metal
Protection degree	IP68
Note	1) In the temperature range below 0 °C, permissible operating voltage $U_b$ 80...253 V Safety fuse $\leq 2$ A (quick-blow) according to IEC 60127-2 Sheet 1 Recommendation: after a short circuit, check that the device is functioning correctly.

**General information**

Supplementary information	Connection selectable as normally open or normally closed operation. Only wire one output per device.
---------------------------	--

**Compliance with standards and directives**

Standard conformity	
Standards	EN 60947-5-2:2007 IEC 60947-5-2:2007

**Approvals and certificates**

UL approval	cULus Listed, General Purpose
CSA approval	cCSAus Listed, General Purpose

Release date: 2012-05-08 11:48 Date of issue: 2012-05-08 910577\_eng.xml