



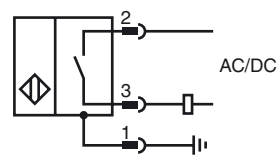
Model Number

NBB20-L3M-US-V12

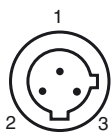
Features

- 20 mm embeddable
- 2-wire AC/DC
- 2-corner LED, metal base & mount

Connection



Pinout



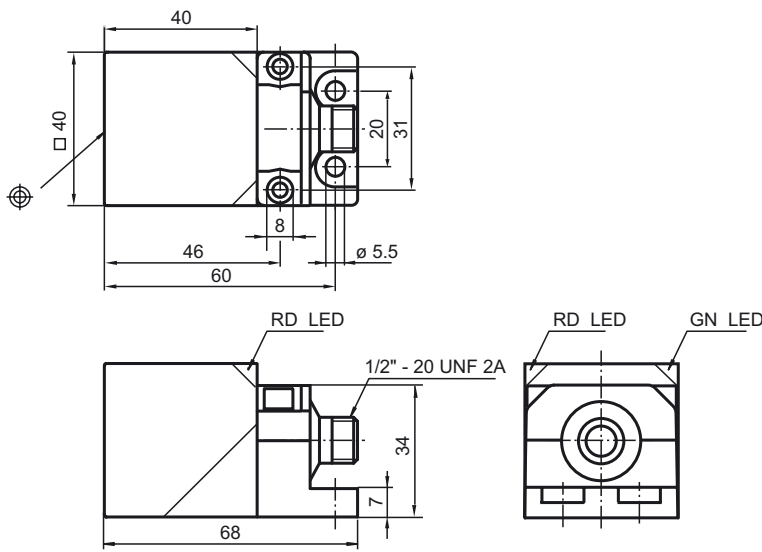
Wire colors

1	GN	(green)
2	RD/BK	(red/black)
3	RD/WH	(red/white)

Accessories

- V12-W-YE2M-PUR-H/S**
Connecting cable, 1/2" - 20 UNF, 3-pin, irradiated PUR cable
- MHW 01**
Modular mounting bracket

Dimensions



Technical Data

General specifications			
Switching element function		AC/DC	NO
Rated operating distance	s_n	20 mm	
Installation		embeddable	
Output polarity		AC/DC	
Reduction factor r_{AI}		0.30 - 0.40	
Reduction factor r_{303}		0.60 - 0.80	
Nominal ratings			
Operating voltage	U_B	20 ... 250 V	AC/DC
Switching frequency	f	0 ... 30	Hz
Hysteresis	H	3 ... 15	typ. 10 %
Reverse polarity protected		reverse polarity protected	
Short-circuit protection		pulsing	
Voltage drop	U_d	≤ 7	V
Operating current	I_L	3 ... 300	mA
Off-state current	I_r	≤ 1.7	mA
Operating voltage display		LED, green	
Indication of the switching state		LED, red	
Indicators/operating means			
LED red/green		Short circuit/overload indication	
Ambient conditions			
Ambient temperature		-25 ... 70 °C	(-13 ... 158 °F)
Mechanical specifications			
Connection type		Device connector 1/2"-20 UN	, 3-pin
Housing material		metal - Zinc housing	
Sensing face		Thermoset Plastic	
Compliance with standards and directives			
Standard conformity		IEC 61000-4 / EN 60947-5-2:2004	
Approvals and certificates			
UL approval		cULus Listed, General Purpose	
CSA approval		cCSAus Listed, General Purpose	
CCC approval		Certified by China Compulsory Certification (CCC)	

Release date: 2011-07-22 15:55 Date of issue: 2011-07-22 910168_eng.xml