



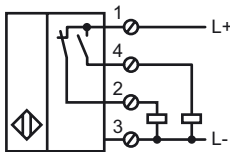
Model Number

NJ40+U2+A2

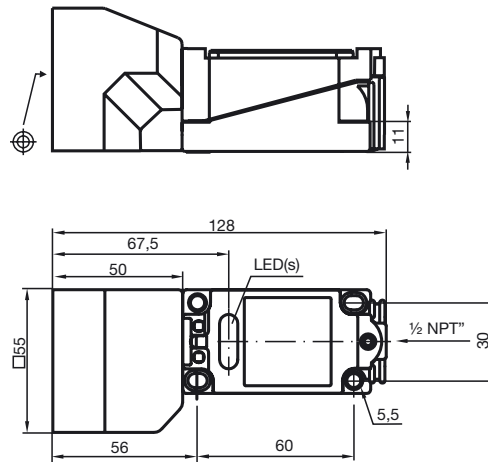
Features

- 4-wire DC
- Sensing range 40 mm

Connection



Dimensions



Technical Data

General specifications

Switching element function	PNP	NO/NC
Rated operating distance	s_n	40 mm
Installation	not embeddable	
Output polarity	DC	
Assured operating distance	s_a	0 ... 32.4 mm
Reduction factor r_{Al}	0.5	
Reduction factor r_{Cu}	0.45	
Reduction factor r_{V2A}	0.8	

Nominal ratings

Operating voltage	U_B	10 ... 60 V
Switching frequency	f	0 ... 100 Hz
Hysteresis	H	1 ... 10 typ. 5 %
Reverse polarity protected	yes	
Short-circuit protection	yes	
Voltage drop	U_d	≤ 2.8 V
Operating current	I_L	0 ... 200 mA
No-load supply current	I_0	≤ 10 mA
Operating voltage display	LED, green	
Indication of the switching state	LED, yellow	

Standard conformity

Standards	EN 60947-5-2:2007 IEC 60947-5-2:2007
-----------	---

Ambient conditions

Ambient temperature	-25 ... 70 °C (-13 ... 158 °F)
---------------------	--------------------------------

Mechanical specifications

Housing material	PBT
Sensing face	PBT
Protection degree	IP68

Approvals and certificates

UL approval	cULus Listed, General Purpose
CSA approval	cCSAus Listed, General Purpose
CCC approval	Certified by China Compulsory Certification (CCC)

Release date: 2010-11-30 23:15 Date of issue: 2010-11-30 909728_ENG.xml