



Model Number

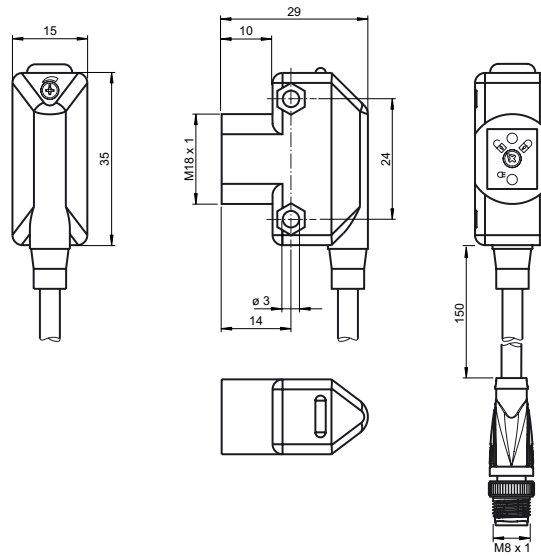
ML17-LL-K/115a/136

Fiber optic sensor
with fixed cable and 4-pin, M8 connector

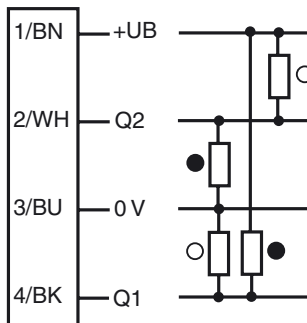
Features

- Miniature design
- Ultra bright LEDs for power on and switching state
- Quick attachment of plastic fiber optic cable
- Adjustable sensitivity
- Front mounting with M18-threads or side mounting holes
- Compact, versatile housing
- 360° visibility ultra bright status LEDs

Dimensions



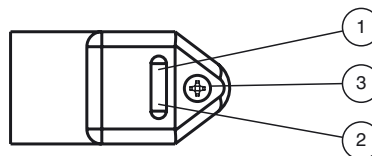
Electrical connection



Pinout



Indicators/operating means



| | | |
|---|------------------------|--------|
| 1 | Signal display | yellow |
| 2 | Operating display | green |
| 3 | Sensitivity adjustment | |

Release date: 2011-01-31 21:14 Date of issue: 2011-01-31 909470_ENG.xml

Subject to modifications without notice

Pepperl+Fuchs Group
www.pepperl-fuchs.com

USA: +1 330 486 0001
fa-info@us.pepperl-fuchs.com

Germany: +49 621 776-4411
fa-info@pepperl-fuchs.com

Copyright Pepperl+Fuchs
Singapore: +65 6779 9091
fa-info@sg.pepperl-fuchs.com

Technical data**General specifications**

| | |
|---------------------------|---|
| Effective detection range | depends on the fiber optic cable being used |
| Light source | LED |
| Light type | modulated visible red light , 670 nm |
| Ambient light limit | ≤ 10000 Lux |

Indicators/operating means

| | |
|-------------------|--|
| Operating display | LED green, statically lit : Power on green LED , flashing: Short circuit/overload indication |
| Function display | LED yellow, lights up when light beam is free, flashes when falling short of the stability control |
| Controls | sensitivity adjustment |

Electrical specifications

| | | |
|--------------------------------|-------|--------------------------|
| Operating voltage | U_B | 10 ... 30 V DC , class 2 |
| Ripple | | ± 10 % |
| No-load supply current | I_0 | < 25 mA |
| Time delay before availability | t_v | ≤ 100 ms |

Output

| | |
|-------------------|--|
| Switching type | light/dark on |
| Signal output | 2 Push-pull outputs, short-circuit protected, reverse polarity protection, overvoltage protected |
| Switching voltage | max. 30 V DC |
| Switching current | max 100 mA per output |

| | | |
|---------------------|-------|------------|
| Voltage drop | U_d | ≤ 2.5 V DC |
| Switching frequency | f | 500 Hz |
| Response time | | ≤ 1 ms |

Ambient conditions

| | |
|---------------------|-------------------------------|
| Ambient temperature | -20 ... 55 °C (-4 ... 131 °F) |
| Storage temperature | -20 ... 75 °C (-4 ... 167 °F) |

Mechanical specifications

| | |
|-------------------|--|
| Protection degree | IP67 |
| Connection | fixed cable 150 mm with M8 x 1 male connector, 4 pin |
| Material | |
| Housing | ABS |
| Optical face | Acrylic |
| Mass | 23 g |

Compliance with standards and directives

| | |
|---------------------|---|
| Standard conformity | |
| Product standard | EN 60947-5-2:2007 IEC 60947-5-2:2007 |

Approvals and certificates

| | |
|-------------|-------|
| UL approval | cULus |
|-------------|-------|

Accessories

OMH-ML17
Mounting bracket

OMH-ML17-1
Mounting bracket

Additional accessories can be found in the Internet.