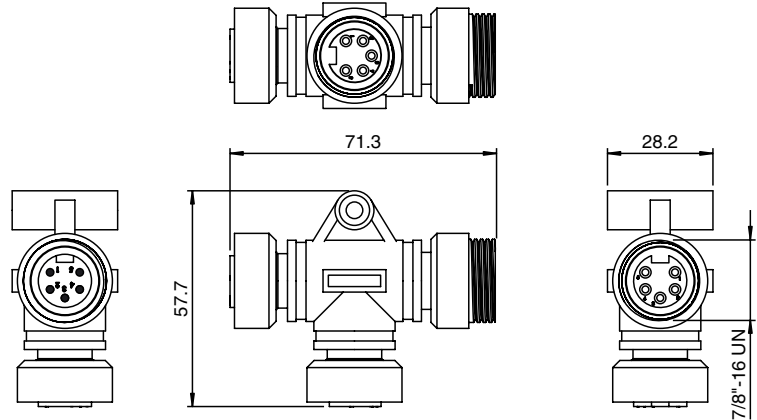




**Dimensions**



**Model Number**

**DNV95-G-0M-T-0M-V95-G-L**

T-Distributor for DeviceNet

**Technical data**

**General specifications**

Number of poles 5

**Electrical specifications**

Operating voltage max. 300 V

Operating current max. 8 A

**Ambient conditions**

Ambient temperature -40 ... 105 °C (233 ... 378 K)

**Mechanical specifications**

Connection 2 x socket 7/8"-16 UN  
1 x socket 7/8"-16 UN

**Material**

Contacts CuZn, gold-plated

Handle PVC, yellow

**Electrical connection**

