

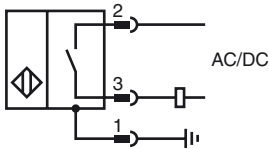
Model Number

NBB20-L3M-US-C3-V93

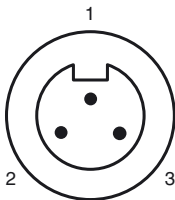
Features

- Sensing range 20 mm
- Weld Immune
- 2-corner LED, metal base & mount
- 2-wire AC/DC

Connection



Pinout



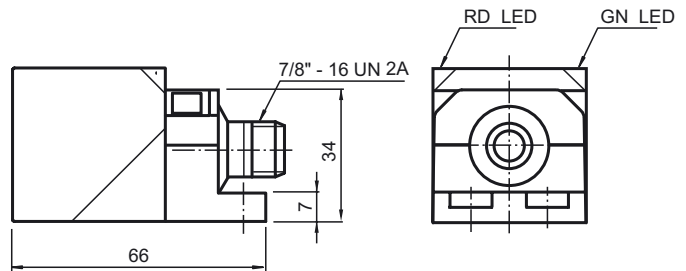
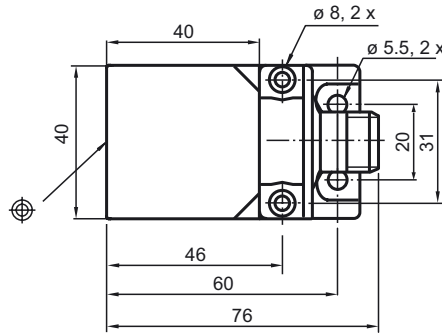
Wire colors

1	GN
2	BK
3	WH

Accessories

V93-G-YE2M-STOOW
Female connector, 7/8" - 16 UNF, 3-pin, PUR cable

Dimensions



Technical Data

General specifications

Switching element function	AC/DC normally open
Rated operating distance	s_n 20 mm
Installation	embeddable
Output polarity	AC/DC
Assured operating distance	s_a 0 ... 16.2 mm
Reduction factor r_{A1}	0.30 - 0.40
Reduction factor r_{V2A}	0.60 - 0.80

Nominal ratings

Operating voltage	U_B 20 ... 250 V AC/DC
Switching frequency	f 2 Hz
Hysteresis	H 3 ... 15 typ. 10 %
Reverse polarity protected	reverse polarity protected
Short-circuit protection	pulsing
Voltage drop	U_d \leq 7 V
Operating current	I_L 3 ... 300 mA
Off-state current	I_r \leq 1.7 mA
No-load supply current	I_0 \leq 0.6 mA
Operating voltage display	LED, green
Indication of the switching state	LED, red

Indicators/operating means

LED red/green	Short circuit/overload indication
---------------	-----------------------------------

Ambient conditions

Ambient temperature	-25 ... 70 °C (-13 ... 158 °F)
Storage temperature	-40 ... 85 °C (-40 ... 185 °F)

Mechanical specifications

Connection type	Device connector 7/8"-16 UN , 3-pin
Housing material	Teflon coated zinc
Sensing face	Thermoset Plastic
Protection degree	IP67

Compliance with standards and directives

Standard conformity	Standards IEC 61000-4 / EN 60947-5-2:2004
---------------------	---

Approvals and certificates

UL approval	cULus Listed, General Purpose
CSA approval	cCSAus Listed, General Purpose
CCC approval	Certified by China Compulsory Certification (CCC)

Release date: 2011-02-11 14:18 Date of issue: 2011-02-11 908752_ENG.xml