



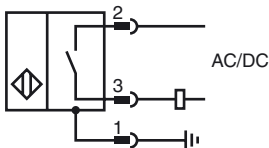
Model Number

NBB20-L3M-US-C3-V12

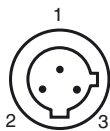
Features

- Sensing range 20 mm
- Weld Immune
- 2-corner LED, metal base & mount

Connection



Pinout



Wire colors

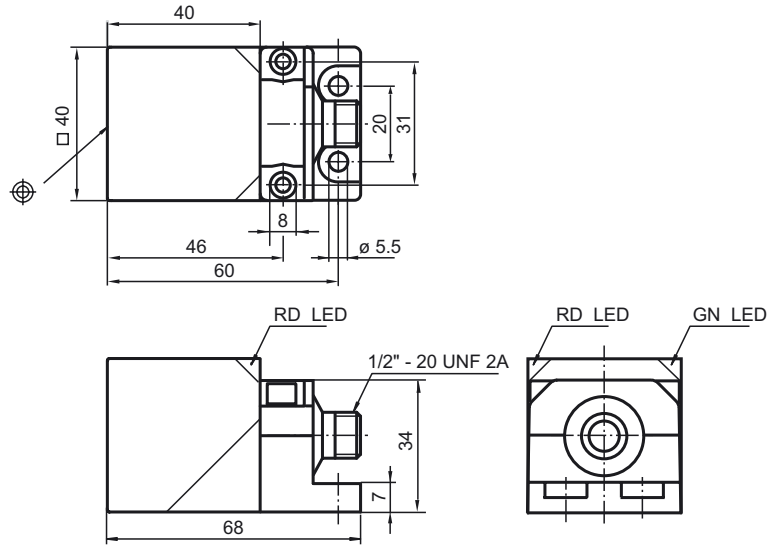
- | | | |
|---|--|-------|
| 1 | | GN |
| 2 | | RD/BK |
| 3 | | RD/WH |

Accessories

V12-W-YE2M-PUR-H/S

Connecting cable, 1/2" - 20 UNF, 3-pin, irradiated PUR cable

Dimensions



Technical Data

General specifications

Switching element function		AC/DC	NO
Rated operating distance	s_n	20 mm	
Installation		embeddable	
Output polarity		AC/DC	
Assured operating distance	s_a	0 ... 16.2 mm	
Reduction factor r_{A1}		0.30 - 0.40	
Reduction factor r_{V2A}		0.60 - 0.80	

Nominal ratings

Operating voltage	U_B	20 ... 250 V AC/DC
Switching frequency	f	2 Hz
Hysteresis	H	3 ... 15 typ. 10 %
Reverse polarity protected		reverse polarity protected
Short-circuit protection		pulsing
Voltage drop	U_d	≤ 7 V
Operating current	I_L	3 ... 300 mA
Off-state current	I_r	≤ 1.7 mA
No-load supply current	I_0	≤ 0.6 mA
Operating voltage display		LED, green
Indication of the switching state		LED, red

Indicators/operating means

LED red/green	Short circuit/overload indication
---------------	-----------------------------------

Ambient conditions

Ambient temperature	-25 ... 70 °C (-13 ... 158 °F)
Storage temperature	-40 ... 85 °C (-40 ... 185 °F)

Mechanical specifications

Connection type	Device connector 1/2"-20 UN , 3-pin
Housing material	Teflon coated zinc
Sensing face	Thermoset Plastic
Protection degree	IP67

Compliance with standards and directives

Standard conformity	
Standards	IEC 61000-4 / EN 60947-5-2:2004

Approvals and certificates

UL approval	cULus Listed, General Purpose
CSA approval	cCSAus Listed, General Purpose
CCC approval	Certified by China Compulsory Certification (CCC)

Release date: 2011-02-11 14:18 Date of issue: 2011-02-11 908751_ENG.xml