



CE

Model Number

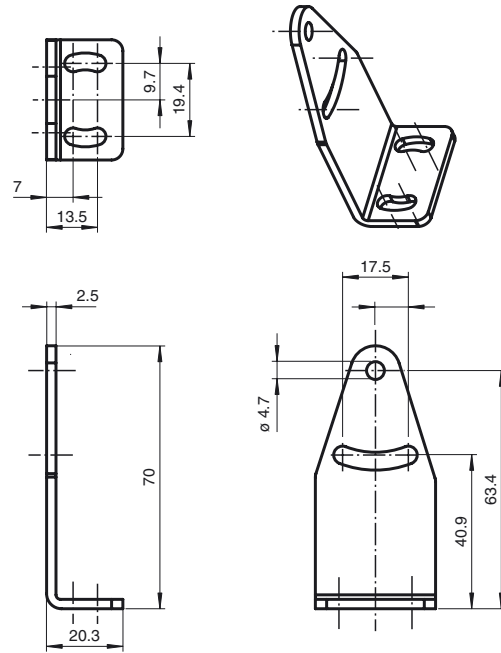
OMH-ML17-1

Mounting bracket

Features

- Mounting bracket
- Simple and fast mounting

Dimensions



Technical data

Mechanical specifications

Material	Stainless steel
Mounting	Mounting accessories included

Suitable series

Series	ML17
--------	------