



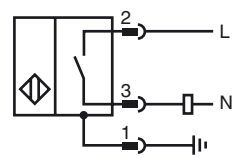
Model Number

NCN50-FP-W-P4-BHMS3-N.O.

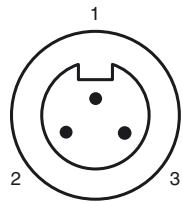
Features

- 50 mm not embeddable
- 2-wire AC
- Normally Open Output

Connection



Pinout



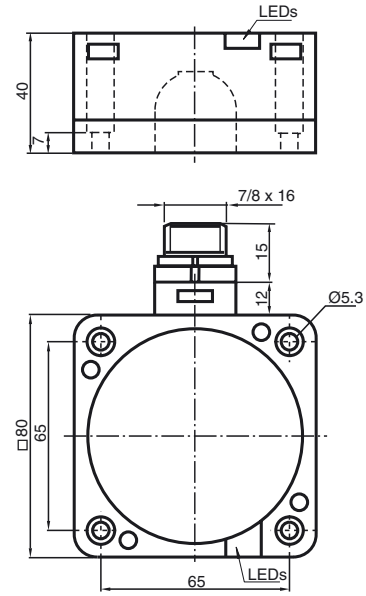
Wire colors

1	GN	(green)
2	BK	(black)
3	WH	(white)

Accessories

- V93-G-YE2M-STOOW**
Female connector, 7/8" - 16 UNF, 3-pin, PVC cable
- V93-G-YE4M-STOOW**
Female connector, 7/8" - 16 UNF, 3-pin, PVC cable

Dimensions



Technical Data

General specifications	
Switching element function	AC normally open
Rated operating distance	s_n 50 mm
Installation	not embeddable
Output polarity	AC
Assured operating distance	s_a 0 ... 40.5 mm
Reduction factor r_{AI}	0.4
Reduction factor r_{Cu}	0.3
Reduction factor r_{303}	0.85
Nominal ratings	
Operating voltage AC	20 ... 253 V
Switching frequency	f 0 ... 20 Hz
Hysteresis	H 3 ... 15 % 5 % typical
Voltage drop	U_d \leq 5 V
Momentary current (20 ms, 0.1 Hz)	\leq 4000 mA
Operating current	I_L 5 ... 500 mA
Off-state current	I_r 0.3 ... 1 mA typ. 0.7 mA
Operating voltage display	LED, green
Indication of the switching state	LED, yellow
Ambient conditions	
Ambient temperature	-25 ... 70 °C (-13 ... 158 °F)
Mechanical specifications	
Connection type	7/8"-16 UN , 3-pin
Housing material	PBT/base of metal
Sensing face	PBT
Housing base	metal
Protection degree	IP67
Note	1) In the temperature range below 0 °C, permissible operating voltage U_b 80...253 V Safety fuse \leq 2 A (quick-blow) according to IEC 60127-2 Sheet 1 Recommendation: after a short circuit, check that the device is functioning correctly.
Compliance with standards and directives	
Standard conformity	
Standards	EN 60947-5-2:2007 IEC 60947-5-2:2007
Approvals and certificates	
UL approval	cULus Listed, General Purpose
CSA approval	cCSAus Listed, General Purpose

Release date: 2011-10-20 18:26 Date of issue: 2011-10-20 908506_eng.xml