



**Model Number**

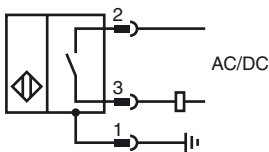
**NJ2-PD-US-2.875-V93**

Cylinder Position Switch

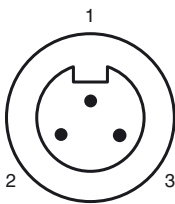
**Features**

- 2-wire AC/DC
- Weld Immune
- Sensing range 2 mm
- 3000 psi rating

**Connection**



**Pinout**



**Wire colors**

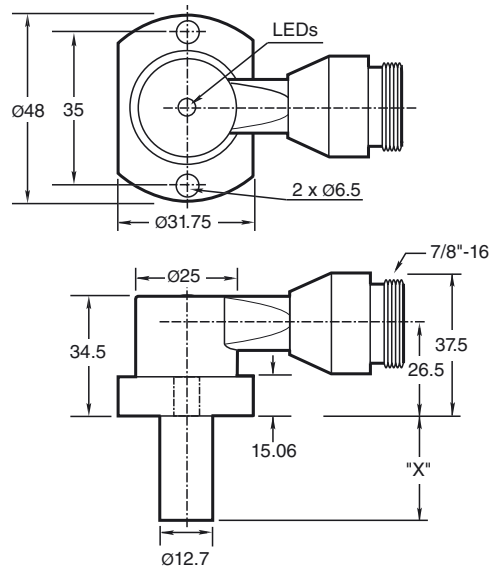
1	GN	(green)
2	BK	(black)
3	WH	(white)

**Accessories**

**V93-G-YE2M-STOOW**

Female connector, 7/8" - 16 UNF, 3-pin, PUR cable

**Dimensions**



**Technical Data**

**General specifications**

Switching element function		NO contact
Rated operating distance	$s_n$	2 mm
Installation		flush
Output polarity		AC/DC
Assured operating distance	$s_a$	0 ... 1.62 mm
Reduction factor $r_{A1}$		0.4
Reduction factor $r_{304}$		0.85

**Nominal ratings**

Operating voltage	$U_B$	20 ... 250 V AC/DC
Switching frequency	$f$	0 ... 20 Hz
Hysteresis	$H$	10 ... 20 % 15 typ.
Reverse polarity protection		yes
Short-circuit protection		yes
Voltage drop	$U_d$	$\leq 7$ V
Momentary current (20 ms, 0.1 Hz)		$\leq 3$ A
Operating current	$I_L$	8 ... 300 mA
Off-state current	$I_r$	$< 1.7$ mA
Mag. Field strength, AC fields		250 mT
Mag. Field strength, DC fields		100 mT

**Limit data**

Operating pressure dynamically		3000 psi
--------------------------------	--	----------

**Indicators/operating means**

LED green		Power on
LED red		Output status
LED red/green		Short circuit/overload indication

**Standard conformity**

Standards		EN 60947-5-2
-----------	--	--------------

**Ambient conditions**

Ambient temperature		-25 ... 70 °C (-13 ... 158 °F)
---------------------	--	--------------------------------

**Mechanical specifications**

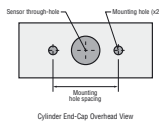
Connection type		Device connector 7/8"-16 UN , 3-pin
Protection degree		IP67
Material		Housing: zinc Probe: aluminum
Note		X = 2.875 in (73 mm)

**Approvals and certificates**

UL approval		cULus Listed, General Purpose
CSA approval		cCSAus Listed, General Purpose

Release date: 2012-11-22 10:01 Date of issue: 2012-11-22 906643\_eng.xml

**NPT Type Mounting Holes:**  
 1000 and 3000 psi NPT Types:  
 Mounting hole screw thread  
 shall be 1/4" - 20.  
 Minimum thread engagement  
 depth is 0.250" (6.35 mm)  
 Hole spacing is 35 mm  
 center to center.



**Mounting Screws:**  
 Standard 1000 and 3000 psi  
 models use two, self-locking 1/4"- 20 socket head cap  
 screws (provided).  
 Recommended tightening torque: 150 in lb (16.95 N-m).

**⚠ Important:** When using spacers, make  
 certain to maintain the 0.250" (6.35 mm) minimum  
 mounting screw thread engagement.