



Model Number

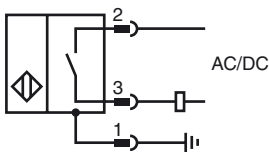
NJ2-PD-US-2.062-V93

Cylinder Position Switch

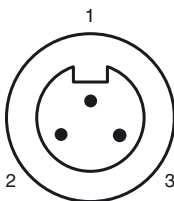
Features

- 2-wire AC/DC
- Weld Immune
- Sensing range 2 mm
- 3000 psi rating

Connection



Pinout



Wire colors

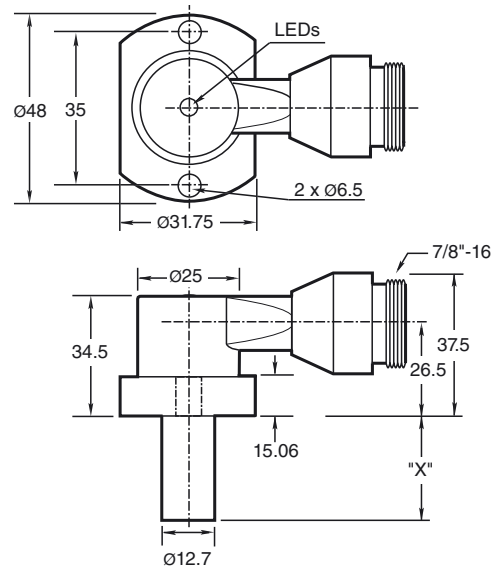
1	GN	(green)
2	BK	(black)
3	WH	(white)

Accessories

V93-G-YE2M-STOOW

Female connector, 7/8" - 16 UNF, 3-pin, PUR cable

Dimensions



Technical Data

General specifications

Switching element function		NO contact
Rated operating distance	s_n	2 mm
Installation		flush
Output polarity		AC/DC
Assured operating distance	s_a	0 ... 1.62 mm
Reduction factor r_{AI}		0.4
Reduction factor r_{304}		0.85

Nominal ratings

Operating voltage	U_B	20 ... 250 V AC/DC
Switching frequency	f	0 ... 20 Hz
Hysteresis	H	10 ... 20 % 15 typ.
Reverse polarity protection		yes
Short-circuit protection		yes
Voltage drop	U_d	≤ 7 V
Momentary current (20 ms, 0.1 Hz)		≤ 3 A
Operating current	I_L	8 ... 300 mA
Off-state current	I_r	< 1.7 mA
Mag. Field strength, AC fields		250 mT
Mag. Field strength, DC fields		100 mT

Limit data

Operating pressure dynamically		3000 psi
--------------------------------	--	----------

Indicators/operating means

LED green		Power on
LED red		Output status
LED red/green		Short circuit/overload indication

Standard conformity

Standards		EN 60947-5-2
-----------	--	--------------

Ambient conditions

Ambient temperature		-25 ... 70 °C (-13 ... 158 °F)
---------------------	--	--------------------------------

Mechanical specifications

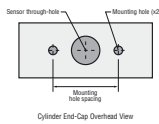
Connection type		Device connector 7/8"-16 UN , 3-pin
Protection degree		IP67
Material		Housing: zinc Probe: aluminum
Note		X = 2.062 in (52.4 mm)

Approvals and certificates

UL approval		cULus Listed, General Purpose
CSA approval		cCSAus Listed, General Purpose

Release date: 2012-11-22 10:01 Date of issue: 2012-11-22 906642_eng.xml

NPT Type Mounting Holes:
1000 and 3000 psi NPT Types:
Mounting hole screw thread
shall be 1/4" - 20.
Minimum thread engagement
depth is 0.250" (6.35 mm)
Hole spacing is 35 mm
center to center.



Mounting Screws:
Standard 1000 and 3000 psi
models use two, self-locking 1/4"- 20 socket head cap
screws (provided).
Recommended tightening torque: 150 in lb (16.95 N-m).

Important: When using spacers, make
certain to maintain the 0.250" (6.35 mm) minimum
mounting screw thread engagement.